

[54] TOY BARBECUE

D. 263,194 3/1982 Schwartz D7/109

[75] Inventors: Mel Appel, Nine Nottingham Rd., Livingston, N.J. 07039; George Kress, Scotch Plains, N.J.

OTHER PUBLICATIONS

Sears 1979 Xmas Cat., p. 525, Item 1, Toy Grill at top of page.

[73] Assignee: Mel Appel, Livingston, N.J.

Primary Examiner—Charles A. Rademaker
Attorney, Agent, or Firm—Lerner, David, Littenberg & Samuel

[**] Term: 14 Years

[21] Appl. No.: 284,067

[57] CLAIM

The design for a toy barbecue, substantially as shown and described.

[22] Filed: Jul. 16, 1981

[51] Int. Cl. D21-01

[52] U.S. Cl. D21/122

[58] Field of Search D21/59, 109, 120, 121, D21/122; D7/107-109; 46/1 R, 14

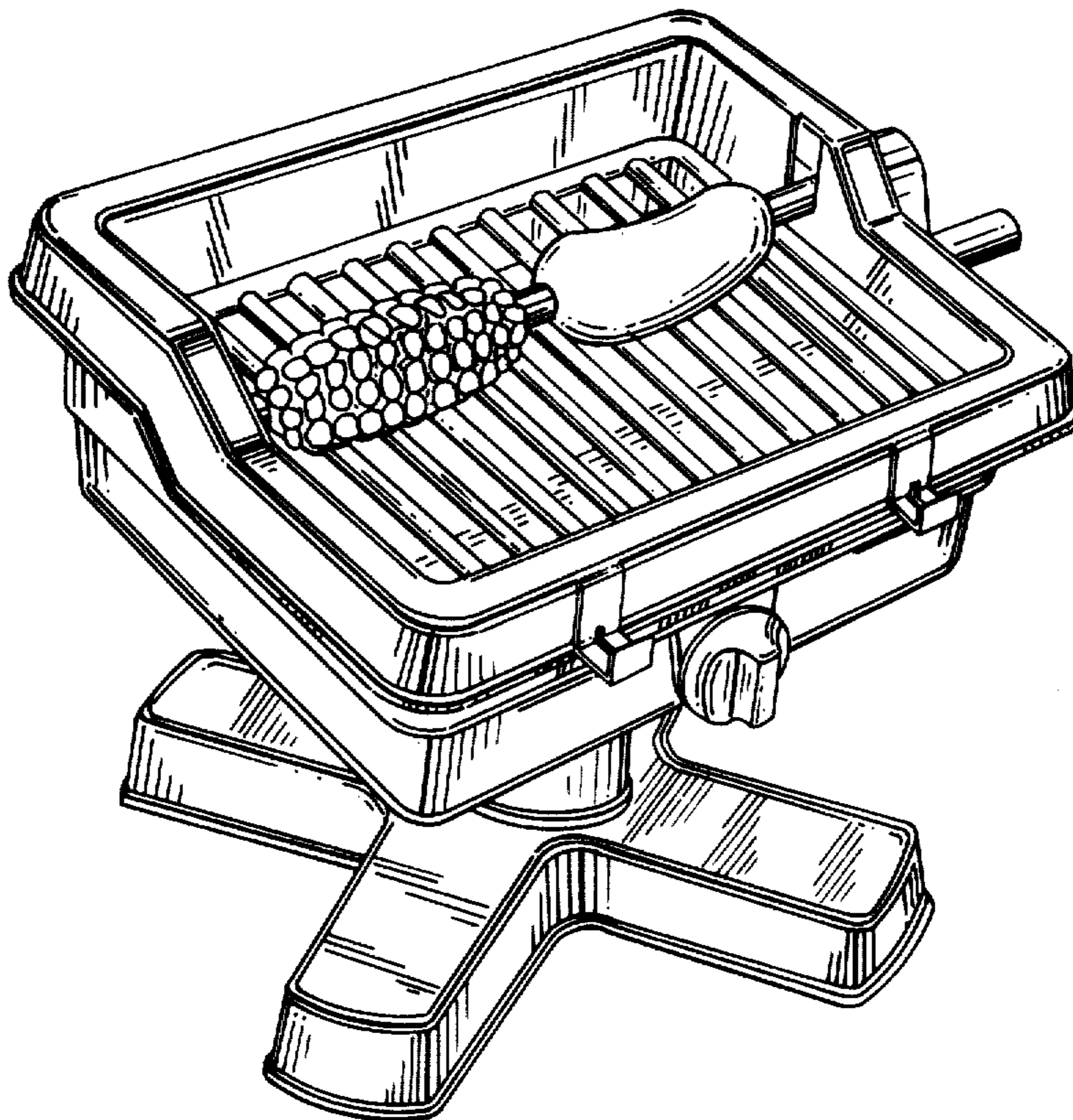
DESCRIPTION

FIG. 1 is a perspective view of a toy barbecue showing our new design;
FIG. 2 is a front elevational view thereof;
FIG. 3 is a right side elevational view thereof;
FIG. 4 is a left side elevational view thereof;
FIG. 5 is a rear elevational view thereof;
FIG. 6 is a top plan view thereof; and
FIG. 7 is a bottom plan view thereof.

[56] References Cited

U.S. PATENT DOCUMENTS

- D. 206,976 2/1967 Koziol D7/109
- D. 212,373 10/1968 Utrecht D21/122
- D. 219,081 10/1970 Koziol D7/109



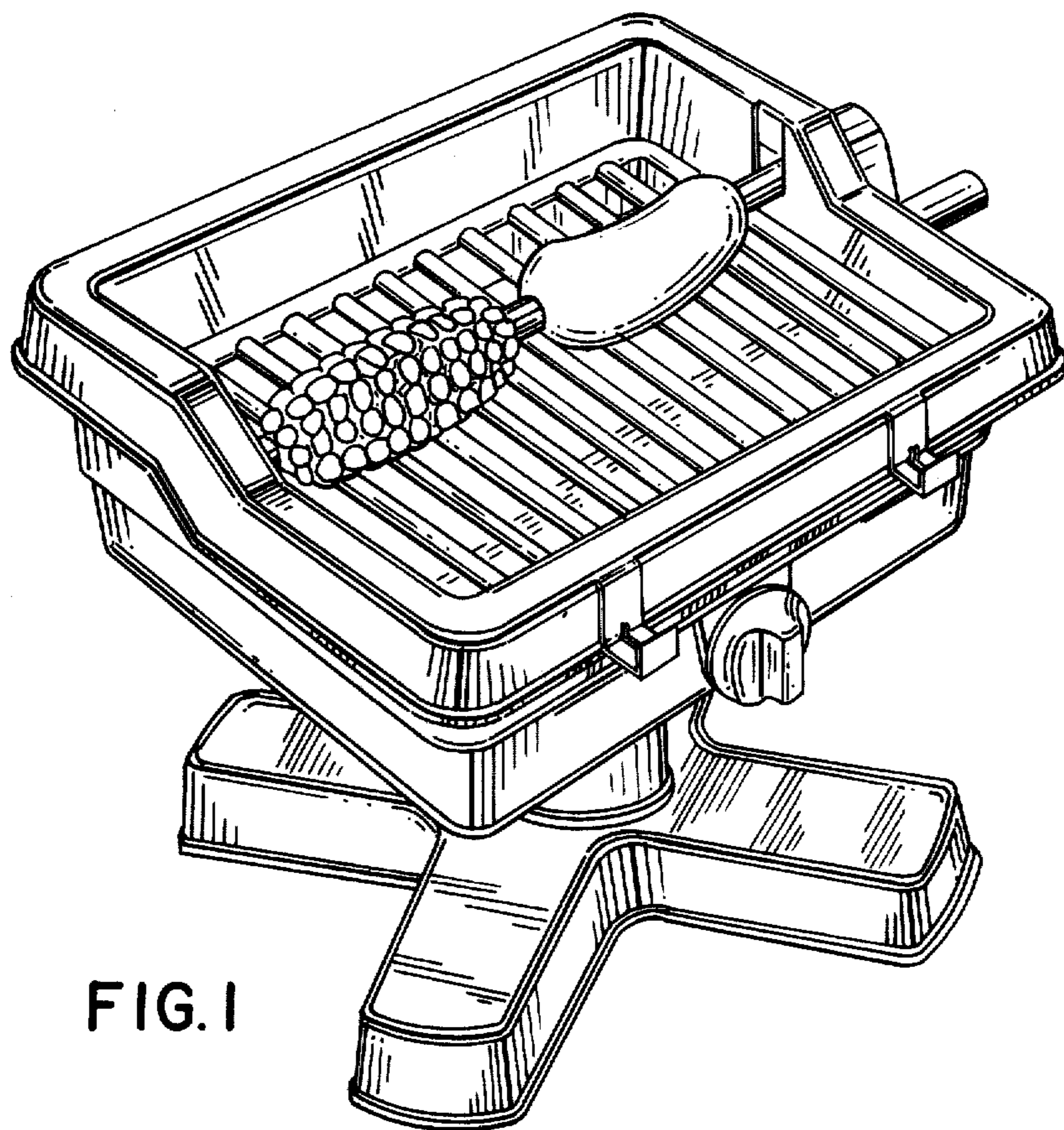


FIG. 1

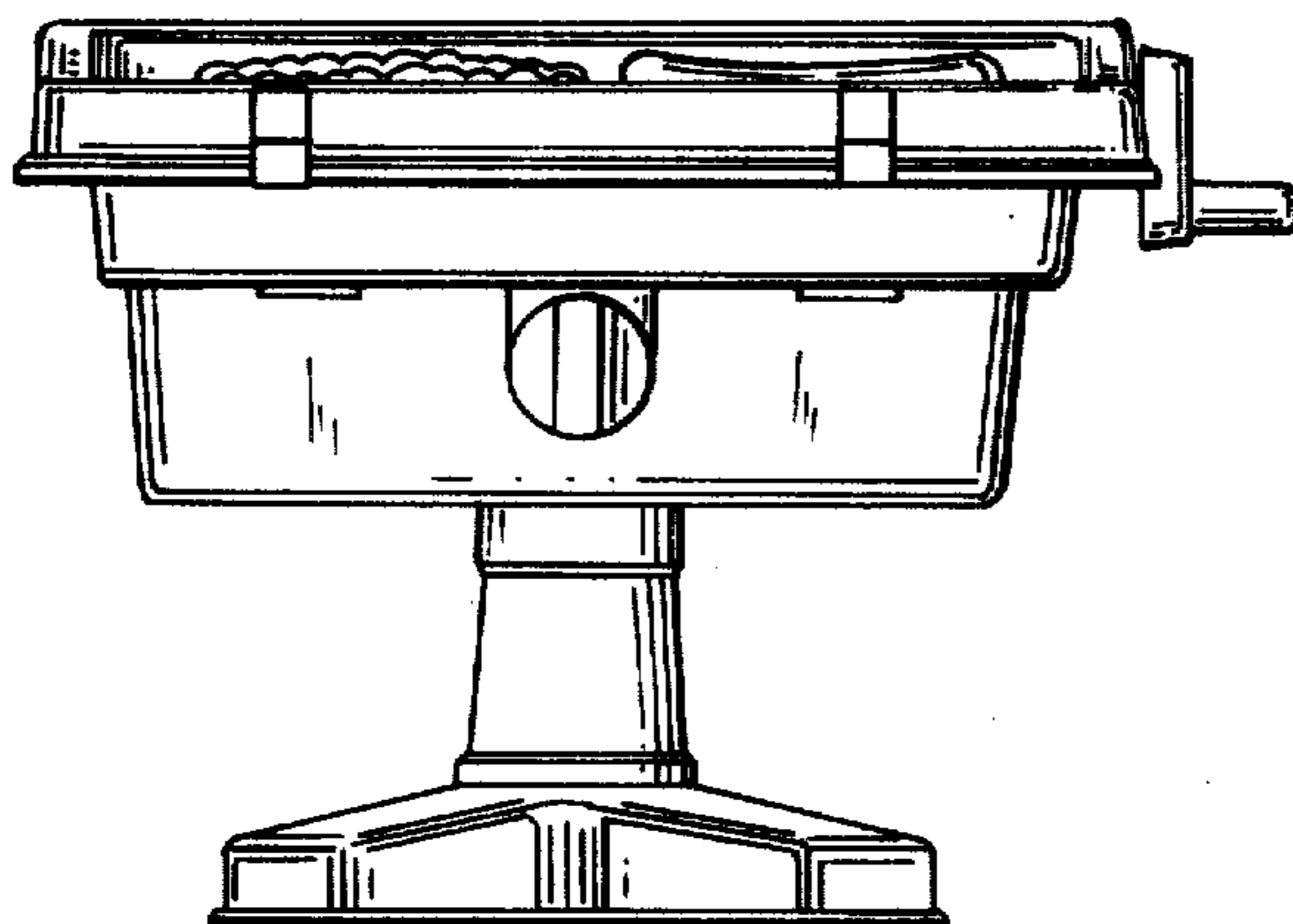


FIG. 2

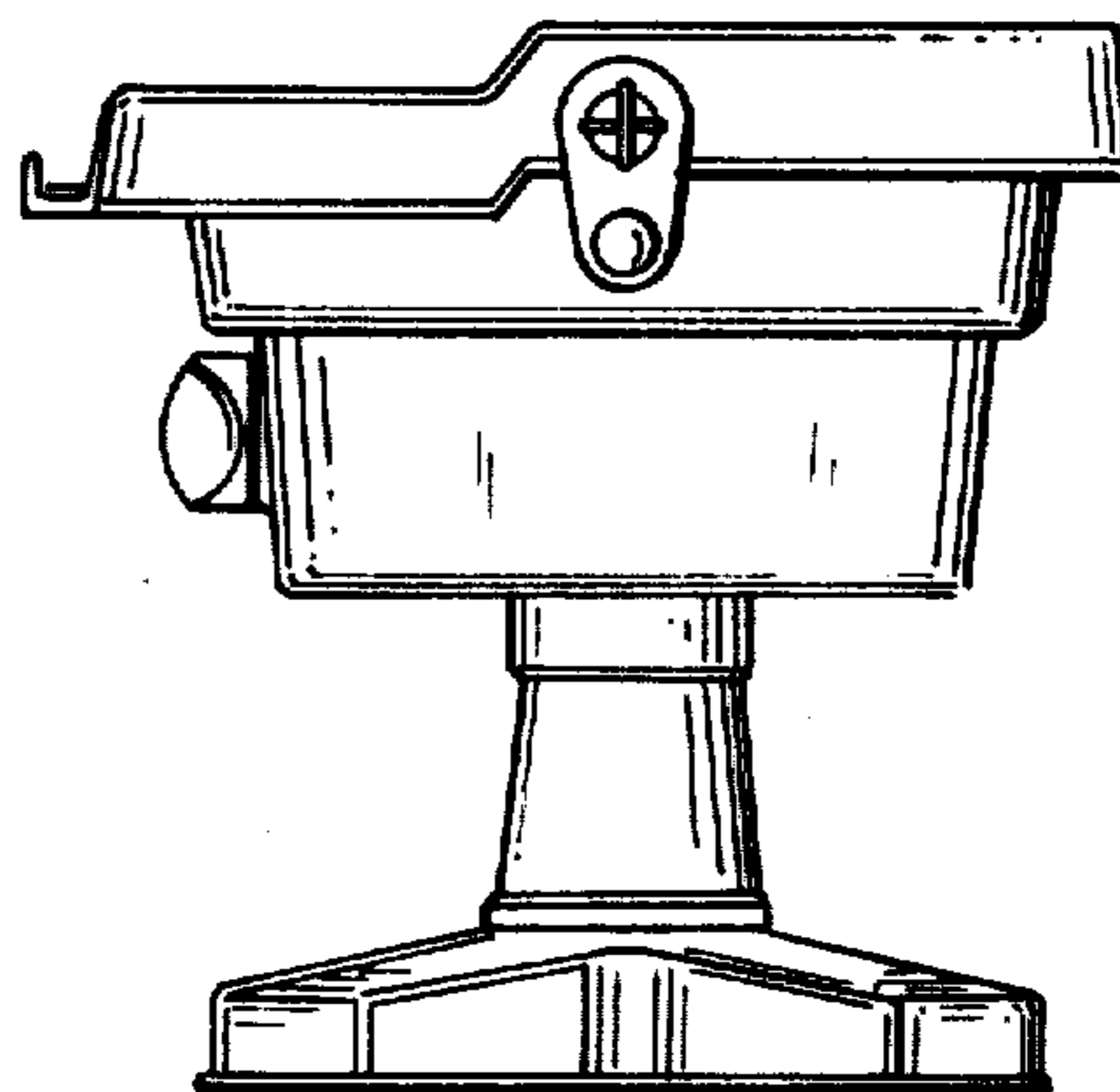


FIG. 3

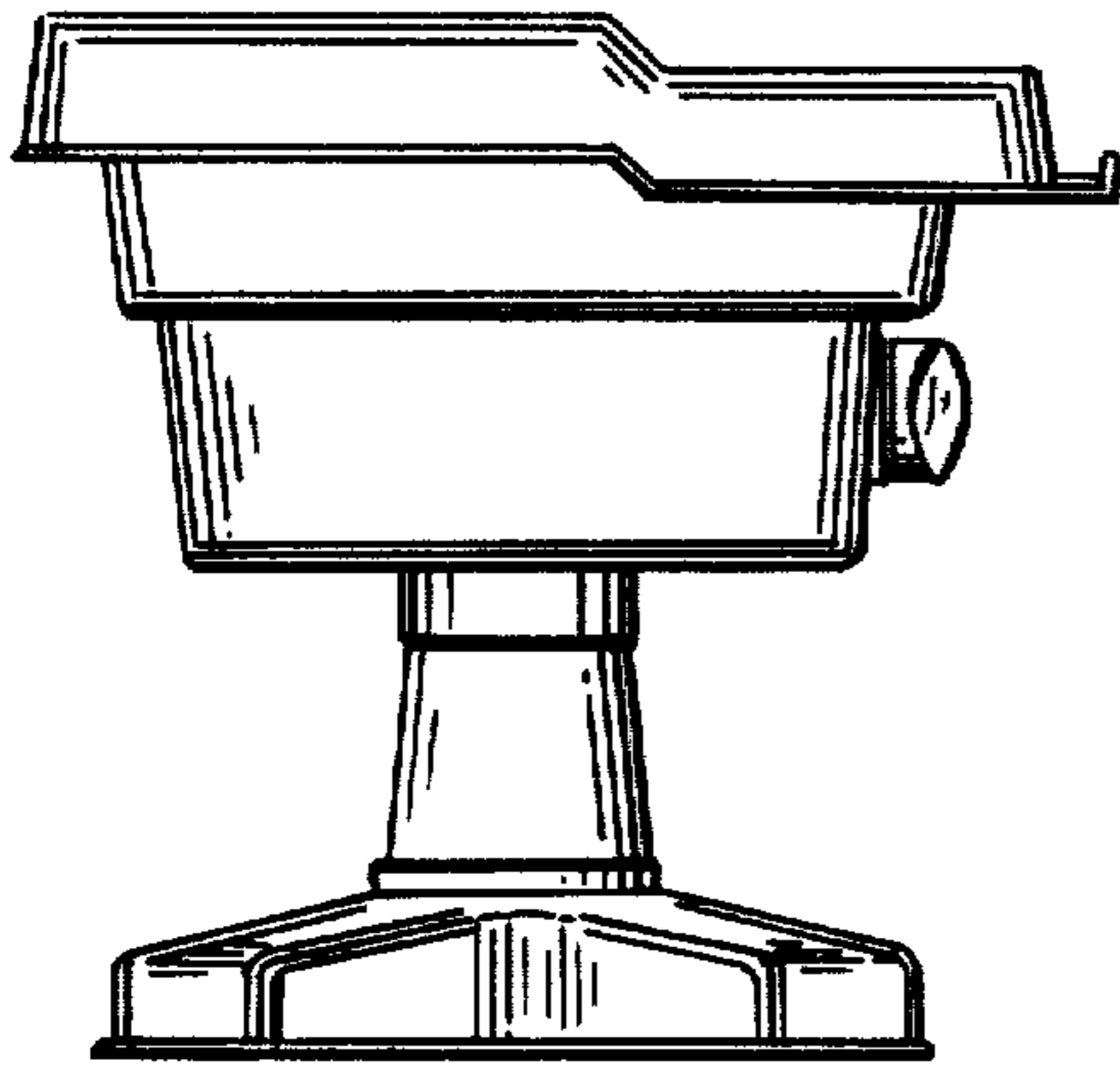


FIG. 4

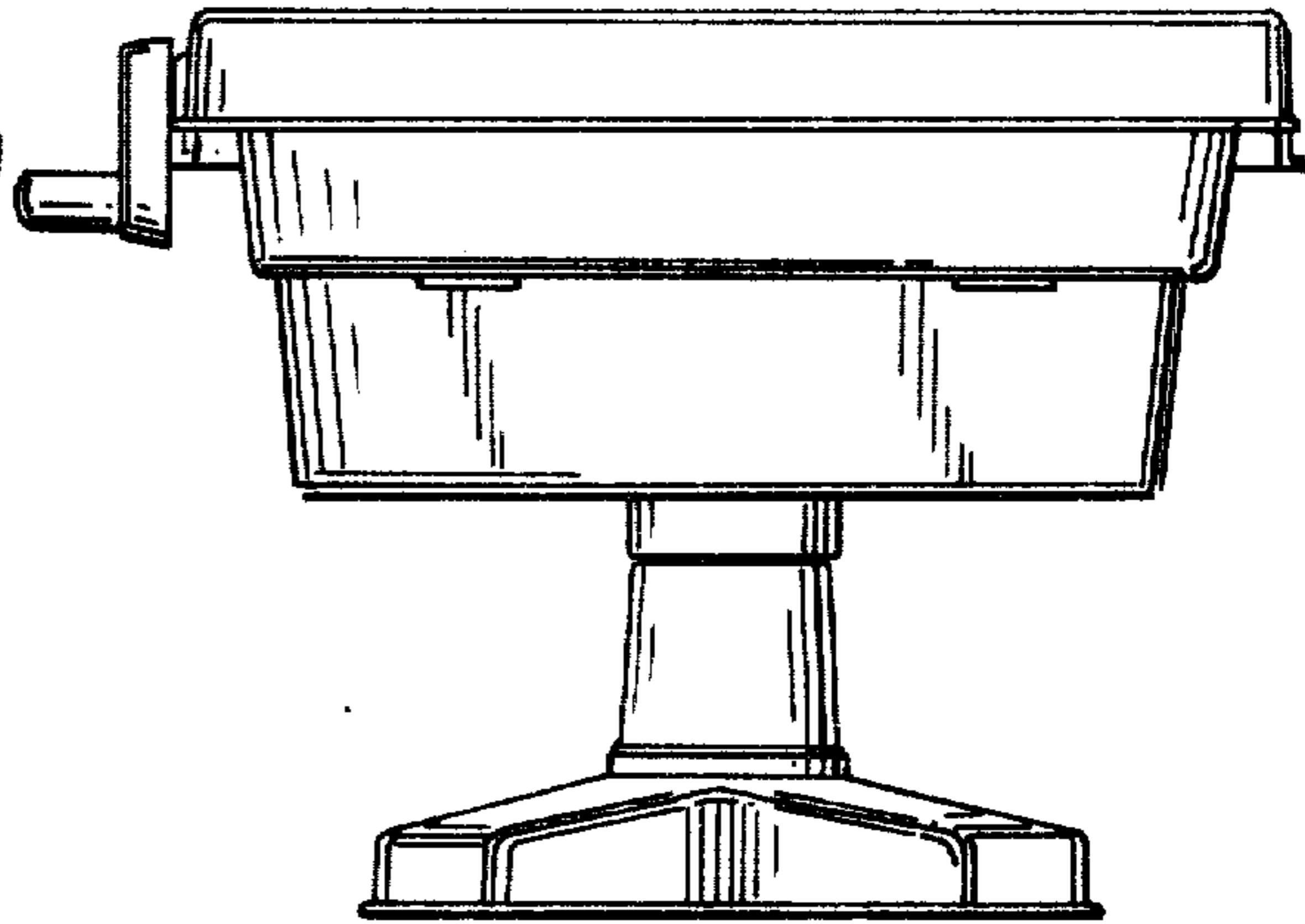


FIG. 5

FIG. 6

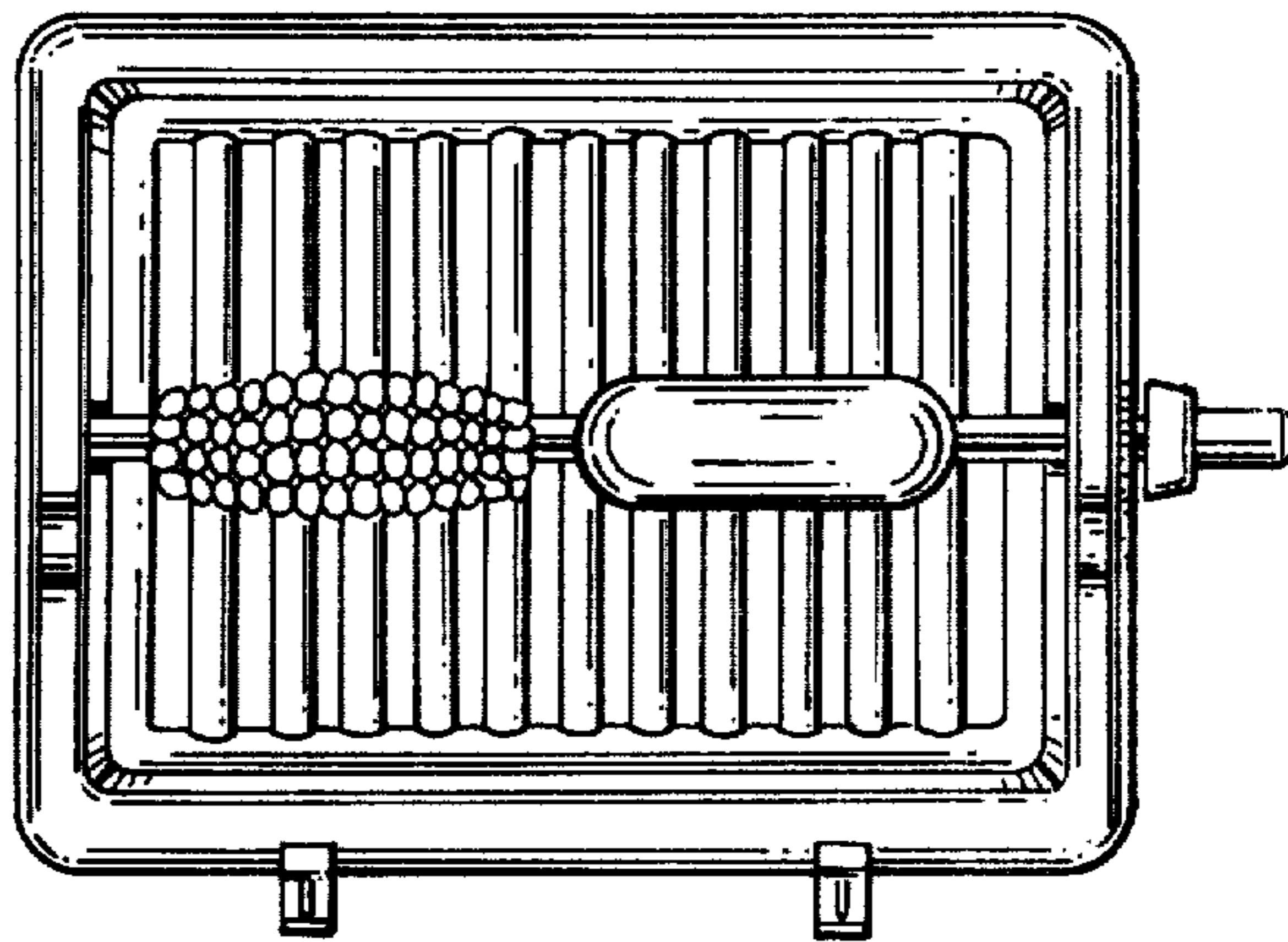


FIG. 7

