

- [54] TOY SEWING MACHINE
- [75] Inventors: Mel Appel, Nine Nottingham Rd., Livingston, N.J. 07039; George Kress, Scotch Plains, N.J.
- [73] Assignee: Mel Appel, Livingston, N.J.
- [\*\*] Term: 14 Years
- [21] Appl. No.: 253,241
- [22] Filed: Apr. 13, 1981
- [51] Int. Cl. .... D21-01
- [52] U.S. Cl. .... D21/122
- [58] Field of Search ..... D15/69, 70, 72, 75; 46/39, 40, 1 R, 174; D21/39, 64, 109, 120, 122, 124

- 2,878,614 3/1959 Argiro et al. .... 46/39
- 3,699,705 10/1972 Clarke et al. .... 46/39

OTHER PUBLICATIONS

Ward 1980 Xmas Catalog, p. 412, item "B" Toy Sewing Machine.

Primary Examiner—Charles A. Rademaker  
Attorney, Agent, or Firm—Lerner, David, Littenberg & Samuel

[57] CLAIM

The ornamental design for a toy sewing machine, substantially as shown and described.

DESCRIPTION

FIG. 1 is a perspective view of a toy sewing machine showing our new design; FIG. 2 is a right side elevational view thereof; FIG. 3 is a front elevational view thereof; FIG. 4 is a left side elevational view thereof; FIG. 5 is a rear elevational view thereof; FIG. 6 is a top plan view thereof; and FIG. 7 is a bottom plan view thereof.

- [56] References Cited
- U.S. PATENT DOCUMENTS
- D. 211,480 6/1968 Rockwell ..... D21/122
- D. 213,922 4/1969 Dreyfus ..... D15/69
- D. 243,686 3/1977 Ito ..... D15/69
- D. 244,399 5/1977 Chiu ..... D15/69

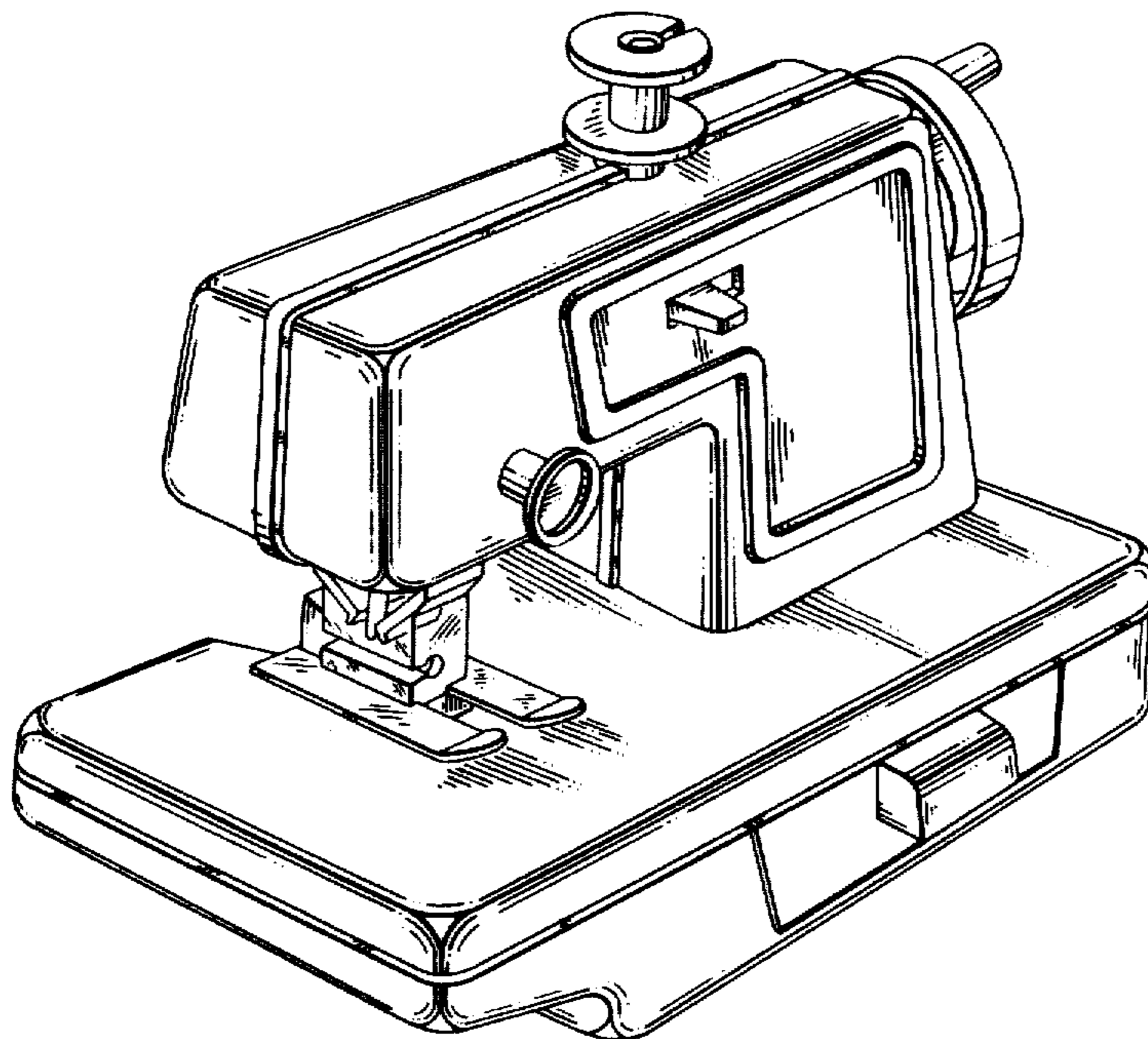


FIG. 1

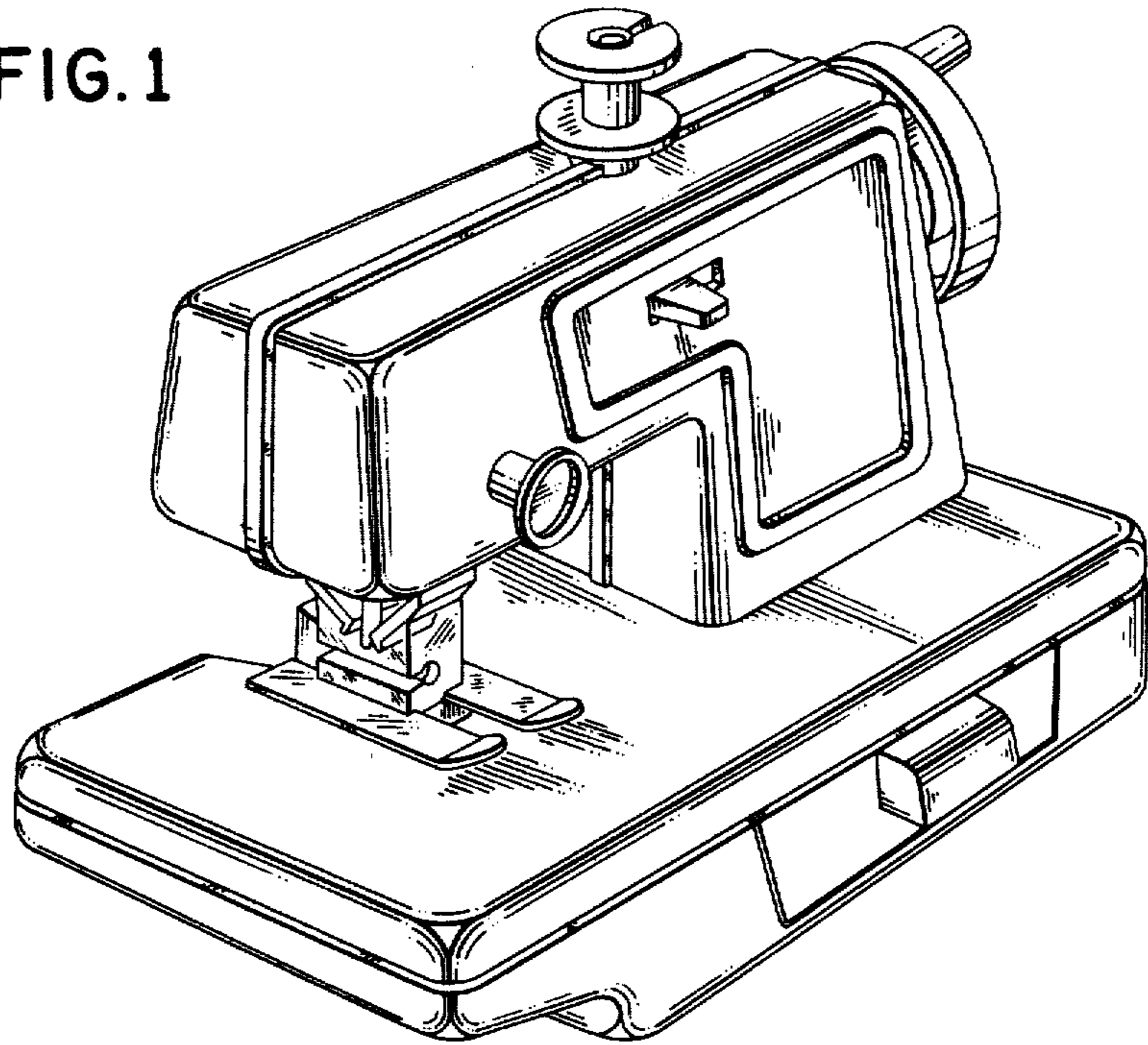


FIG. 3

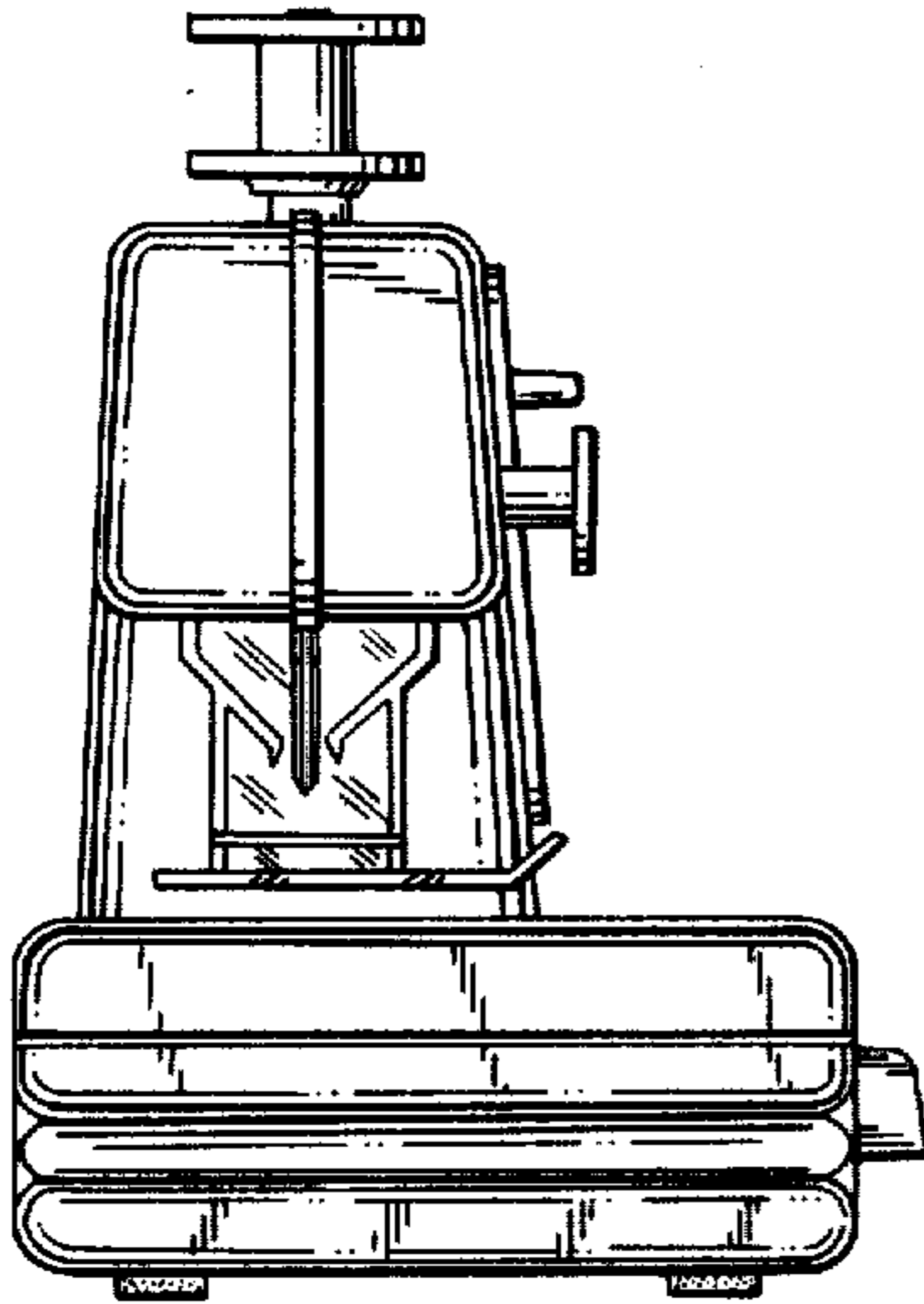


FIG. 2

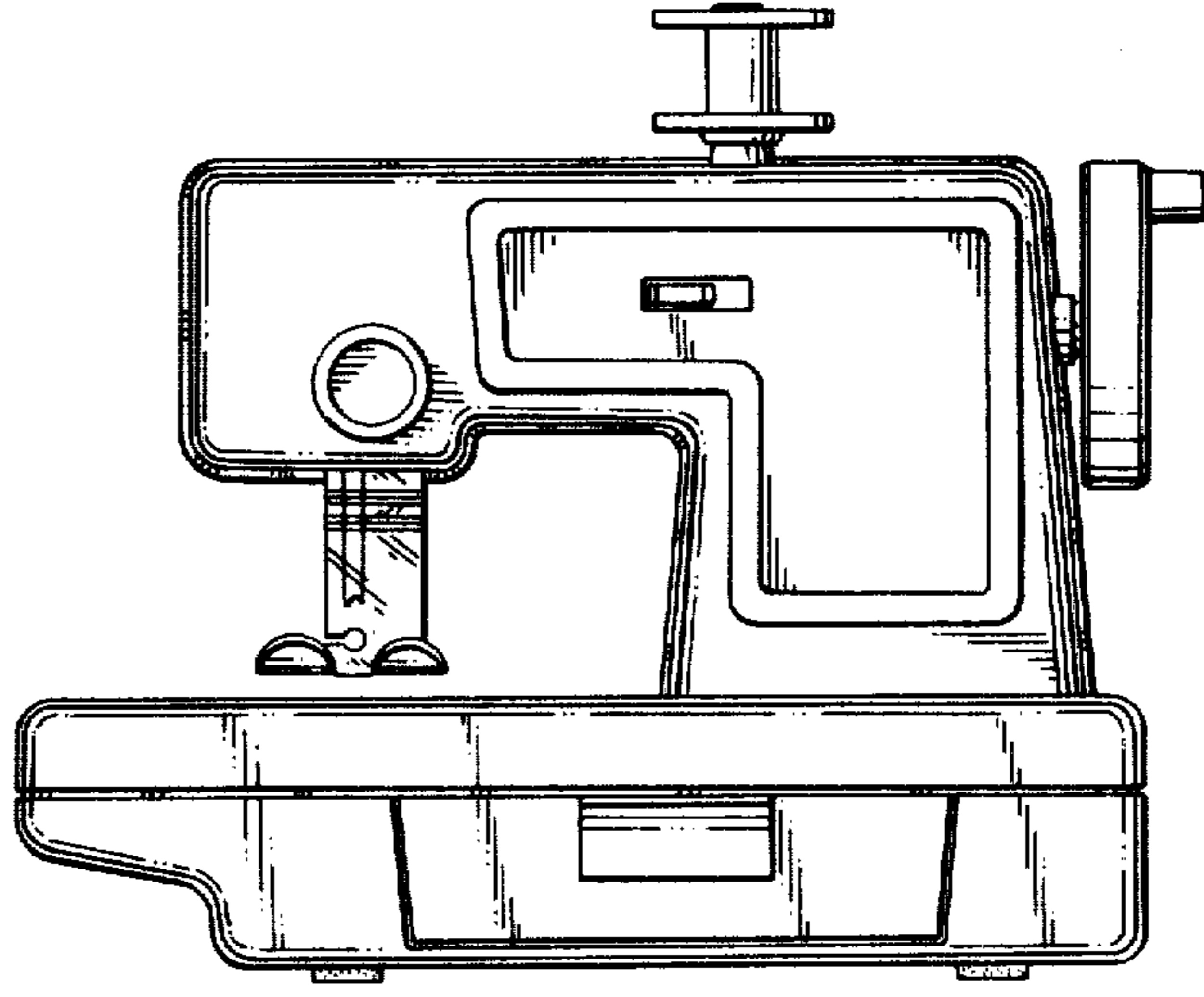


FIG. 5

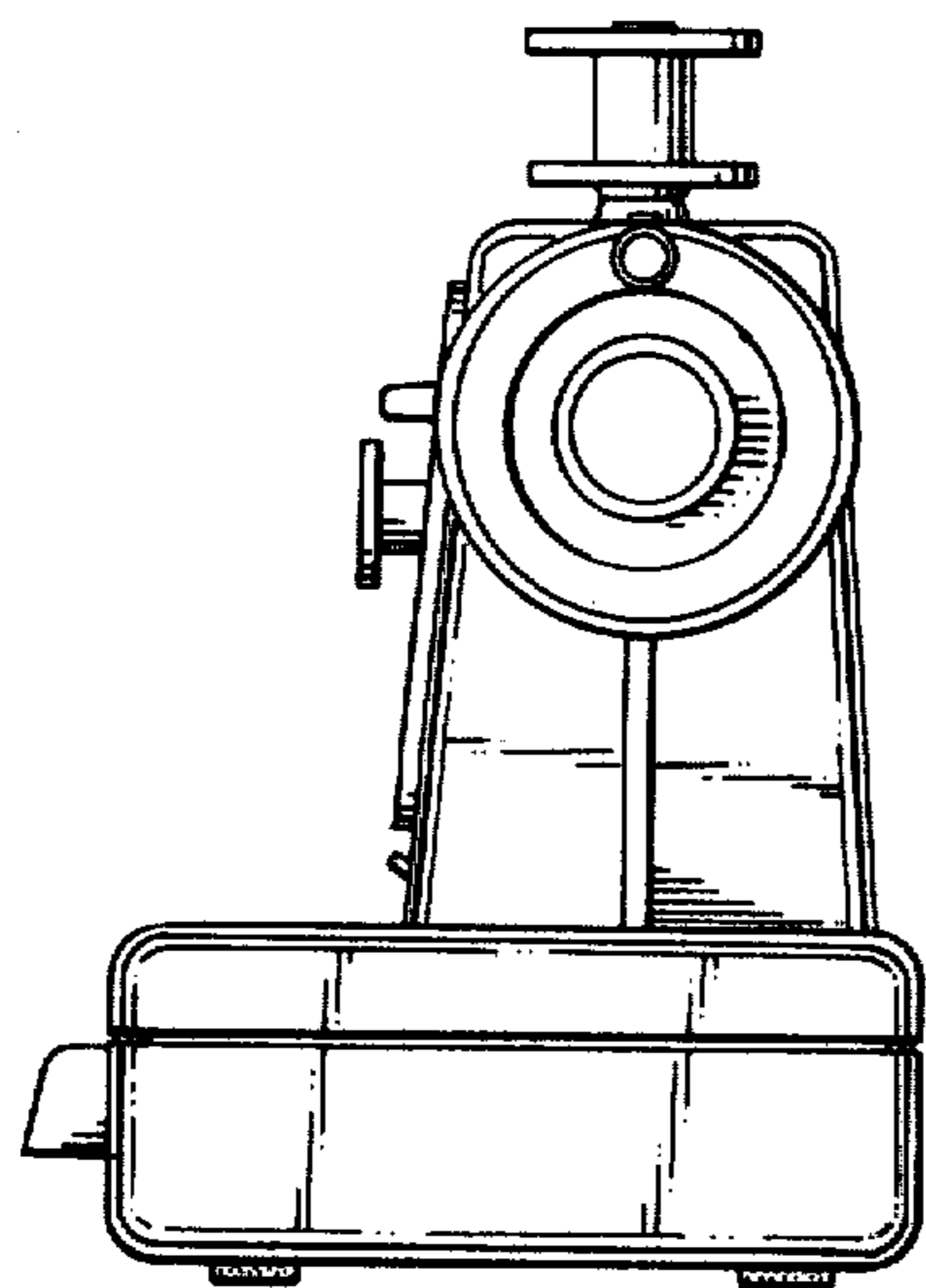


FIG. 4

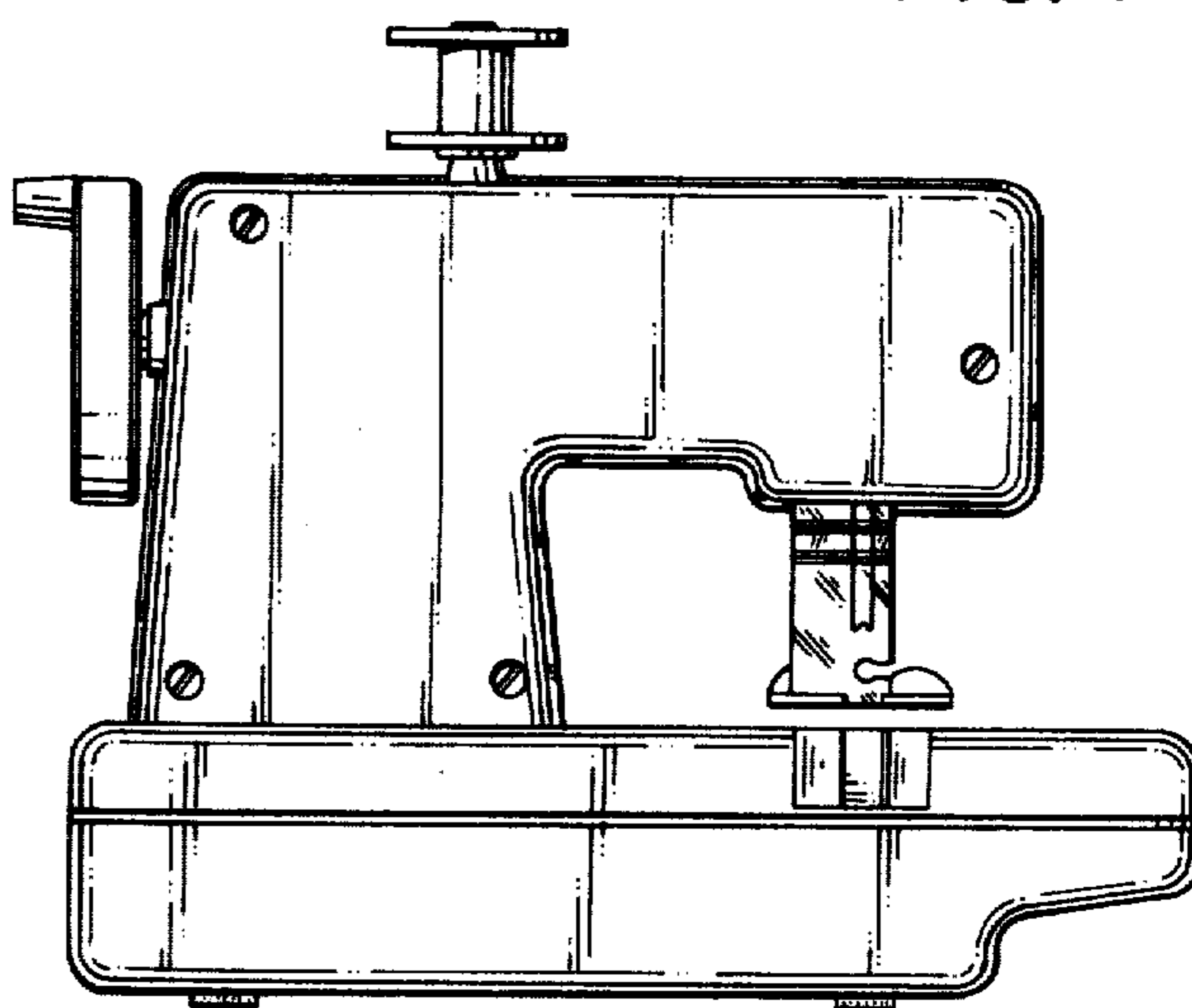


FIG. 6

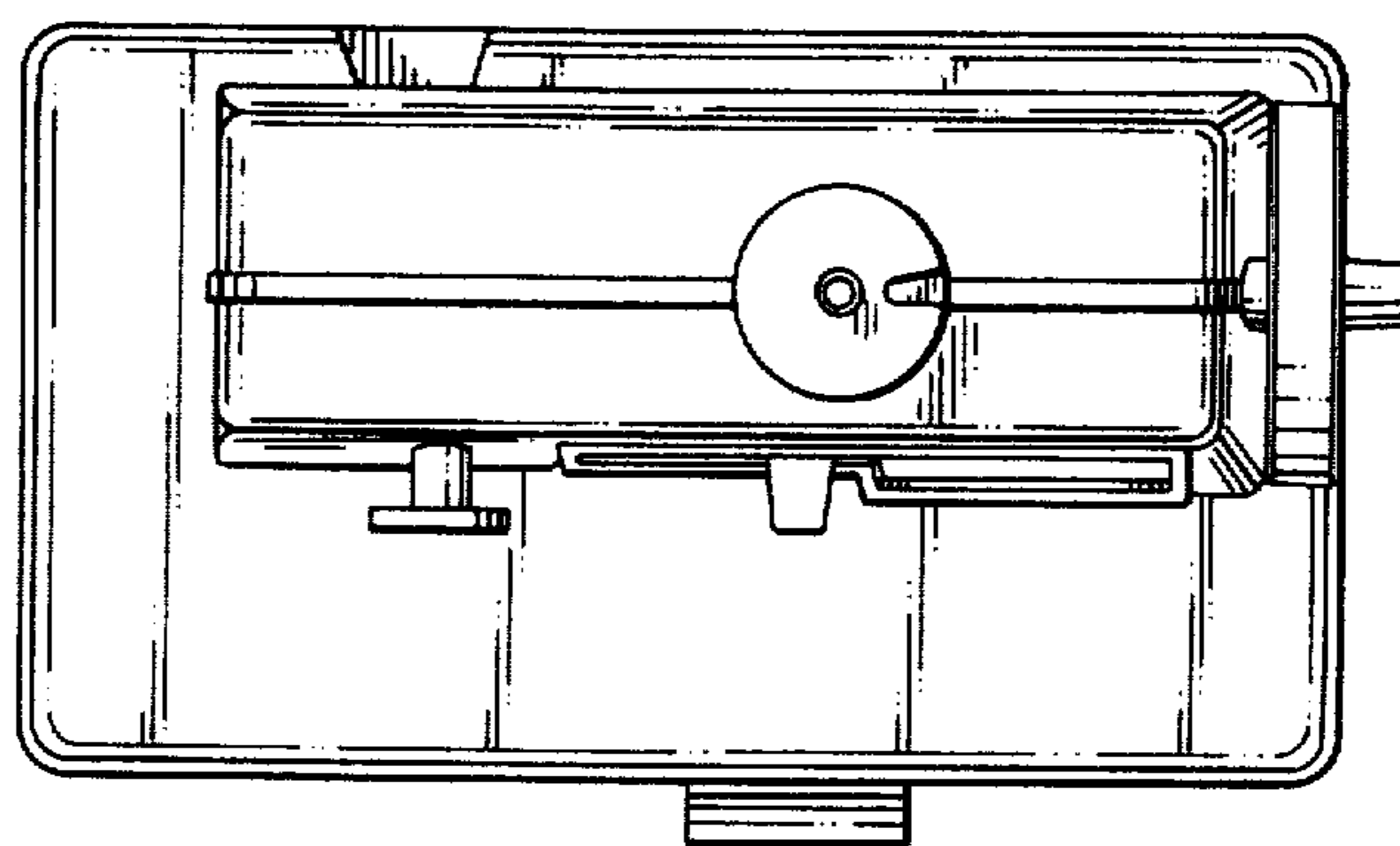


FIG. 7

