

[54] TOY DRILL

2,829,285 4/1958 Steiner et al. 46/39
3,859,749 1/1975 Morin et al. 46/39

[75] Inventors: Mel Appel, Nine Nottingham Rd.,
Livingston, N.J. 07039; George
Kress, Scotch Plains, N.J.

[73] Assignee: Mel Appel, Livingston, N.J.

[**] Term: 14 Years

[21] Appl. No.: 253,094

[22] Filed: Apr. 13, 1981

[51] Int. Cl. D21-01

[52] U.S. Cl. D21/120; D21/148

[58] Field of Search D21/120, 59, 64, 109,
D21/122, 124, 148; 46/1 R, 39, 40, 174; D8/64,
61, 62, 68; 30/272 A, 273, 393; D15/132

[56] References Cited

U.S. PATENT DOCUMENTS

D. 262,473 12/1981 Wildman D21/120
D. 262,559 1/1982 Klawitter D21/120

OTHER PUBLICATIONS

Playthings, 7-1964, pp. 129 & 130, "Play Drill".

Primary Examiner—Charles A. Rademaker
Attorney, Agent, or Firm—Lerner, David, Littenberg &
Samuel

[57] CLAIM

The ornamental design for a toy drill, substantially as
shown and described.

DESCRIPTION

FIG. 1 is a perspective view of a toy drill showing our
new design;

FIG. 2 is a front elevational view thereof;

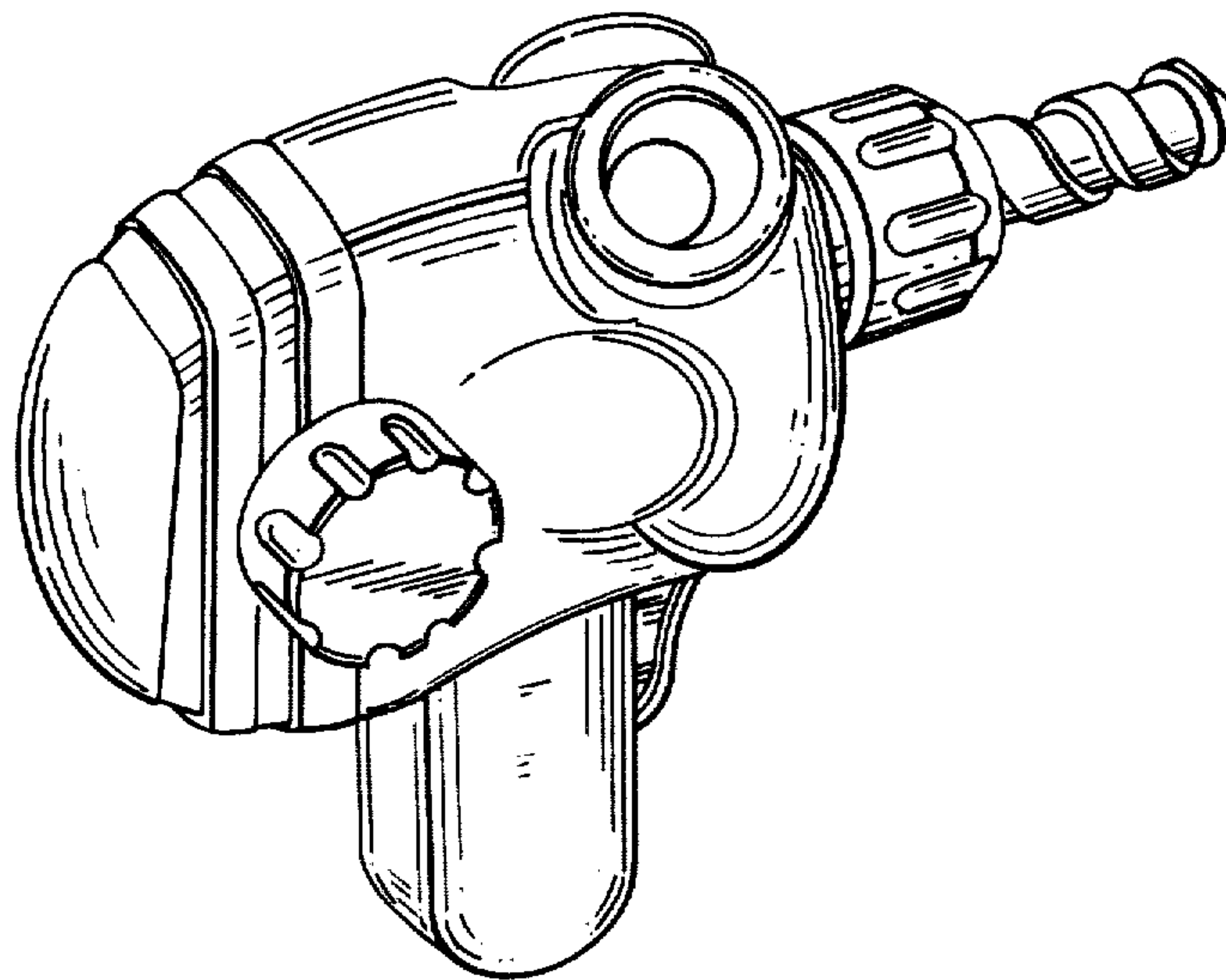
FIG. 3 is a rear elevational view thereof;

FIG. 4 is a right side elevational view thereof;

FIG. 5 is a left side elevational view thereof;

FIG. 6 is a top plan view thereof;

FIG. 7 is a bottom plan view thereof.



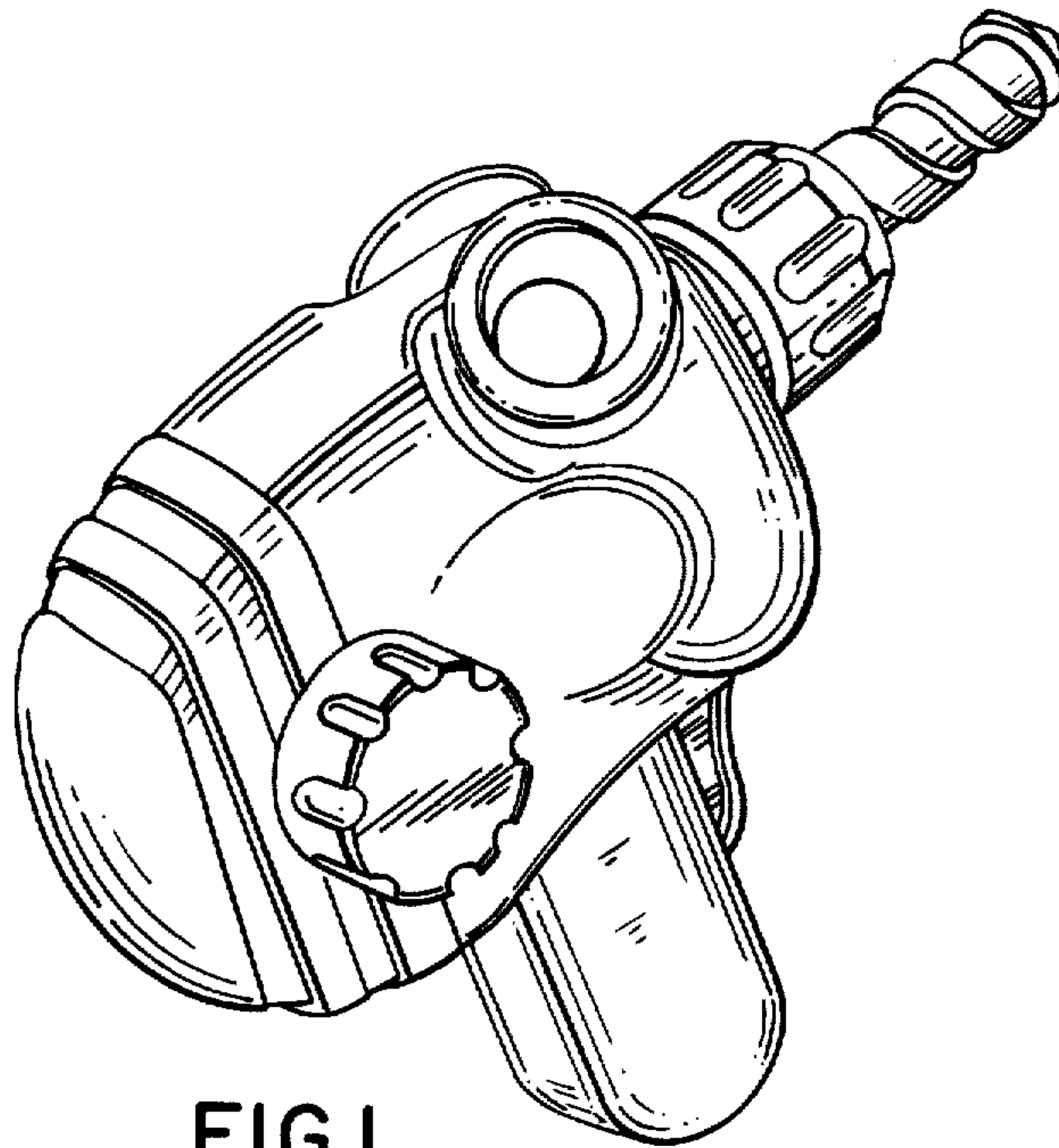


FIG. 1

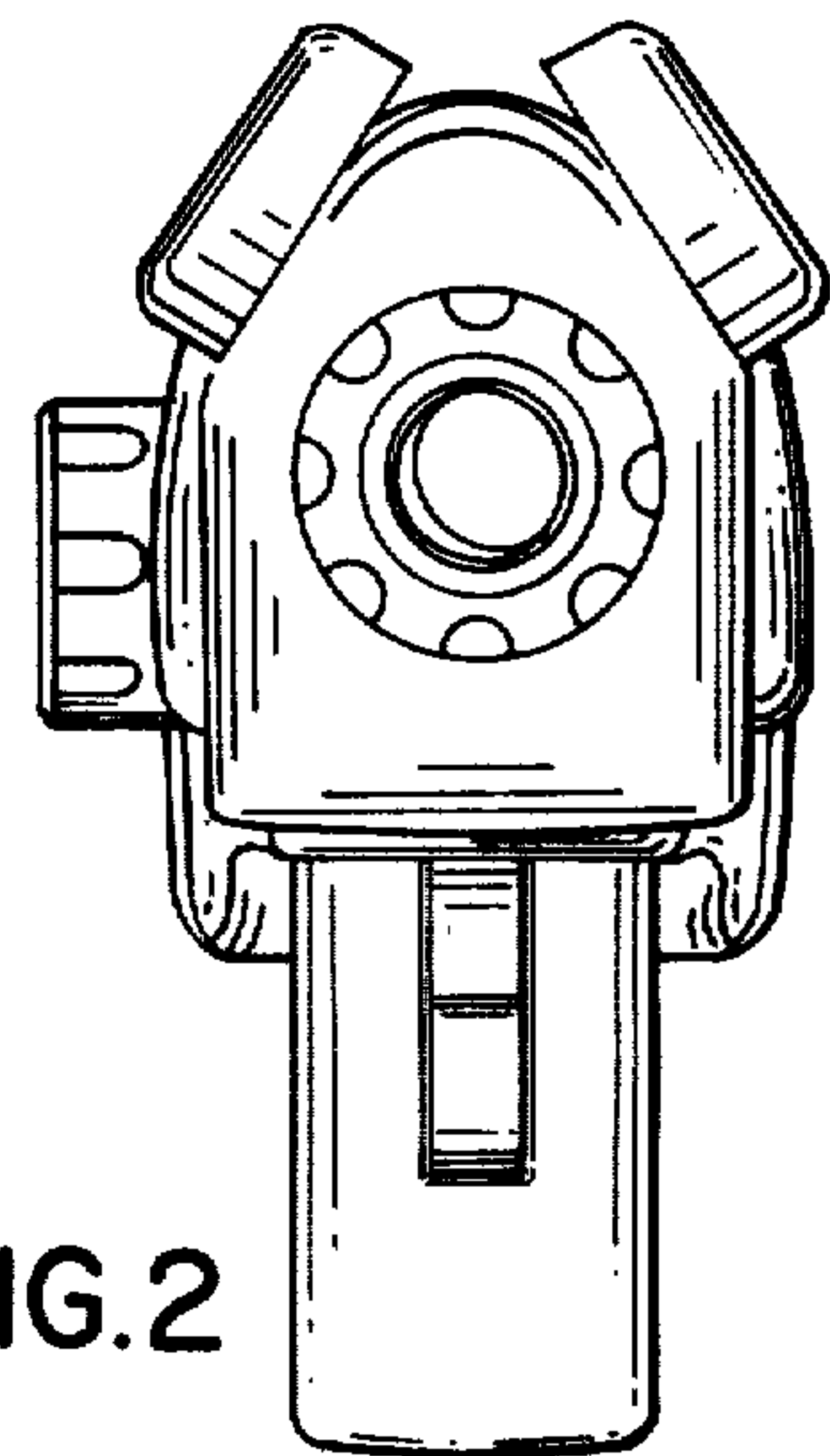


FIG. 2

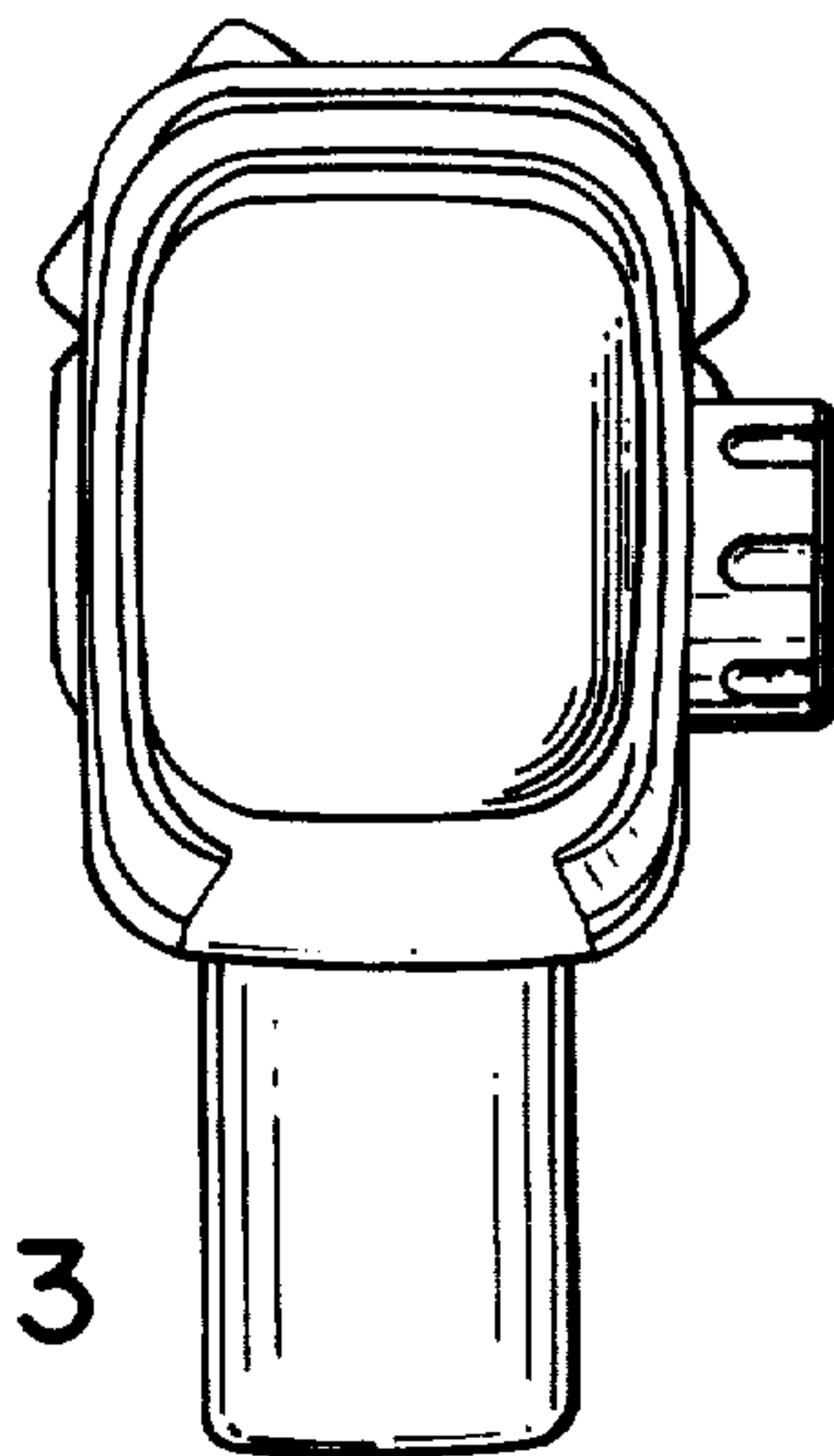


FIG. 3

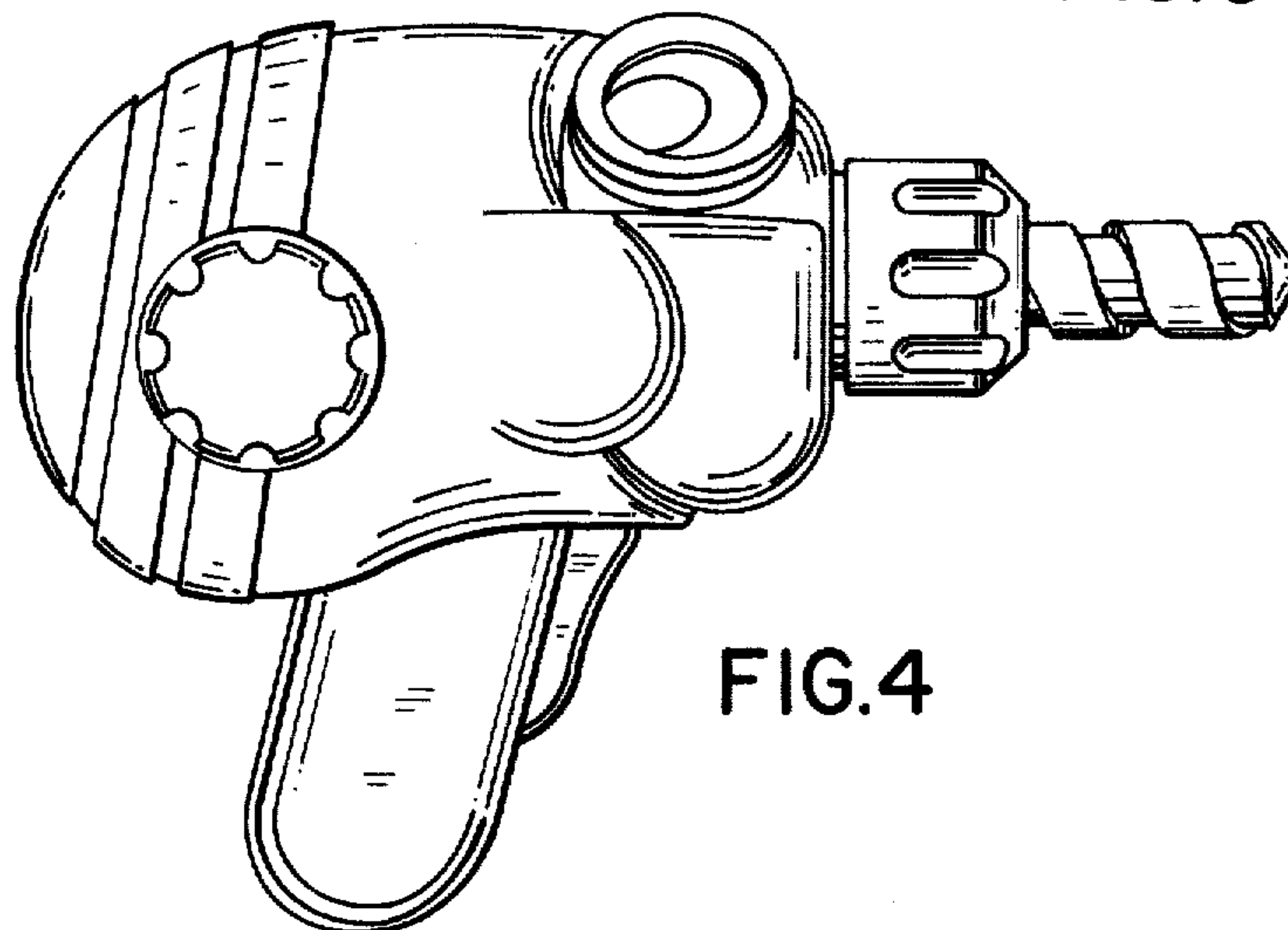


FIG. 4

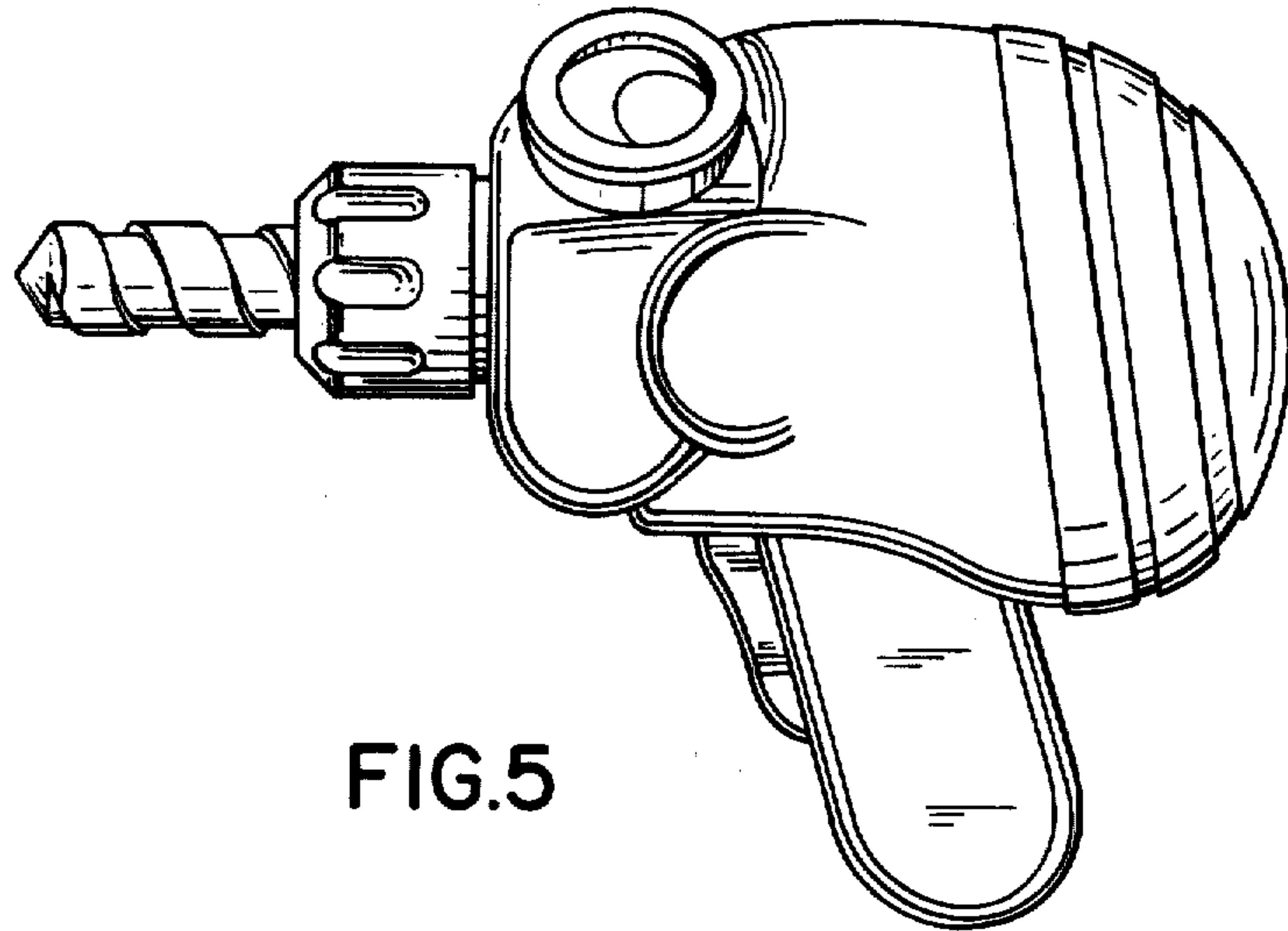


FIG. 5

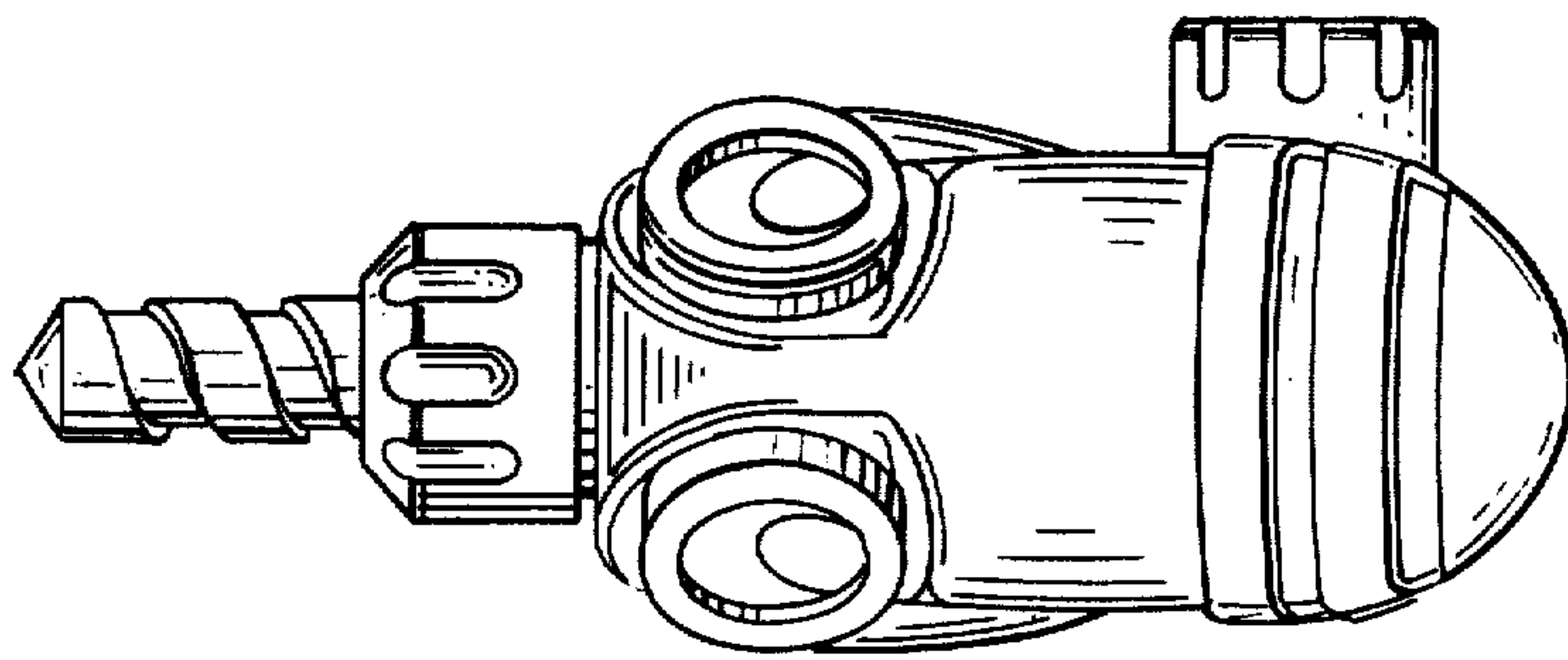


FIG. 6

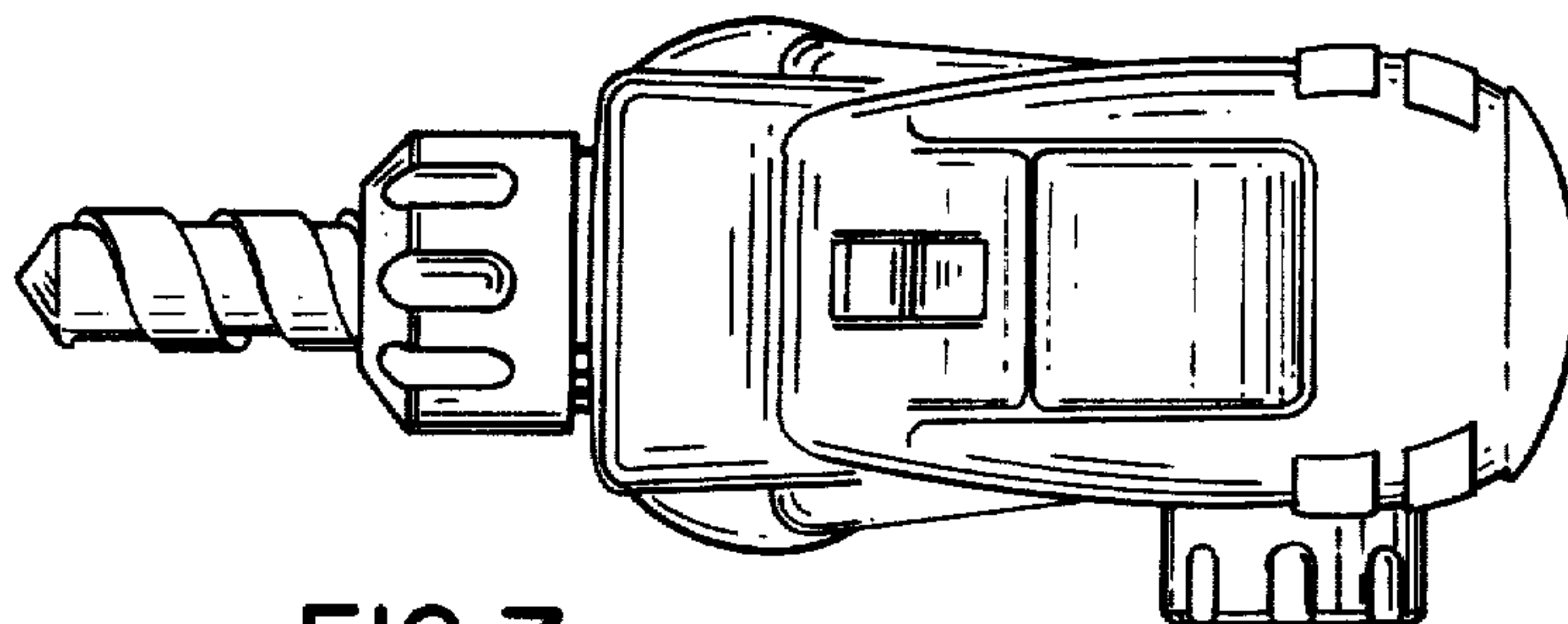


FIG. 7