

[54] TOY CAMERA

[56] References Cited

[75] Inventors: Mel Appel, Nine Nottingham Rd., Livingston, N.J. 07039; George Kress, Scotch Plains, N.J.

U.S. PATENT DOCUMENTS

- D. 232,457 8/1974 Henderson et al. D21/110
- D. 240,862 8/1976 Boehm et al. D16/6
- D. 250,120 10/1978 Munakata et al. D16/6
- 3,768,387 10/1973 Hasegawa D16/8

[73] Assignee: Mel Appel, Livingston, N.J.

Primary Examiner—Charles A. Rademaker
Attorney, Agent, or Firm—Lerner, David, Littenberg & Samuel

[**] Term: 14 Years

[57] CLAIM

[21] Appl. No.: 240,782

The ornamental design for a toy camera, substantially as shown and described.

[22] Filed: Mar. 5, 1981

DESCRIPTION

- [51] Int. Cl. D21—01
- [52] U.S. Cl. D21/110
- [58] Field of Search D16/6, 8; D21/109, 110, D21/111, 68; 46/1 R, 11, 174, 175 R; 354/83, 94

FIG. 1 is a perspective view of a toy camera showing our new design;
 FIG. 2 is a front elevational view thereof;
 FIG. 3 is a rear elevational view thereof;
 FIG. 4 is a left side elevational view thereof;
 FIG. 5 is a right side elevational view thereof;
 FIG. 6 is a top plan view thereof;
 FIG. 7 is a bottom plan view thereof.

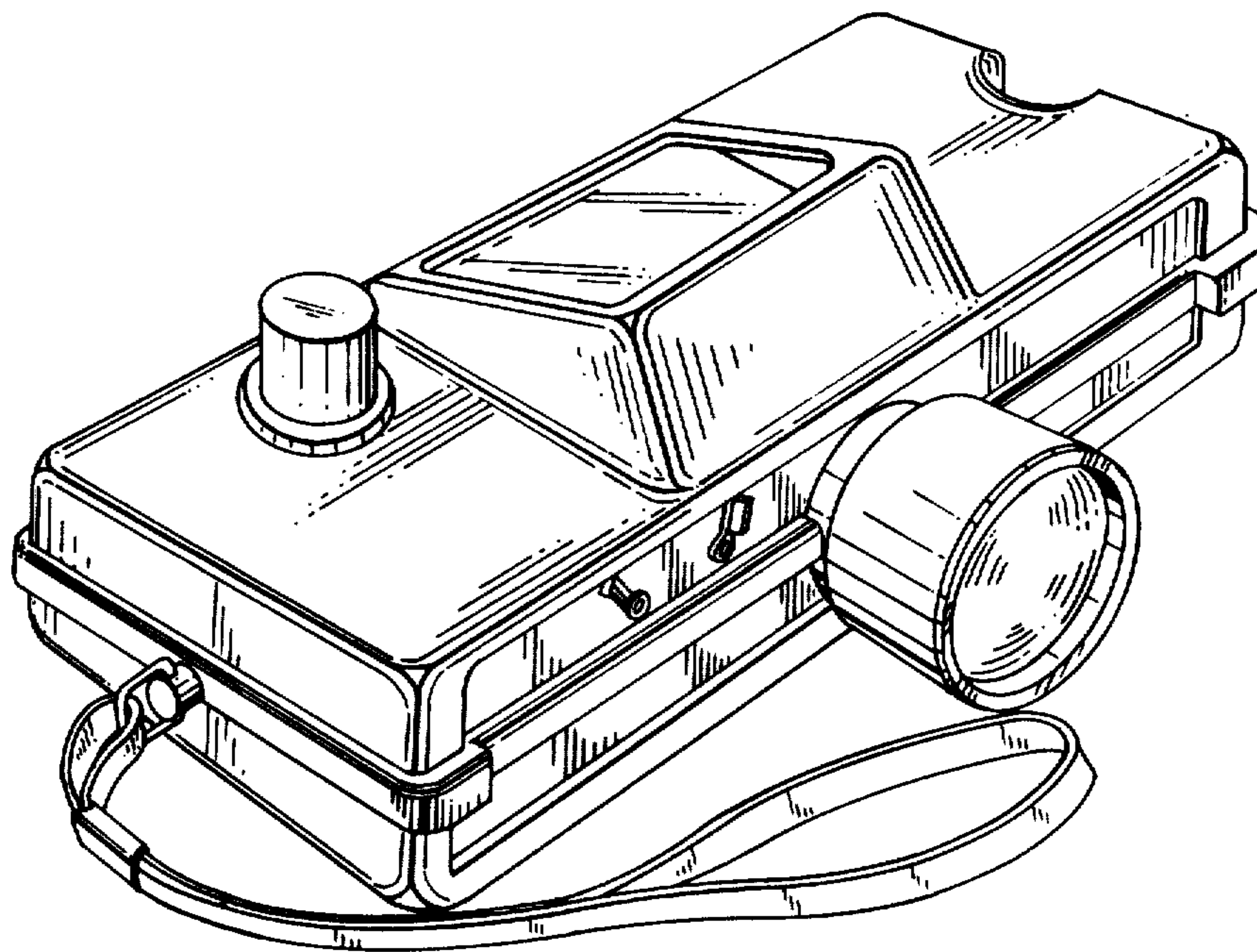


FIG. 1

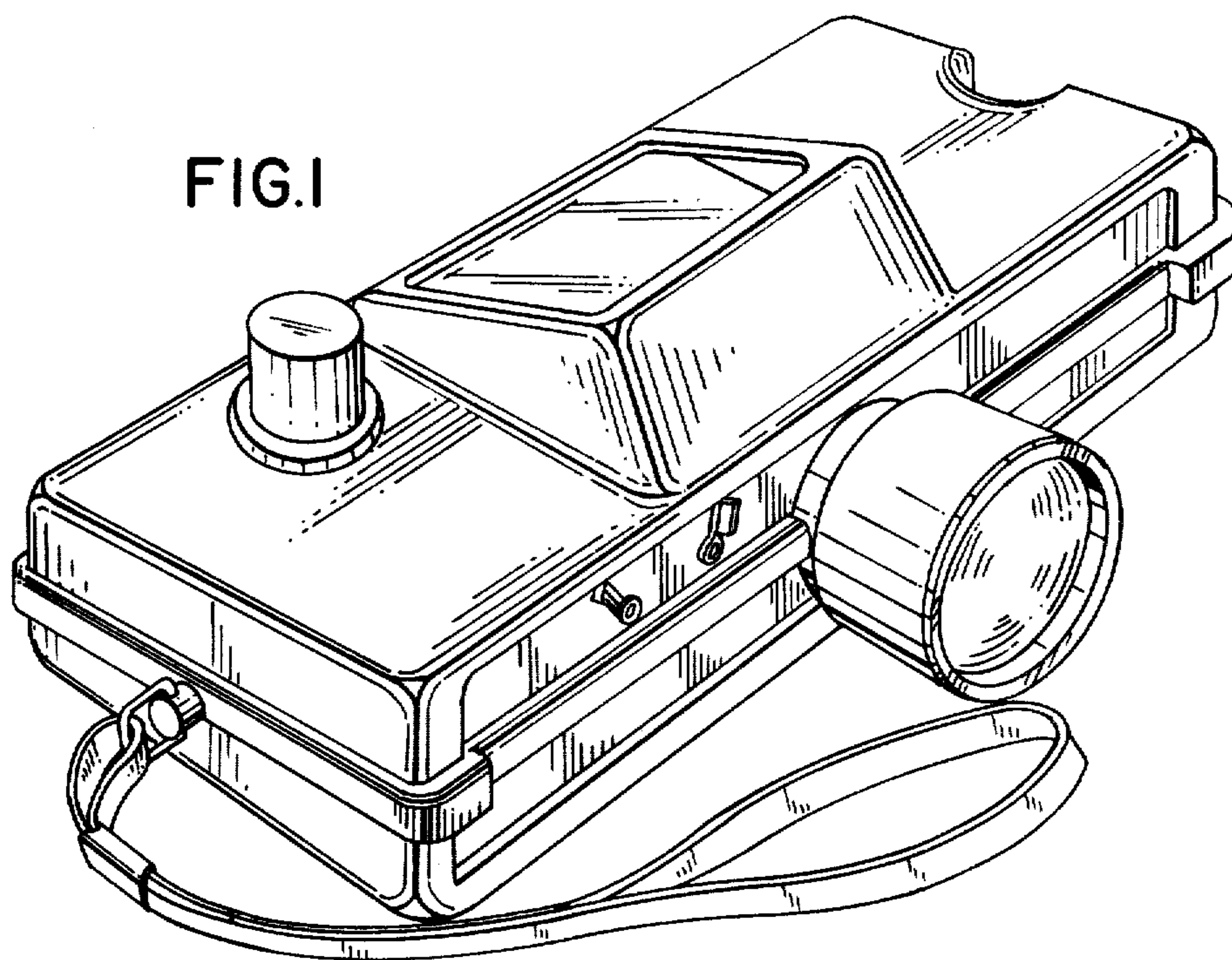


FIG. 2

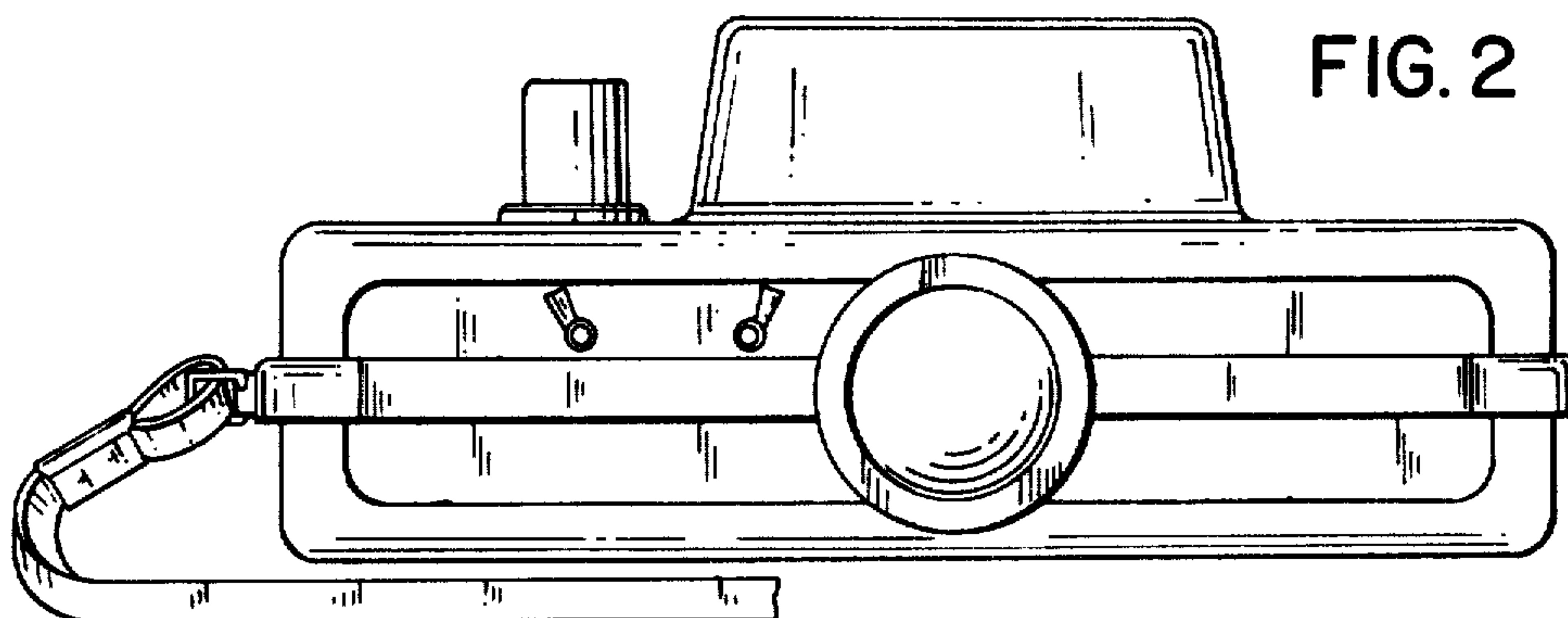


FIG. 3

