

[54] **SPEED REDUCER APPARATUS**

2,835,138 5/1958 Hey et al. 74/241 R

[75] Inventors: **Donald Tumidajewicz, Windlake;
Fritz A. Callies, Menomonee Falls,**
both of Wis.

[73] Assignee: **Rexnord Inc., Milwaukee, Wis.**

[**] Term: **14 Years**

[21] Appl. No.: **191,738**

[22] Filed: **Sep. 29, 1980**

[51] Int. Cl. **D15-99**

[52] U.S. Cl. **D15/149**

[58] Field of Search **D15/149; 74/421 R, 606 R**

[56] **References Cited**

U.S. PATENT DOCUMENTS

- D. 186,955 12/1959 Schumb D15/149
- D. 199,865 12/1964 Wellauer D15/149

OTHER PUBLICATIONS

Winsmith Speed Reducer Cat., ©1978; Cat. 110A; p. F-8; Series H reducer.

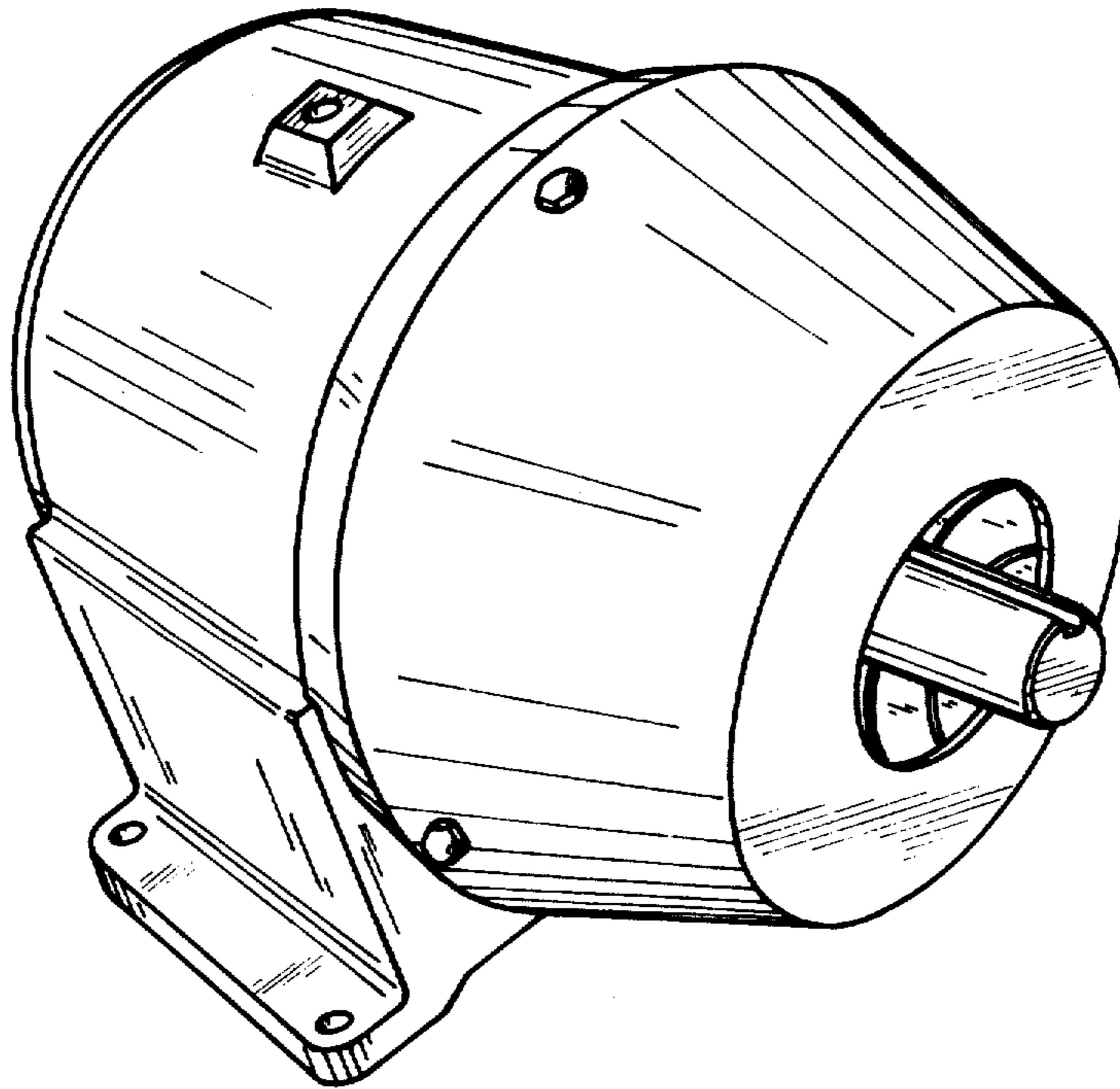
Primary Examiner—B. J. Bullock

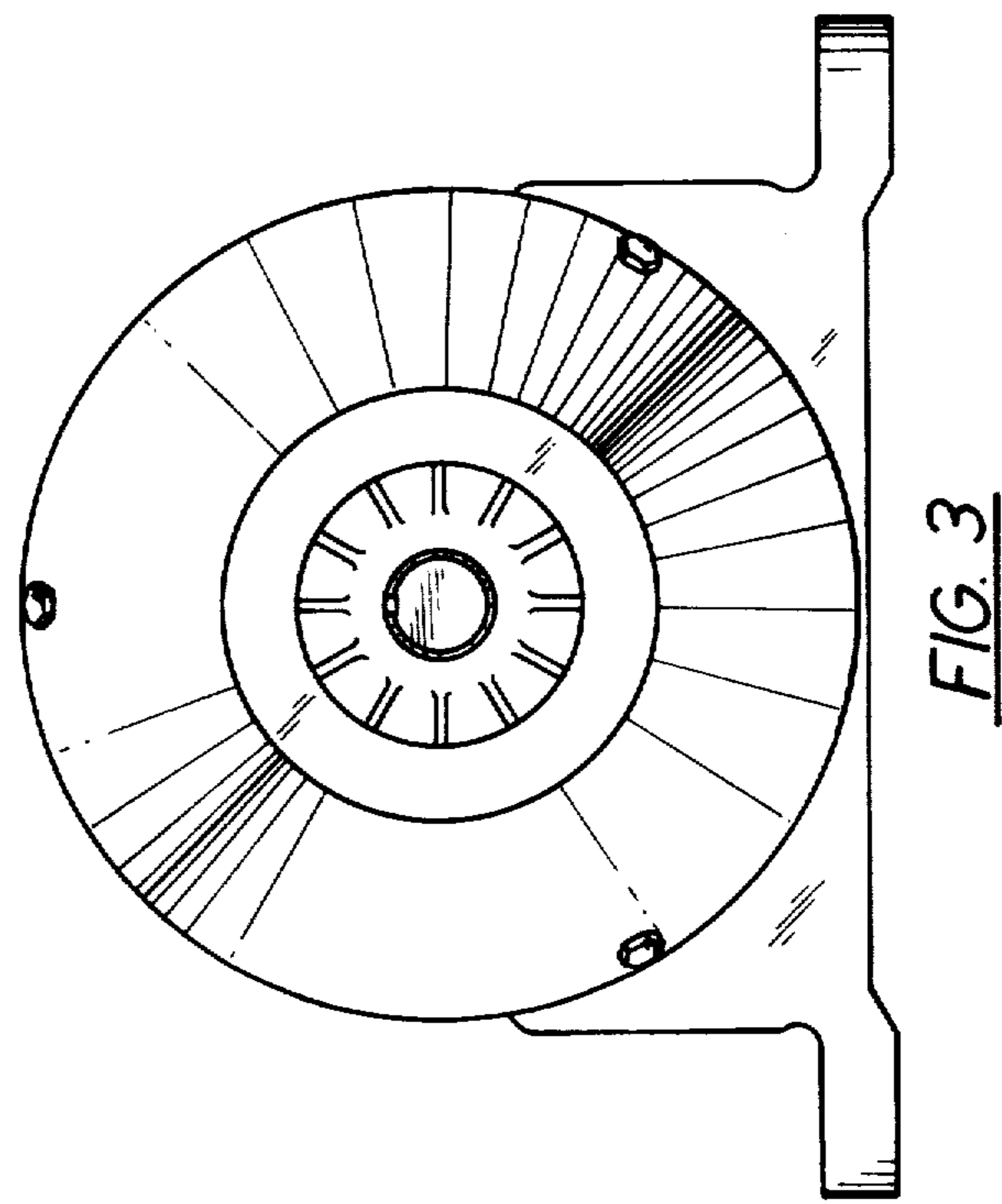
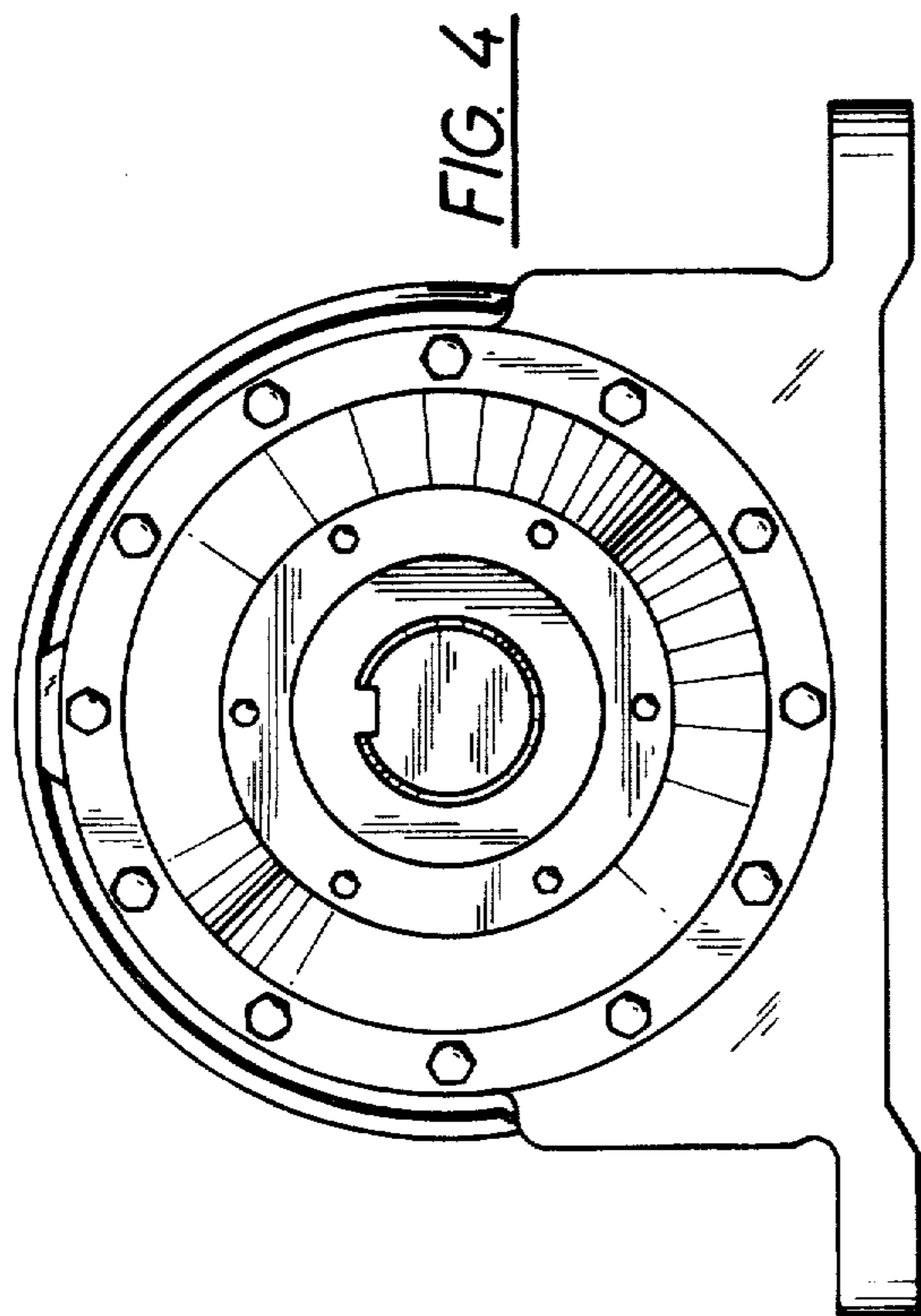
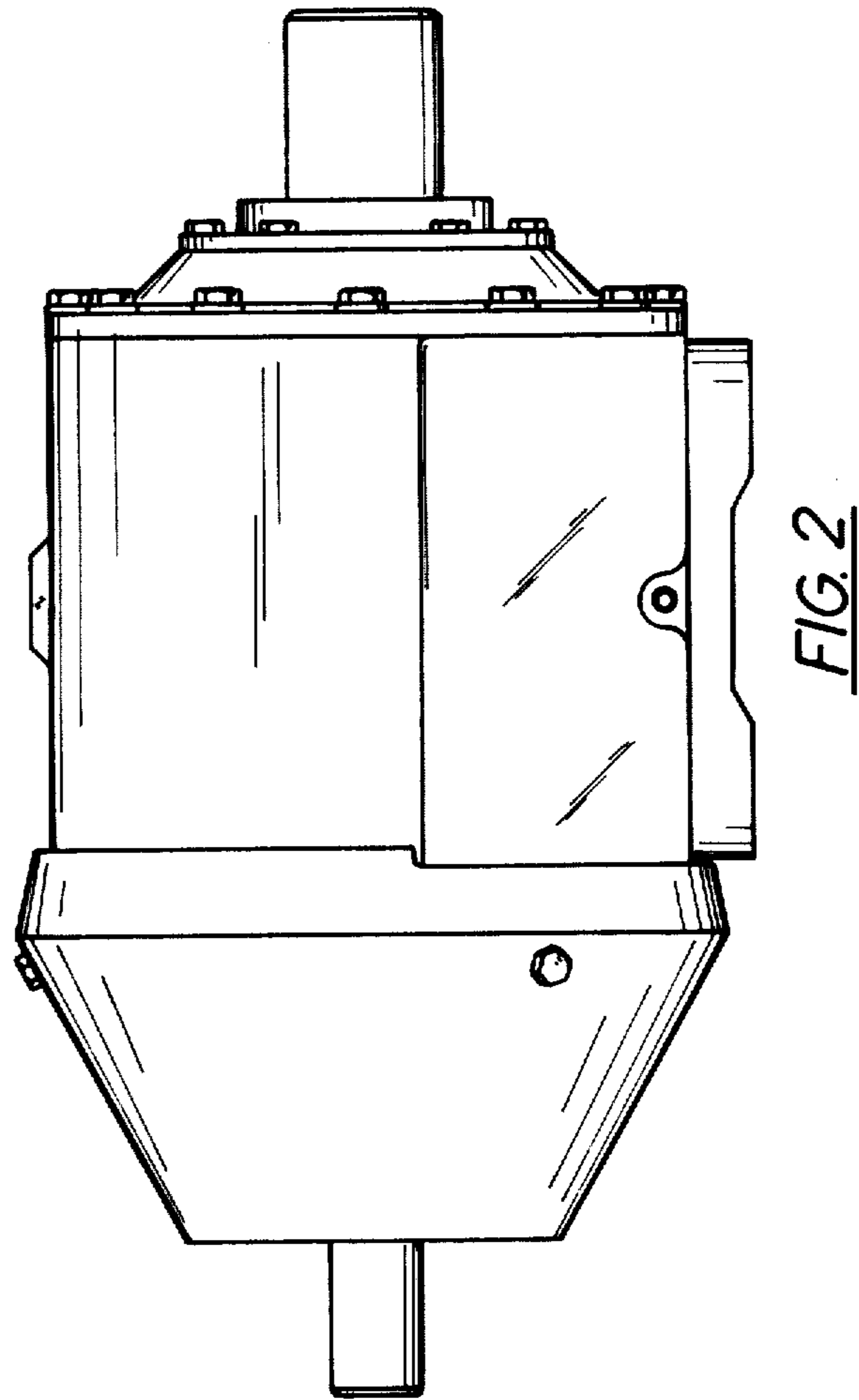
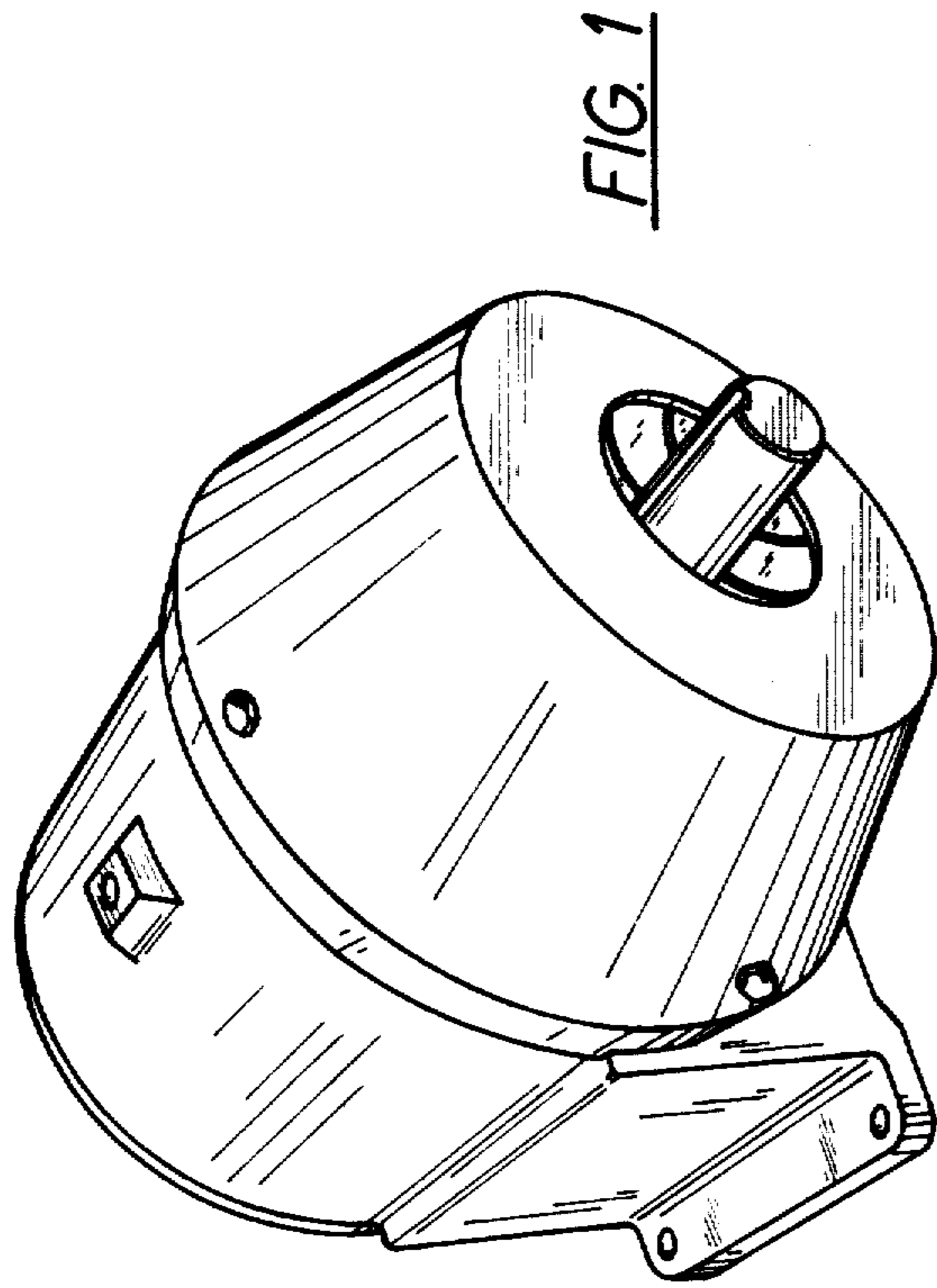
[57] **CLAIM**

The ornamental design for a speed reducer apparatus, as shown.

DESCRIPTION

FIG. 1 is a perspective view of a speed reducer apparatus showing our new design;
 FIG. 2 is a side view taken from the right of FIG. 1, the side opposite being a mirror image thereof;
 FIG. 3 is a front view thereof.
 FIG. 4 is a rear view thereof.
 FIG. 5 is a top view thereof.
 FIG. 6 is a bottom view thereof.





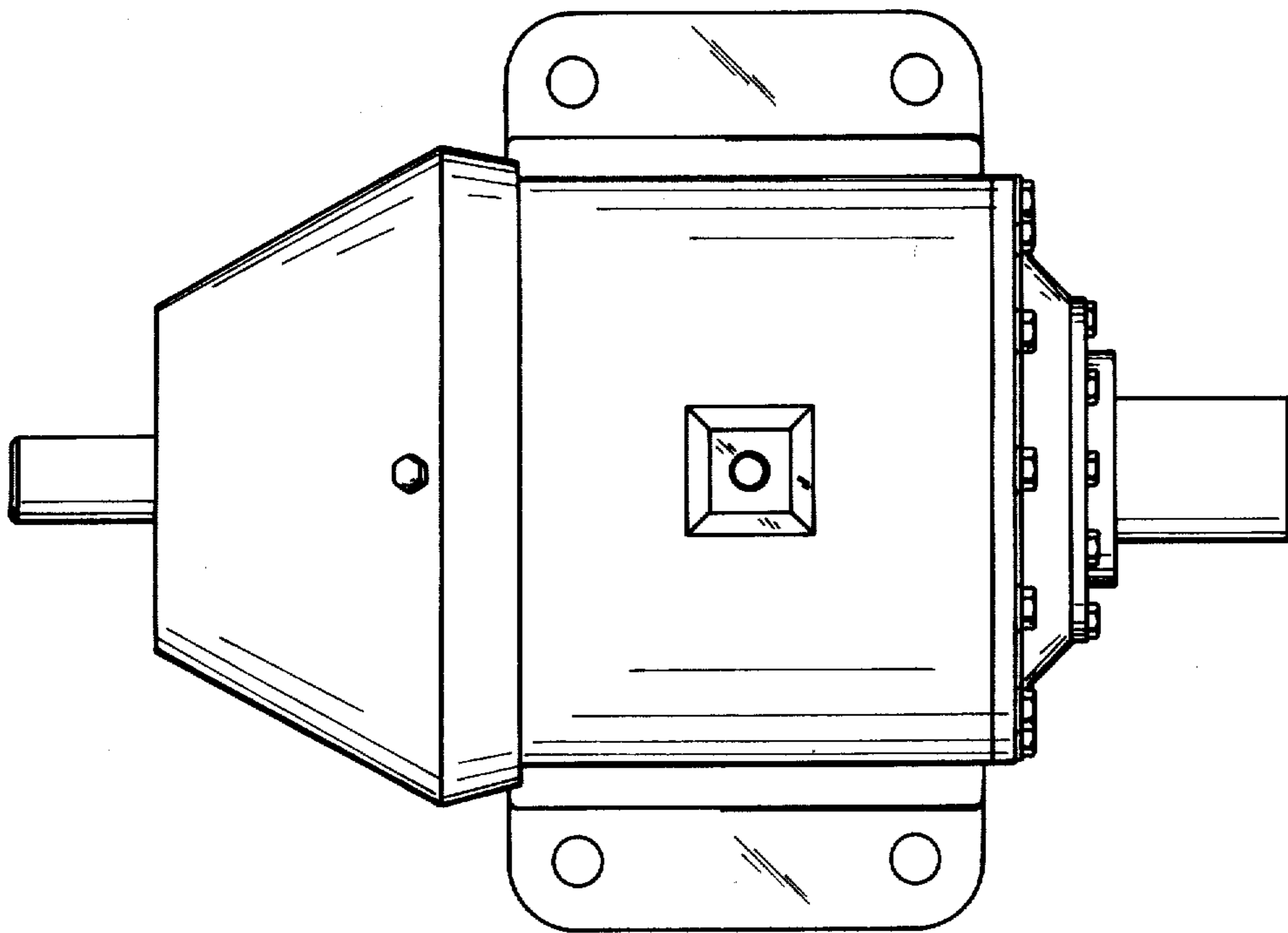


FIG. 5

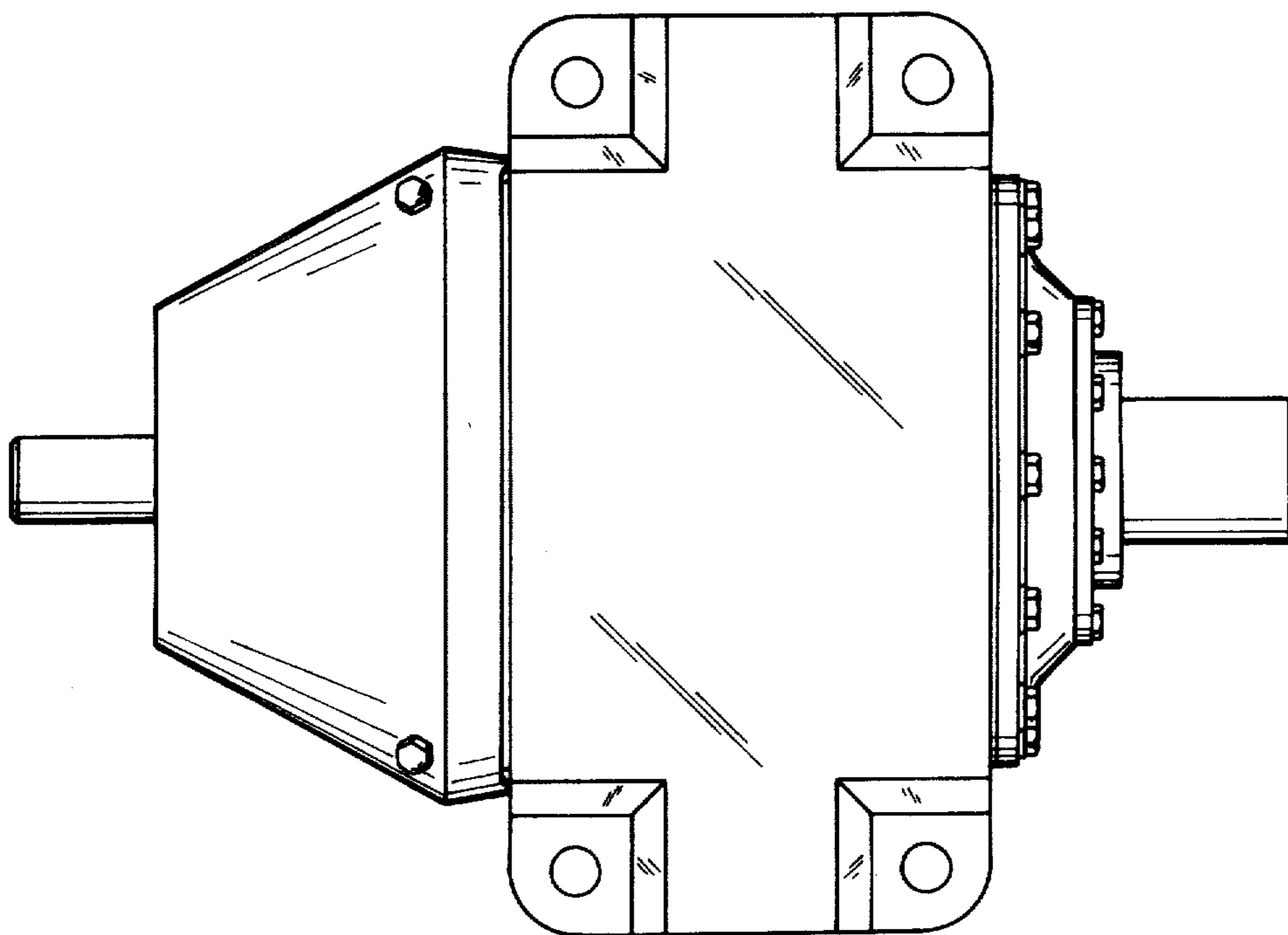


FIG. 6