

[54] IMPELLER WHEEL BLADE FOR AN ABRASIVE BLASTING MACHINE

[75] Inventor: William G. G. Tutton, Belper, England

[73] Assignee: Auto Alloys R & D Limited, Derbyshire, England

[**] Term: 14 Years

[21] Appl. No.: 149,550

[22] Filed: May 13, 1980

[30] Foreign Application Priority Data
Nov. 13, 1979 [GB] United Kingdom 7992342

[51] Int. Cl. D15-09

[52] U.S. Cl. D15/126; D15/138; D15/139

[58] Field of Search D15/124-126, D15/138, 139; 51/435, 434

[56] References Cited

U.S. PATENT DOCUMENTS

2,869,289	1/1959	Gossard	51/434
3,241,266	3/1966	Bowling, Jr.	51/434
3,287,858	11/1966	Moore et al.	51/435
3,290,827	12/1966	Bowling, Jr. et al.	51/434
3,348,339	10/1967	Bowling, Jr.	51/434
3,383,804	5/1968	Haider	51/434

Primary Examiner—B. J. Bullock
Attorney, Agent, or Firm—C. O. Marshall, Jr.

[57] CLAIM

The ornamental design for an impeller wheel blade for an abrasive blasting machine, as shown and described.

DESCRIPTION

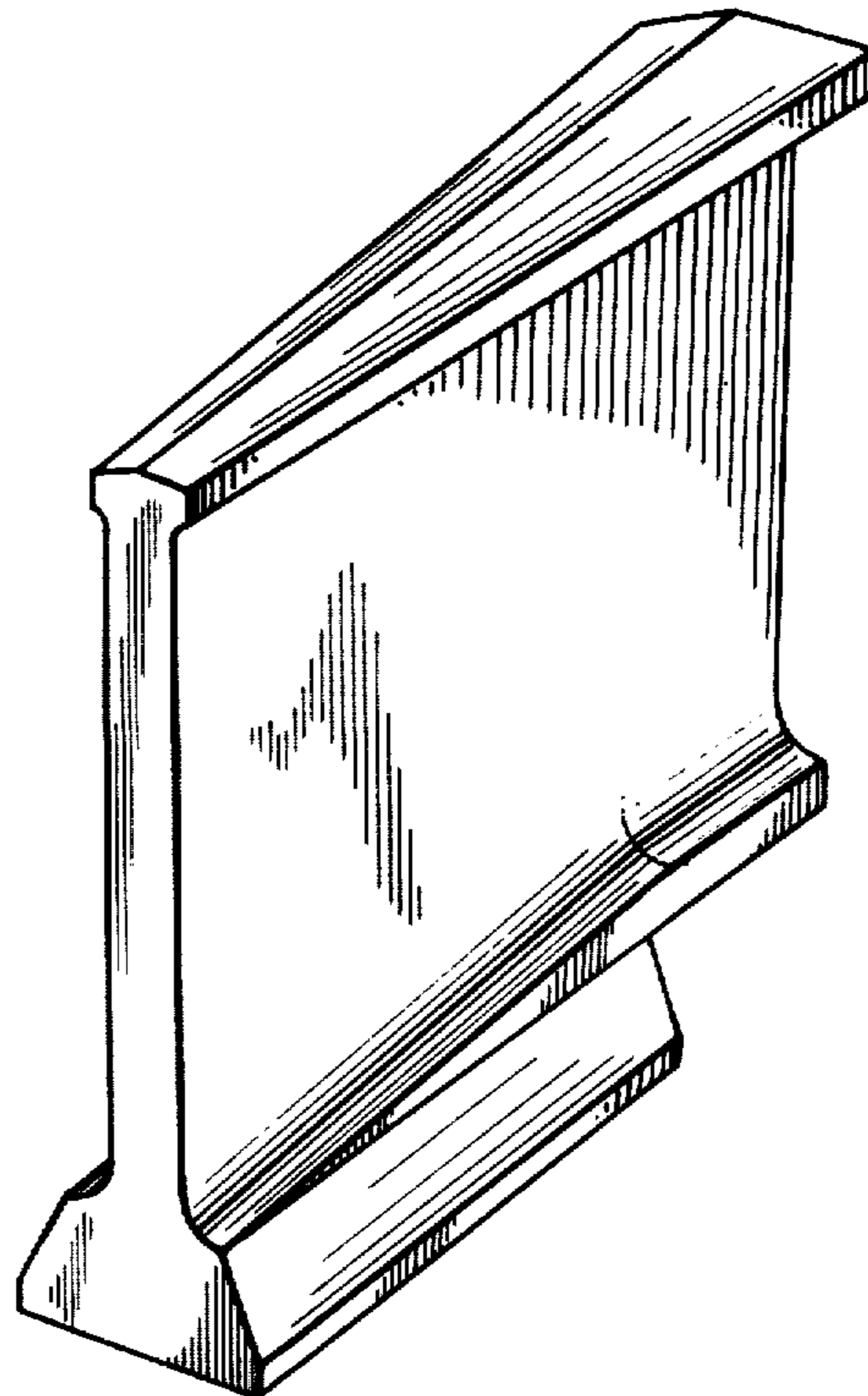
FIG. 1 is a side elevational view of an impeller wheel blade for an abrasive blasting machine showing my new design.

FIG. 2 is a top plan view thereof.

FIG. 3 is a bottom plan view thereof.

FIG. 4 is an end elevational view thereof, taken in the direction of the arrow 4 in FIG. 1.

FIG. 5 is a perspective view thereof.



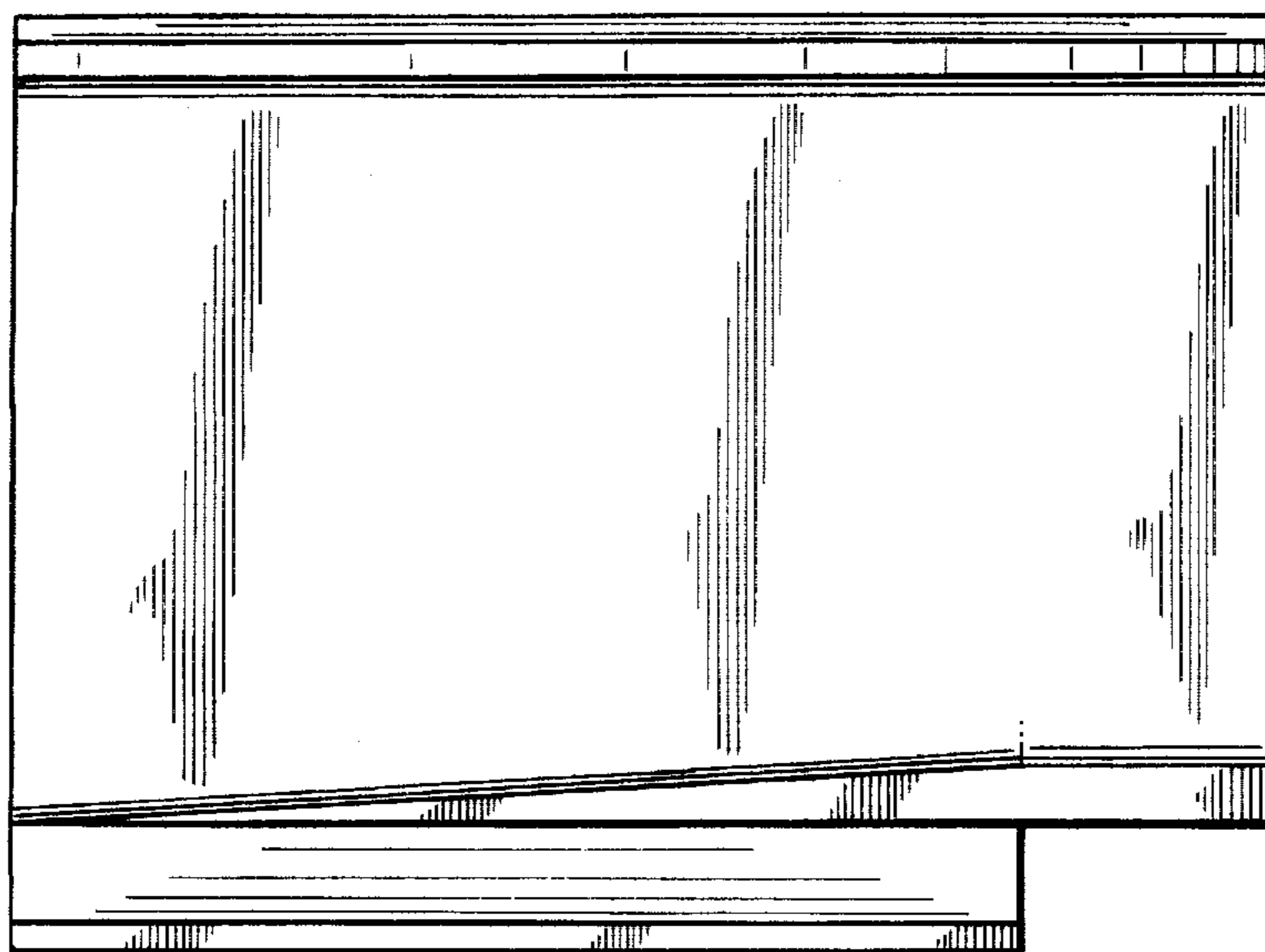


FIG. 1

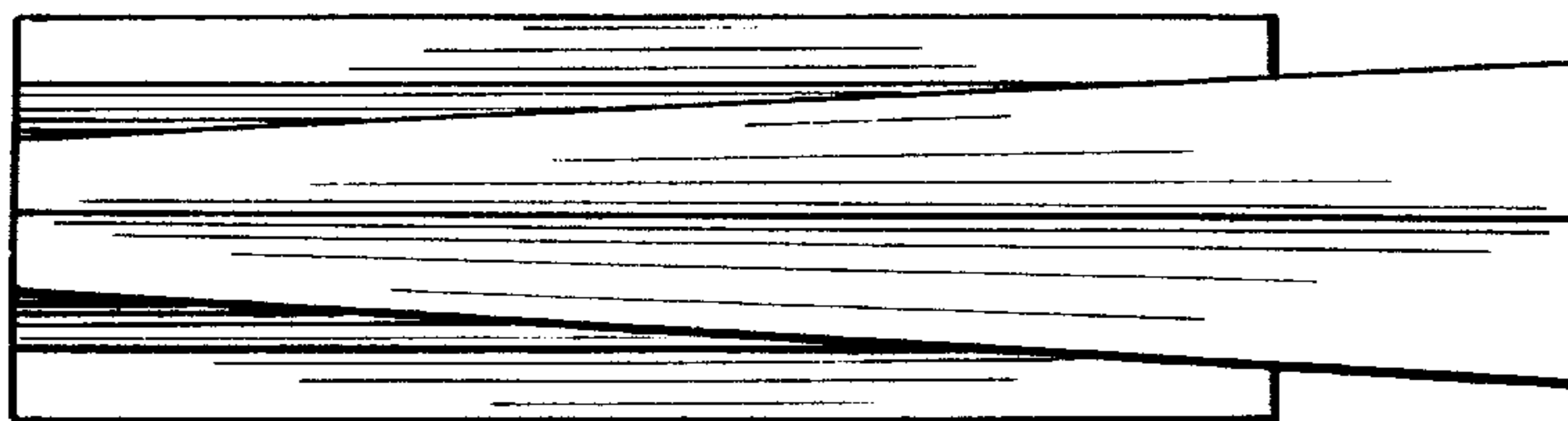


FIG. 2

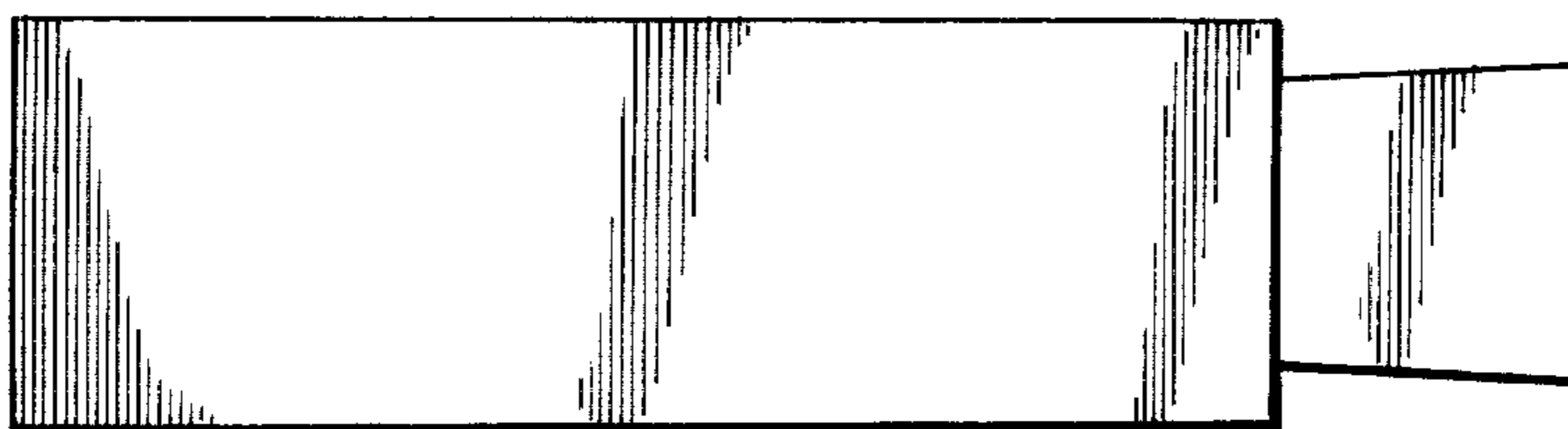


FIG. 3

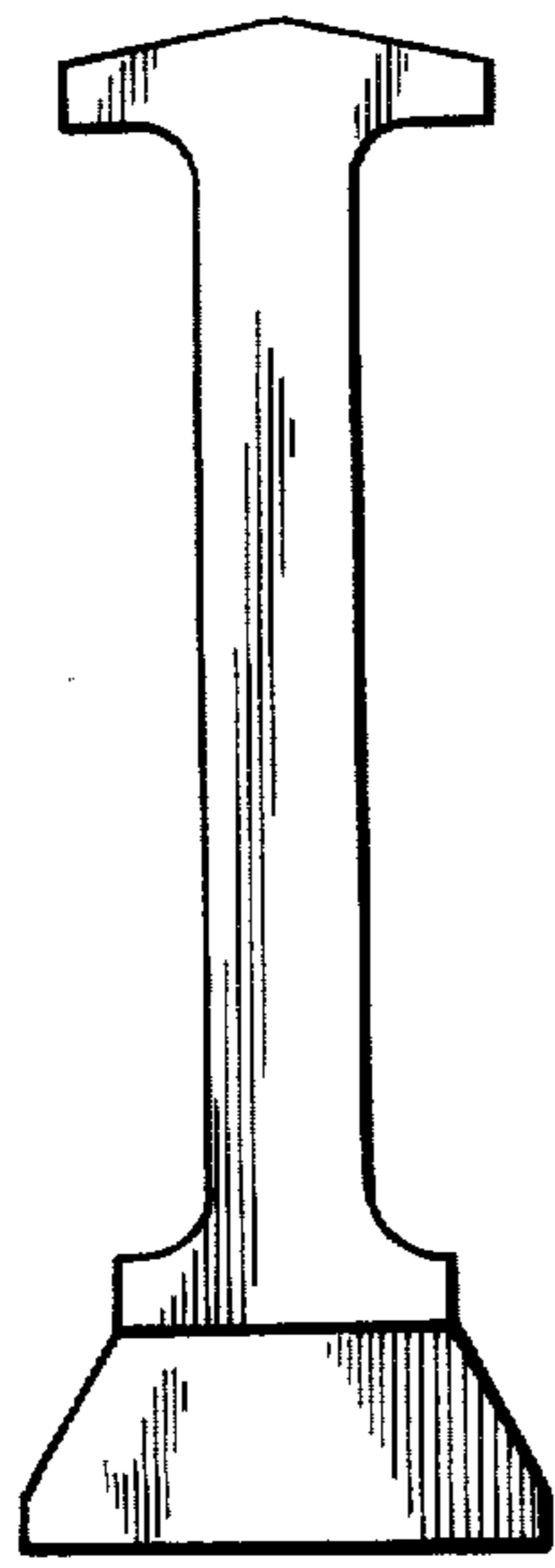


FIG. 4

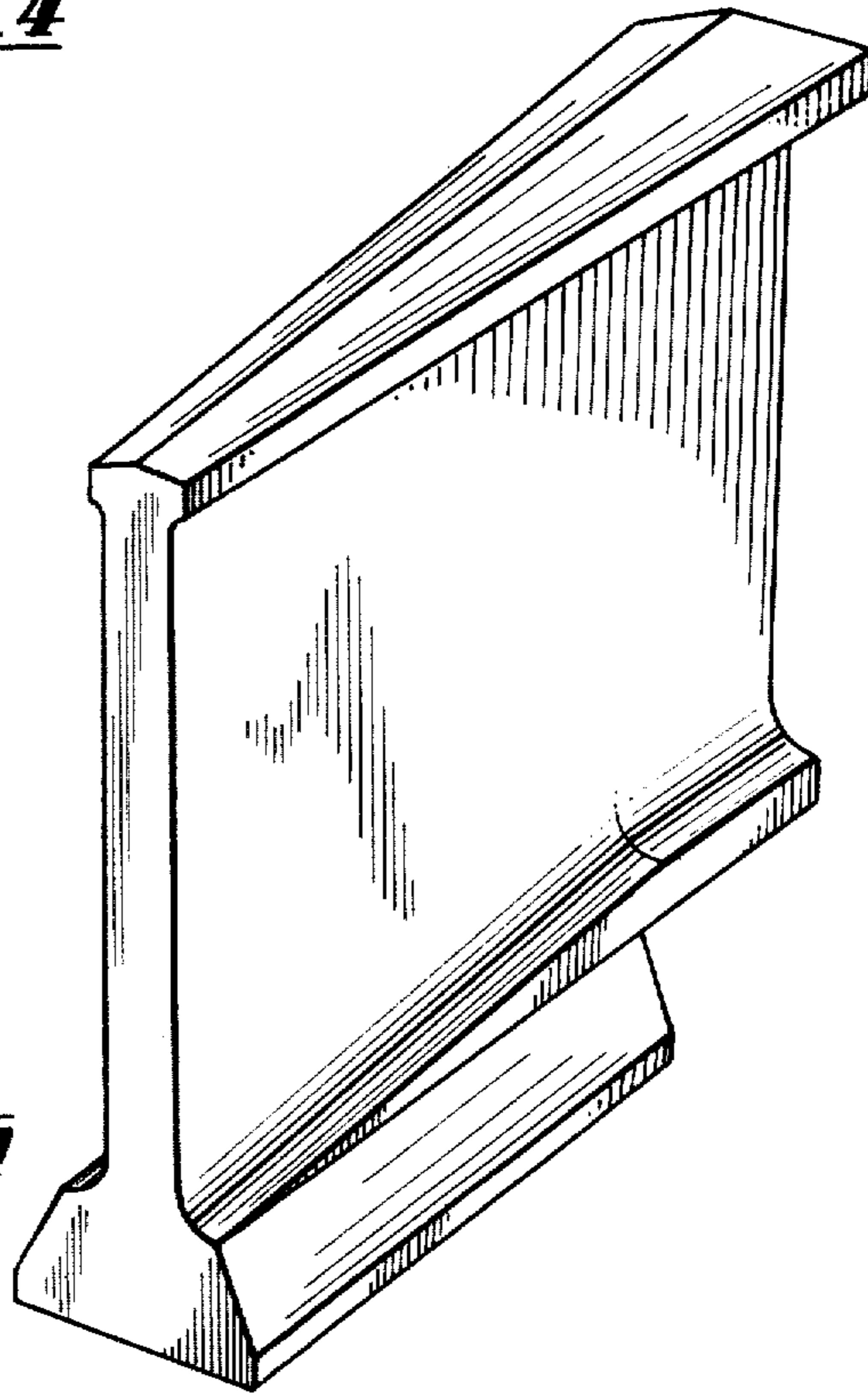


FIG. 5