

- [54] **CART**
- [75] Inventor: **Richard S. Havlick**, Gloversville, N.Y.
- [73] Assignee: **N. A. Taylor Co., Inc.**, Gloversville, N.Y.
- [\*\*] Term: **14 Years**
- [21] Appl. No.: **217,257**
- [22] Filed: **Dec. 17, 1980**
- [51] Int. Cl. .... **D12-02**
- [52] U.S. Cl. .... **D34/26**
- [58] Field of Search ..... **D34/26, 24; 280/47.13, 280/47.17, 47.18, 47.24, 47.26, 47.27**

3,718,337 2/1973 Vosbikian et al. .... 280/47.26  
 3,831,877 8/1974 Bennett et al. .... D34/26

**OTHER PUBLICATIONS**

Hardware Age, 8/73, p. 142, Hose Reel Cart No. 23-804 (HR-44), lower left side of page.

*Primary Examiner*—James M. Gandy  
*Attorney, Agent, or Firm*—Joseph P. Flanagan

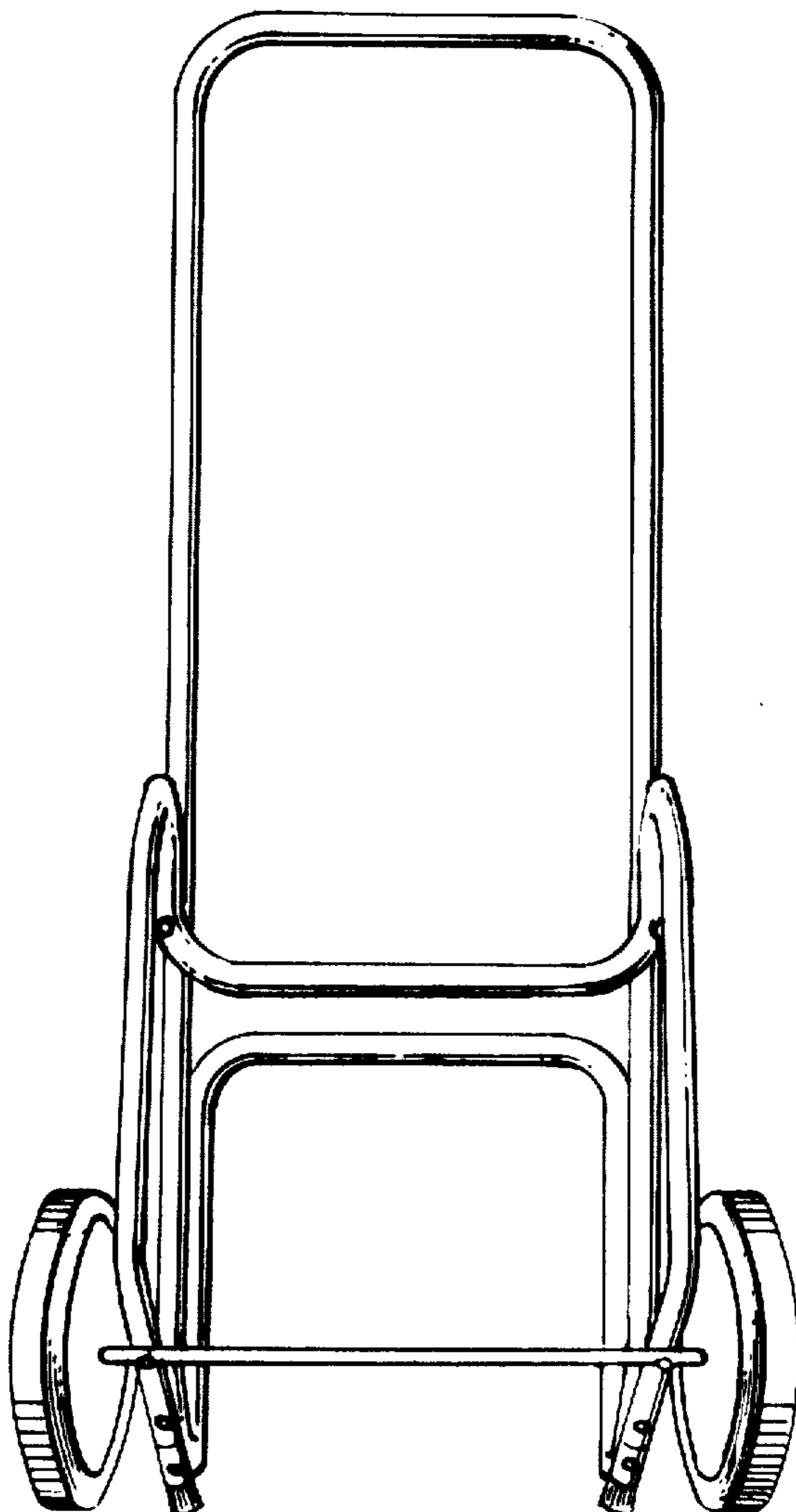
[57] **CLAIM**

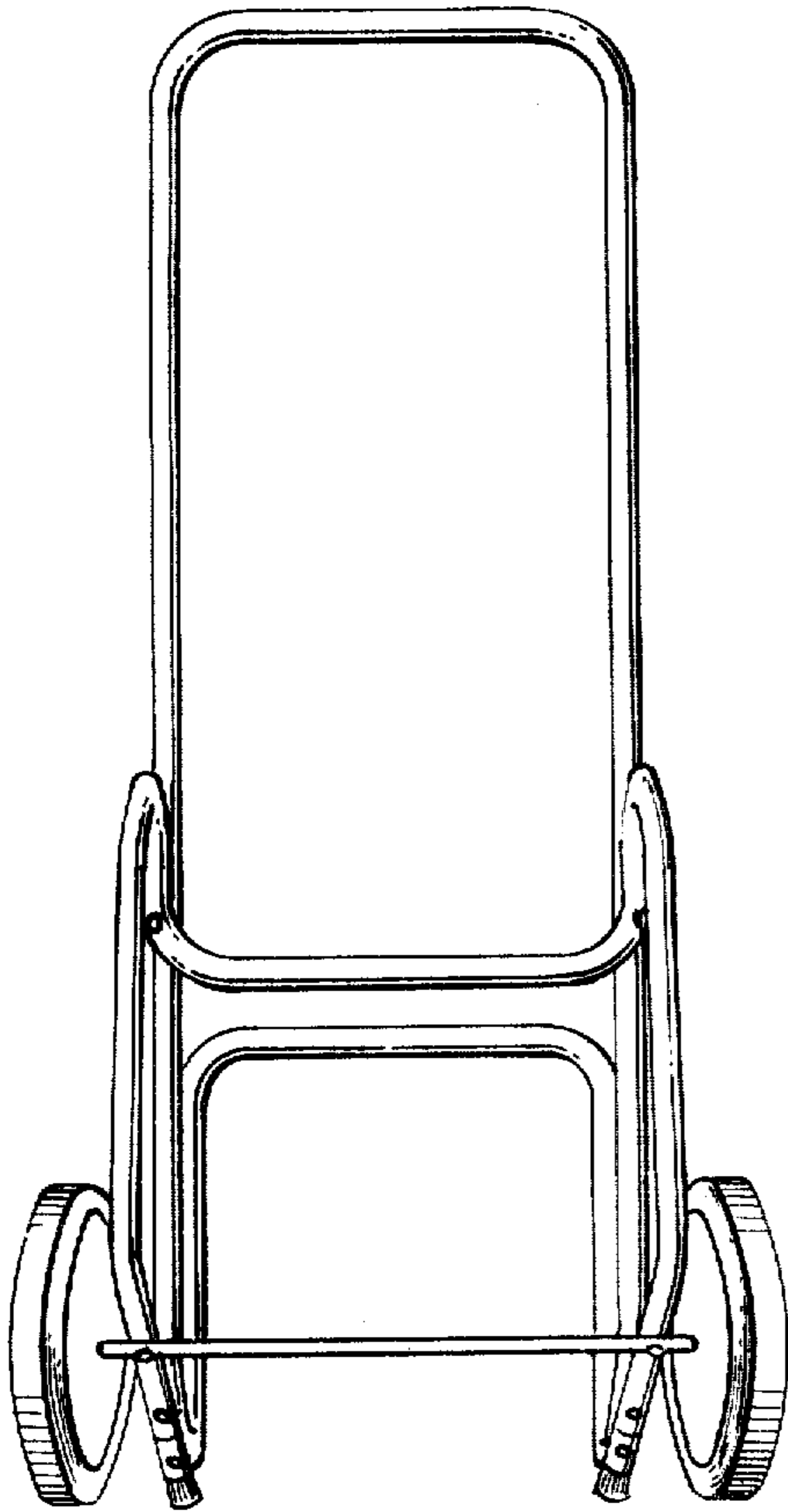
The ornamental design for a cart, as shown and described.

**DESCRIPTION**

FIG. 1 is a rear perspective view of a cart showing my new design;  
 FIG. 2 is a side perspective view thereof;  
 FIG. 3 is a rear perspective view of a cart showing a second embodiment of my new design;  
 FIG. 4 is a side perspective view of FIG. 3; and  
 FIG. 5 is a front elevational view of FIG. 3.

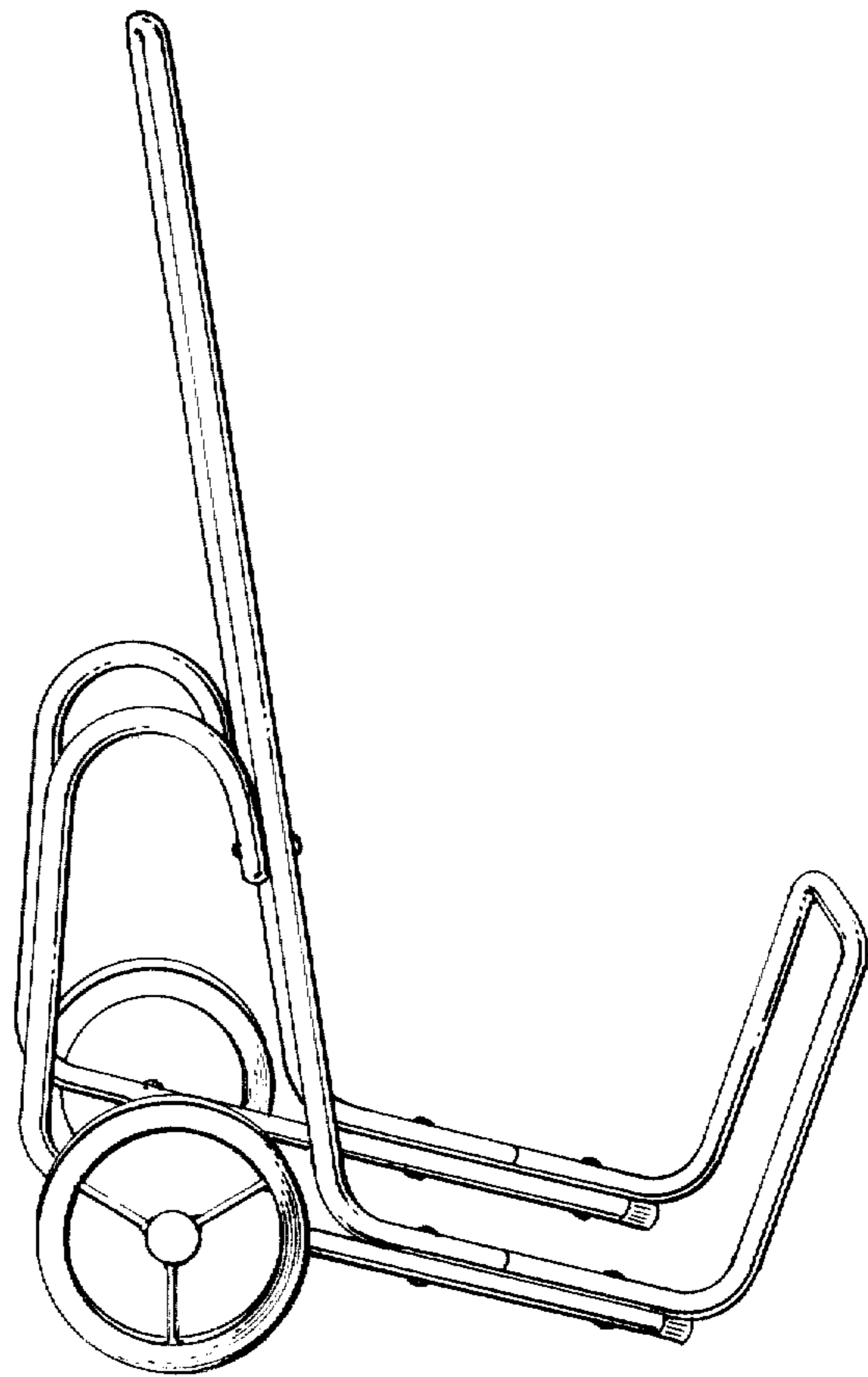
- [56] **References Cited**
- U.S. PATENT DOCUMENTS**
- D. 165,191 11/1951 Reece ..... D34/24
- 1,728,081 9/1929 Rust ..... 280/47.18



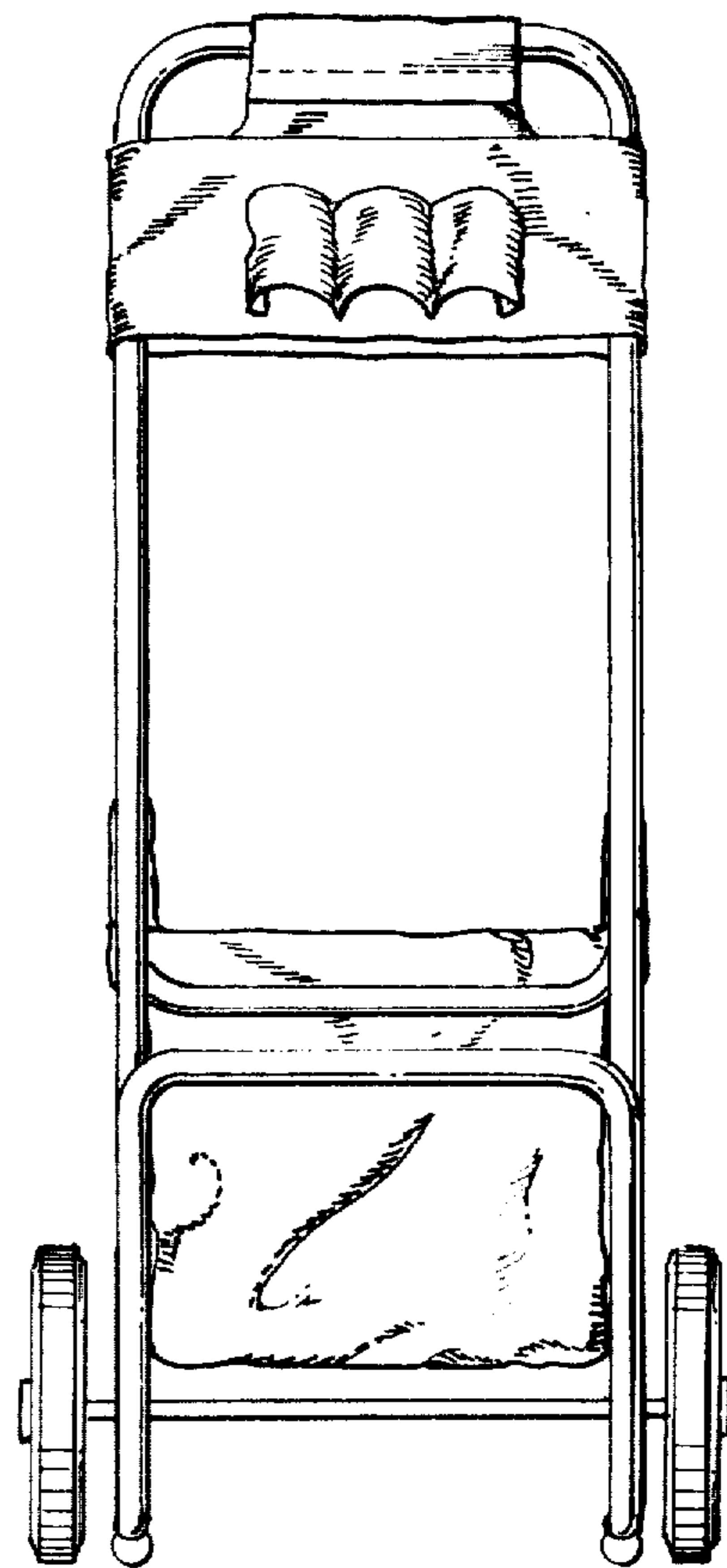
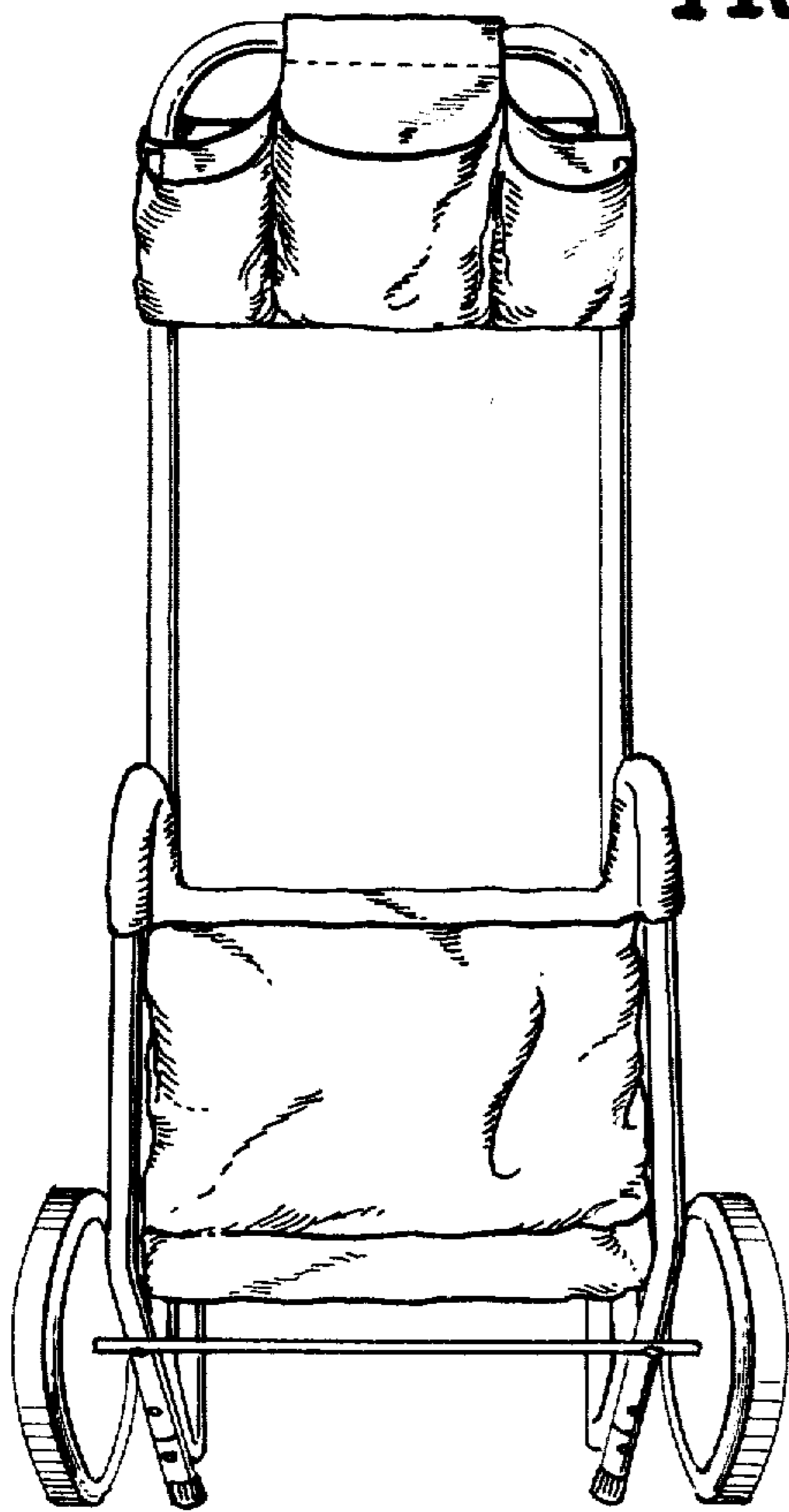


**FIG. 1**

**FIG. 2**



**FIG. 3**



**FIG. 5**

**FIG. 4**

