

[54] **SURGICAL RESTRAINER FOR SMALL ANIMALS**

[75] Inventors: **Richard L. Lange; Randall L. Lange,** both of Knoxville, Tenn.

[73] Assignee: **Mark Anderson,** Elmwood, Wis.

[\*\*] Term: **14 Years**

[21] Appl. No.: **209,677**

[22] Filed: **Nov. 24, 1980**

[51] Int. Cl. .... **D30-99**  
[52] U.S. Cl. .... **D30/33; D24/64**  
[58] Field of Search .... **D30/33, 45, 99;**  
119/968, 103; **D24/64**

[56] **References Cited**  
**U.S. PATENT DOCUMENTS**

D. 201,010 5/1965 Koon et al. .... **D30/33**  
D. 245,796 9/1977 Kaplan .... **D30/33**

1,987,977 1/1935 Shannon ..... 119/103  
2,491,951 12/1949 Buettner et al. .... 119/96  
2,603,184 7/1952 Cook ..... 119/96  
2,788,767 4/1957 Dooley ..... 119/96 X  
3,137,273 6/1964 Greenwood ..... 119/103  
3,337,883 8/1967 Allison ..... **D24/64 X**  
3,368,564 2/1968 Selix ..... 128/133 X  
3,496,935 2/1970 Bell, Jr. .... 119/96  
4,321,890 3/1982 Lange et al. .

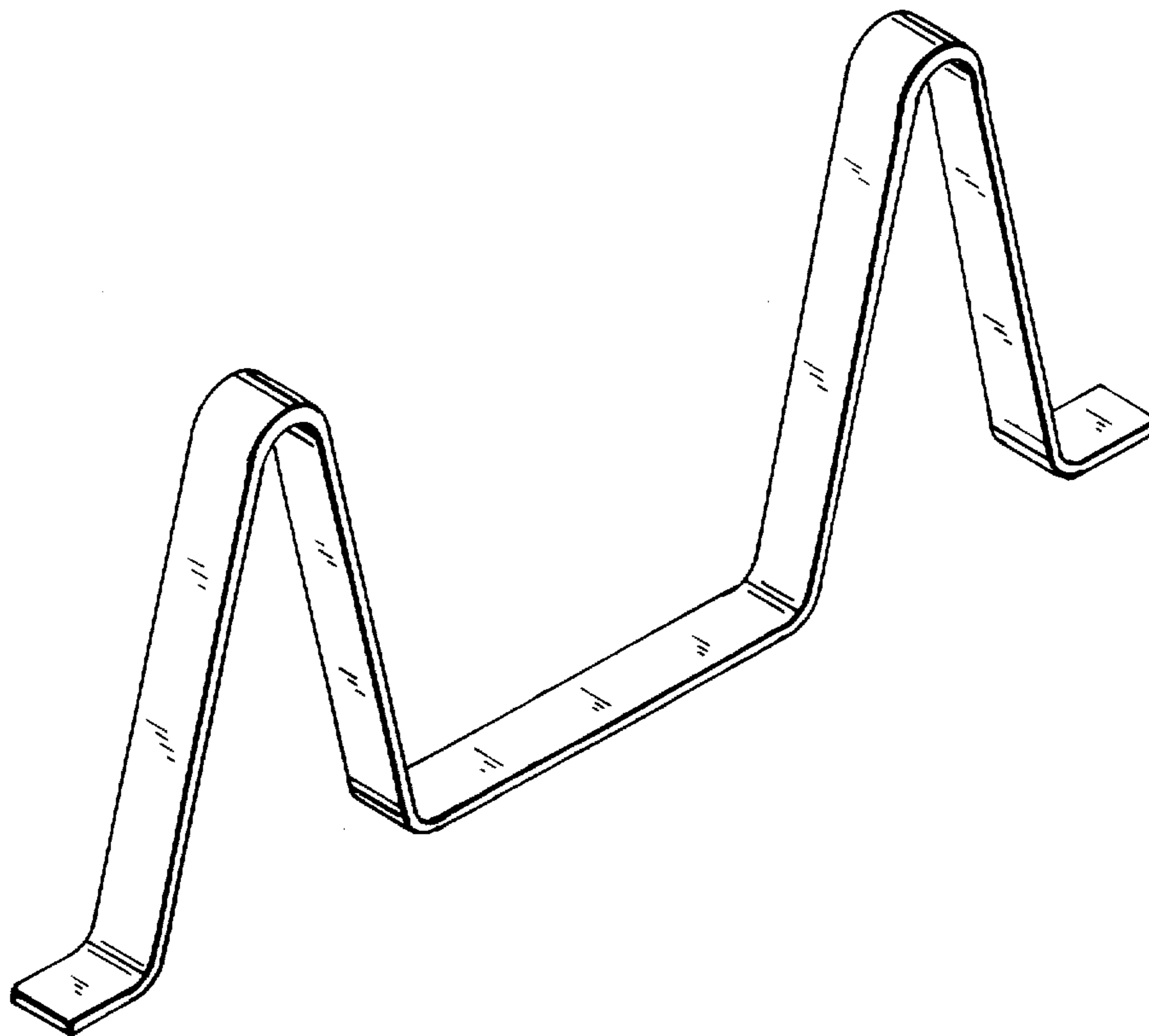
*Primary Examiner*—James R. Largen  
*Attorney, Agent, or Firm*—Edward H. Loveman

[57] **CLAIM**

The ornamental design for a surgical restrainer for small animals, as shown and described.

**DESCRIPTION**

FIG. 1 is a perspective view of a surgical restrainer for small animals showing our new design; FIG. 2 is a top plan view thereof; FIG. 3 is a front elevational view thereof; and FIG. 4 is a right side elevational view thereof.



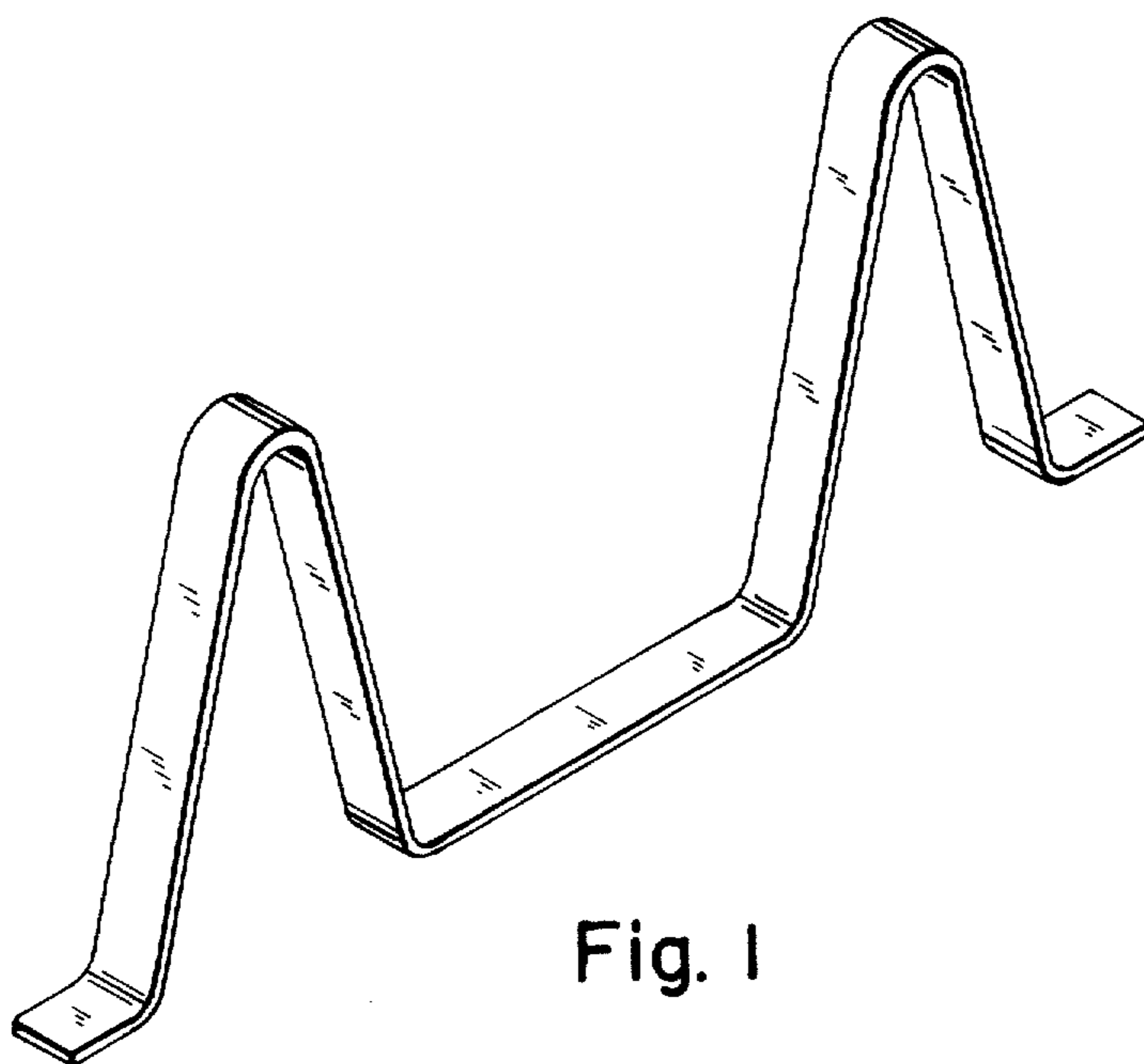


Fig. 1



Fig. 2

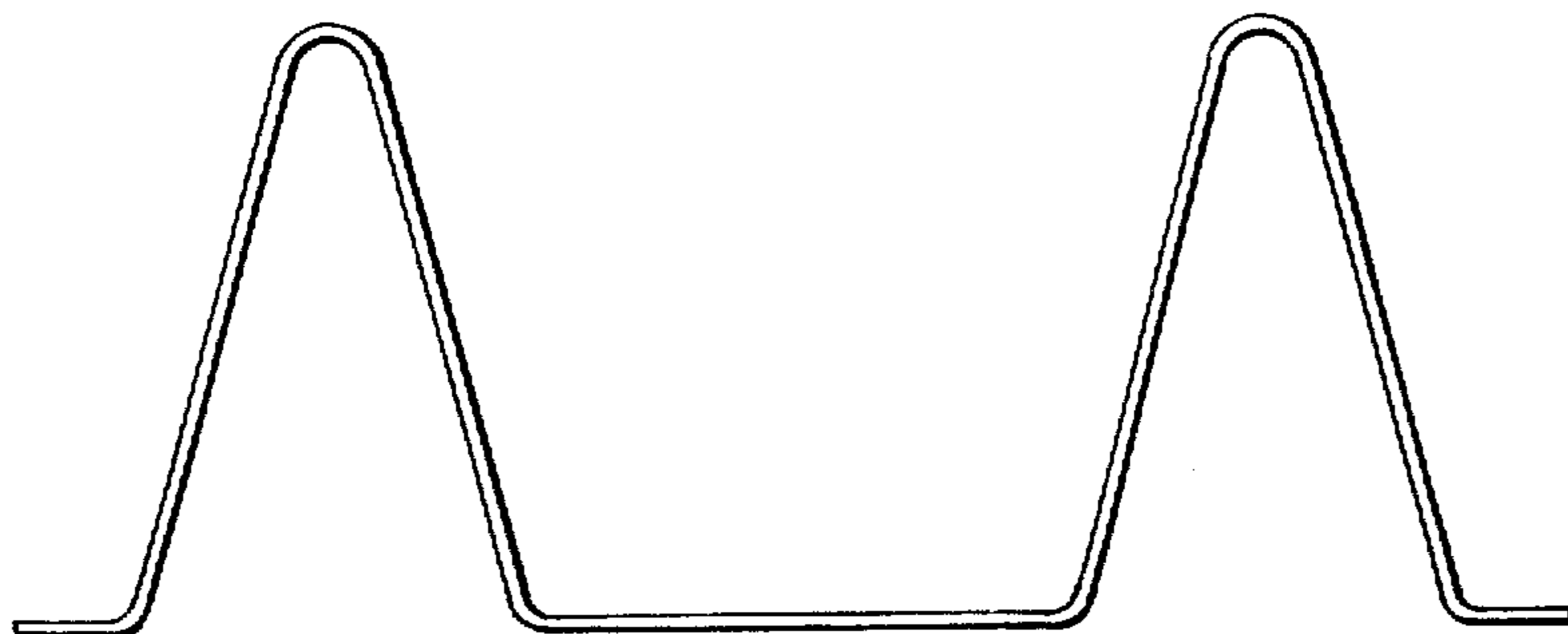


Fig. 3



Fig. 4