

[54] **DENTAL FLOSS HOLDER**
 [76] **Inventor:** James M. Givens, 4929 Collwood Blvd., C5, San Diego, Calif. 92115
 [**] **Term:** 14 Years
 [21] **Appl. No.:** 386,165
 [22] **Filed:** Jun. 7, 1982
 [51] **Int. Cl.** D24—04; D24—99
 [52] **U.S. Cl.** D28/64; 132/91
 [58] **Field of Search** D28/64; 128/91, 92 R, 128/89, 90, 92 A

3,908,677 9/1975 Beach 132/91
 3,926,201 12/1975 Katz 132/91
 3,974,842 8/1976 Chodorow 132/91
 4,006,750 2/1977 Chodorow 132/91
 4,029,453 6/1977 Champion, Jr. 132/91 X
 4,094,328 6/1978 Ray 132/92
 4,162,687 1/1979 Lorch 132/91
 4,192,330 3/1980 Johnson 132/91

Primary Examiner—Bernard Ansher
Attorney, Agent, or Firm—Ralph S. Branscomb

[57] **CLAIM**

The ornamental design for dental floss holder, as shown and described.

[56] **References Cited**
U.S. PATENT DOCUMENTS

D. 226,917 5/1973 Foster D28/64
 D. 228,767 10/1973 Anderson D28/64
 D. 244,376 5/1977 Chodorow D28/64
 D. 251,074 2/1979 Schiff D28/64
 3,340,881 9/1967 Cowan 132/92
 3,828,804 8/1974 Ely 132/91

DESCRIPTION

FIG. 1 is a front elevation of a dental floss holder showing my new design;
 FIG. 2 is a side elevation thereof;
 FIG. 3 is a top plan view thereof;
 FIG. 4 is a cross-section taken on line 4—4 of FIG. 1;
 FIG. 5 is a bottom plan view; and
 FIG. 6 is a cross-section taken on line 6—6 of FIG. 1.

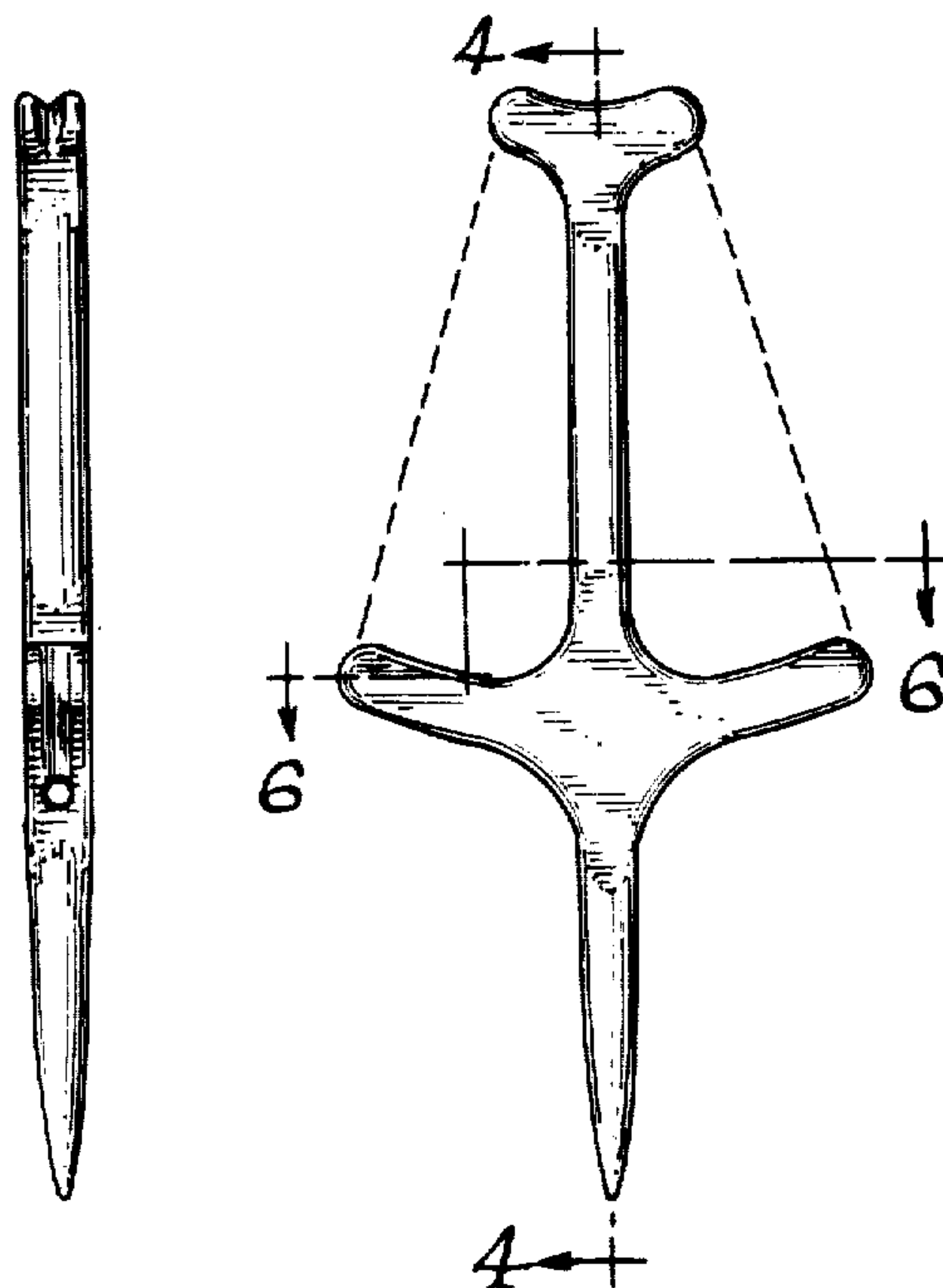


Fig. 3



Fig. 2



Fig. 1

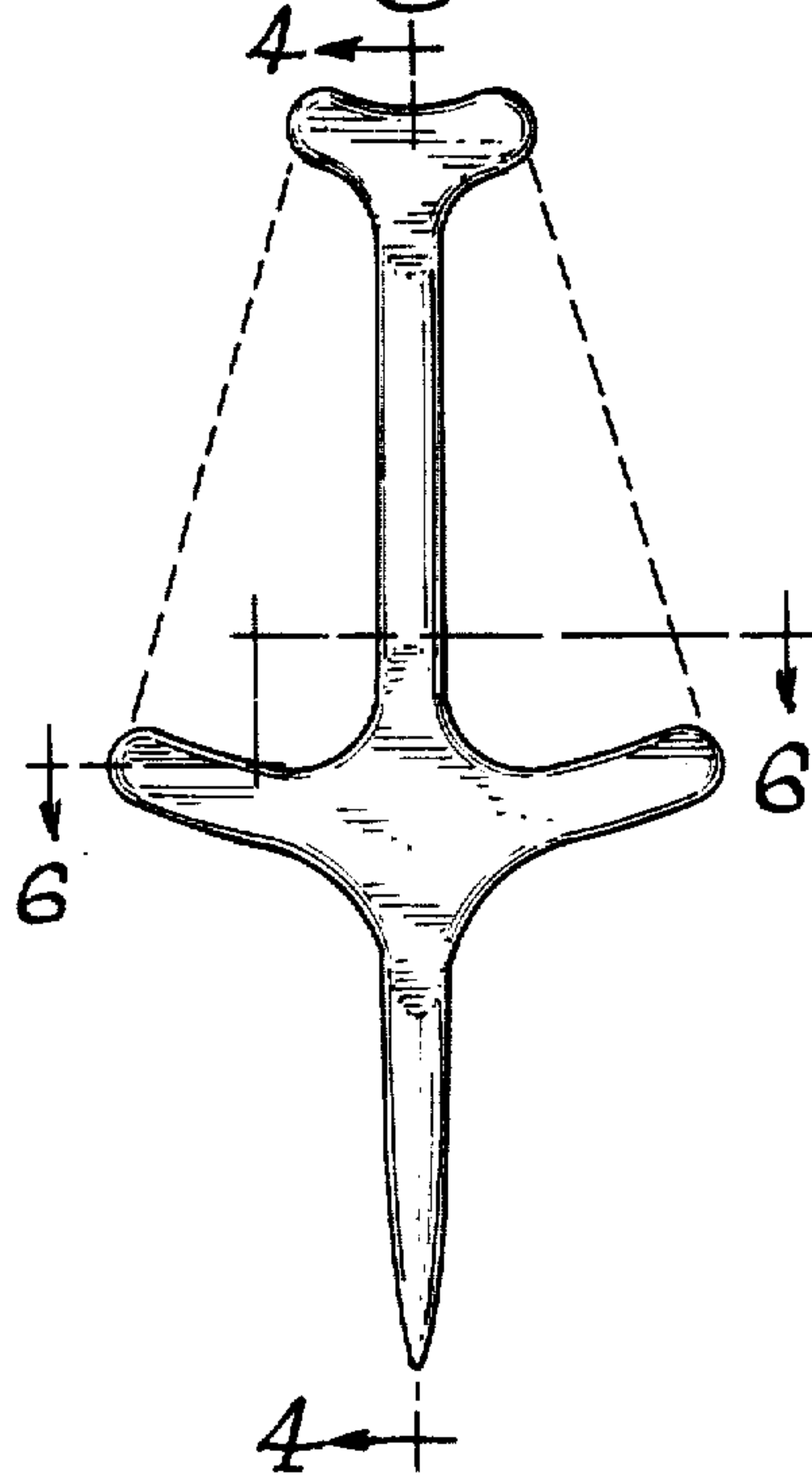


Fig. 4



Fig. 5



Fig. 6

