

[54] **CIRCULAR FLUORESCENT LAMP**

[75] **Inventor: William J. Roche, Merrimac, Mass.**

[73] **Assignee: GTE Products Corporation, Stamford, Conn.**

[**] **Term: 14 Years**

[21] **Appl. No.: 255,616**

[22] **Filed: Apr. 20, 1981**

[51] **Int. Cl. D26—04; D26—05**

[52] **U.S. Cl. D26/3; D26/26; D26/79**

[58] **Field of Search D26/1, 3, 26, 79; 362/216; 315/52, 53, 57, 58, 59, 62; 313/493, 484, 485, 487, 317, 318**

[56] **References Cited**

U.S. PATENT DOCUMENTS

D. 132,213 4/1942 Miller D26/3
4,109,303 8/1978 Hetherington 362/216

FOREIGN PATENT DOCUMENTS

839830 5/1952 Fed. Rep. of Germany 362/216

Primary Examiner—Susan J. Lucas
Attorney, Agent, or Firm—William H. McNeill

[57] **CLAIM**

The ornamental design for a circular fluorescent lamp, substantially as shown and described.

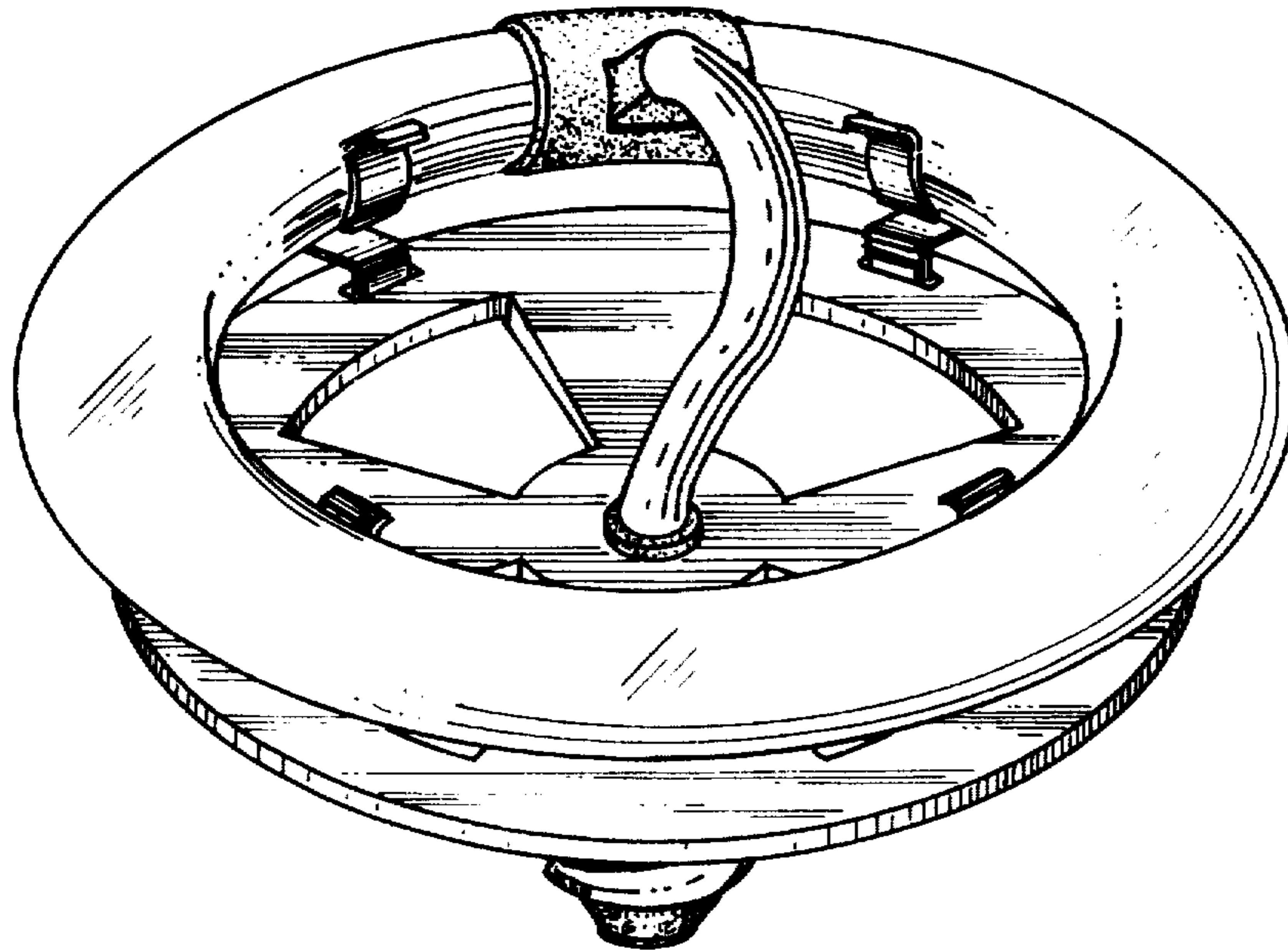
DESCRIPTION

FIG. 1 is a top, plan view of a circular fluorescent lamp illustrating my new design;

FIG. 2 is a bottom, plan view thereof;

FIG. 3 is a side elevational view thereof; and

FIG. 4 is a perspective view thereof on a reduced scale.



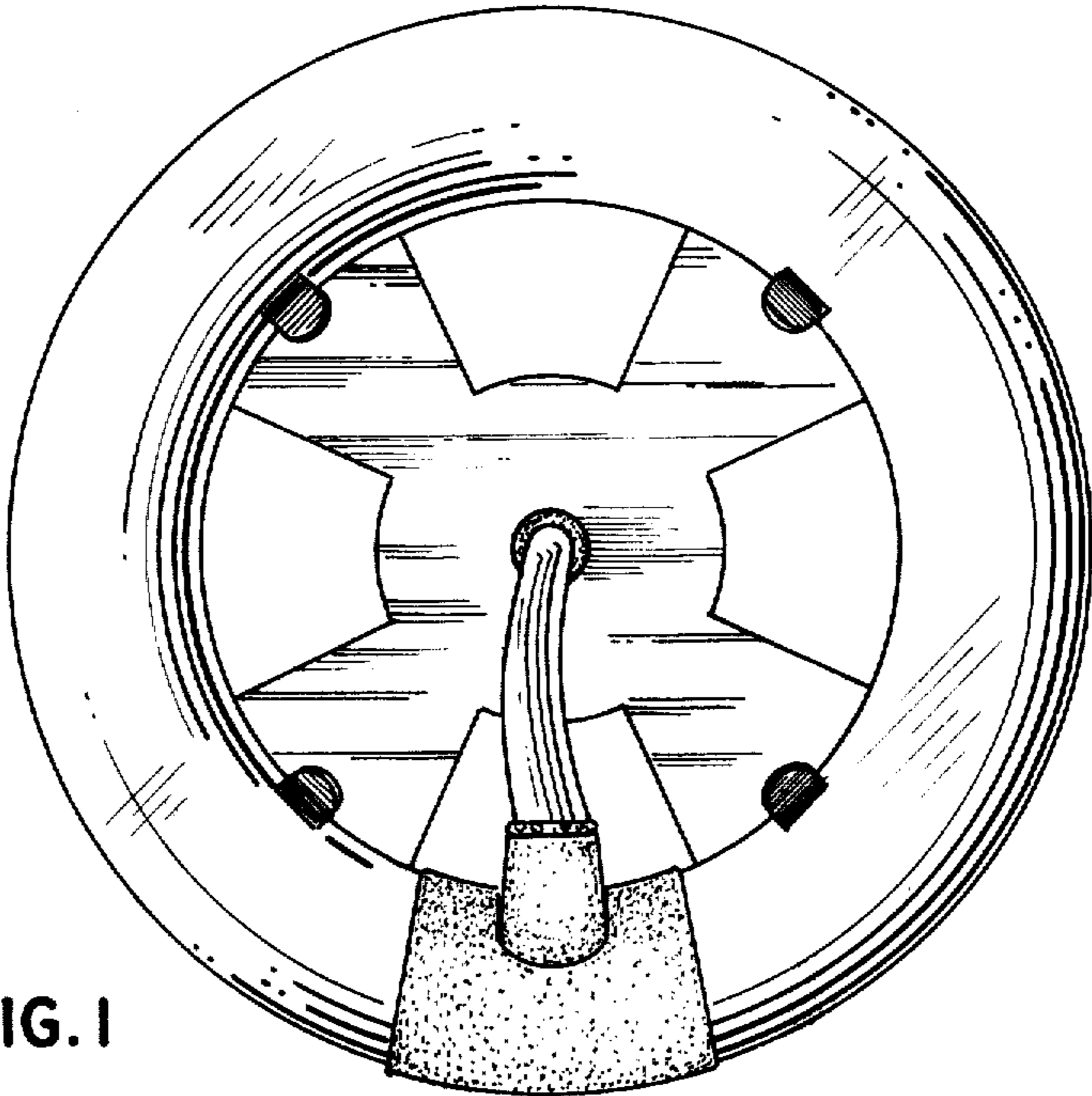


FIG. 1

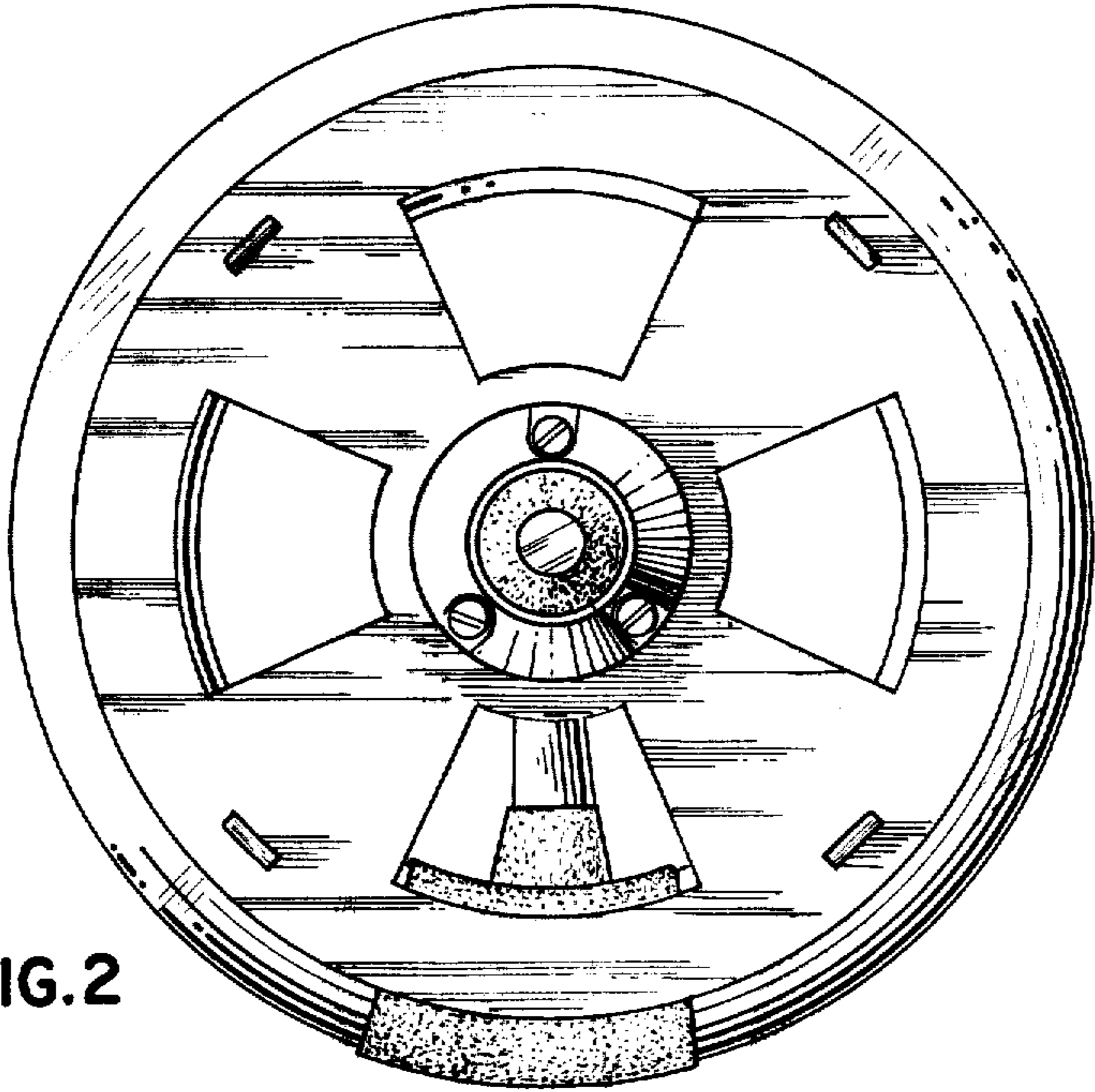


FIG. 2

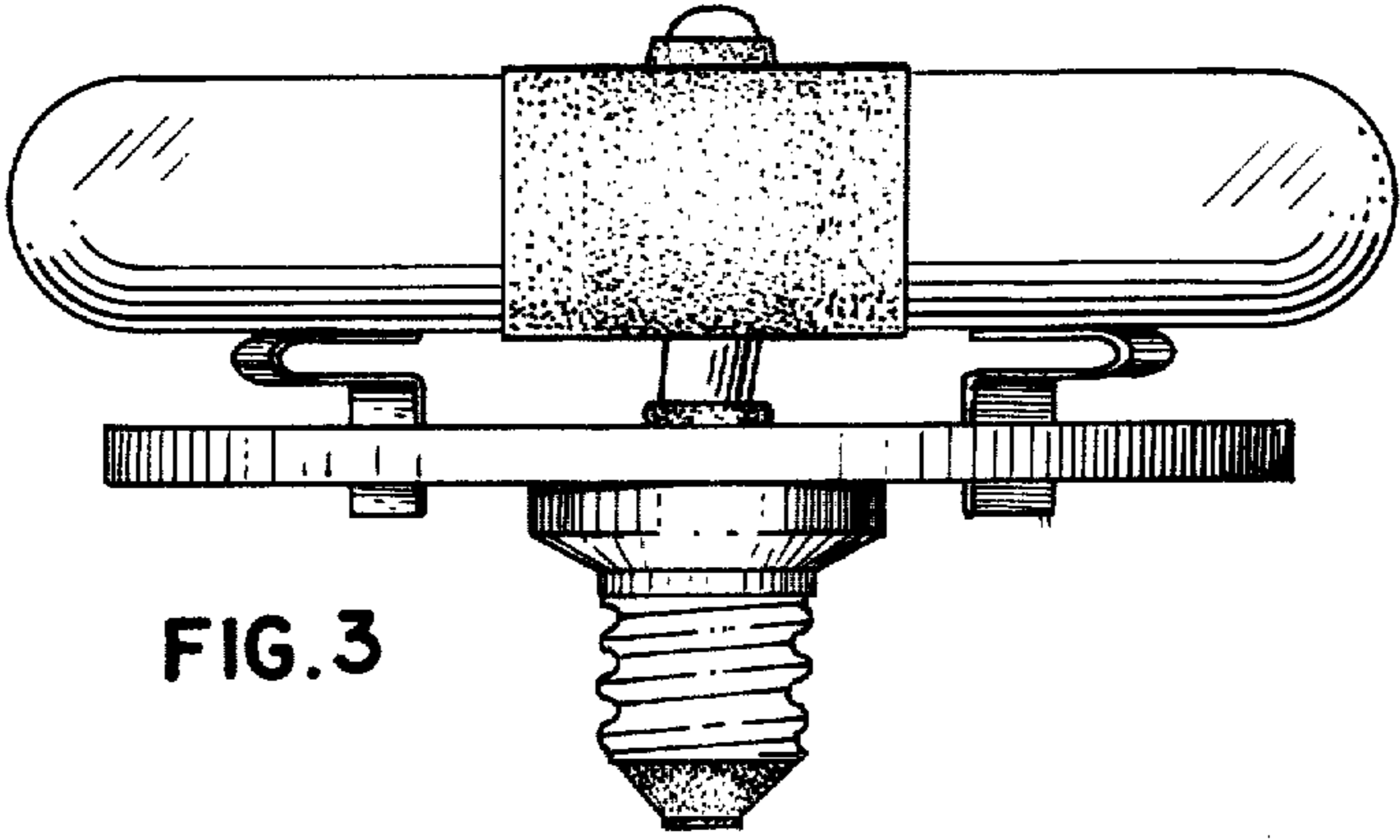


FIG. 3

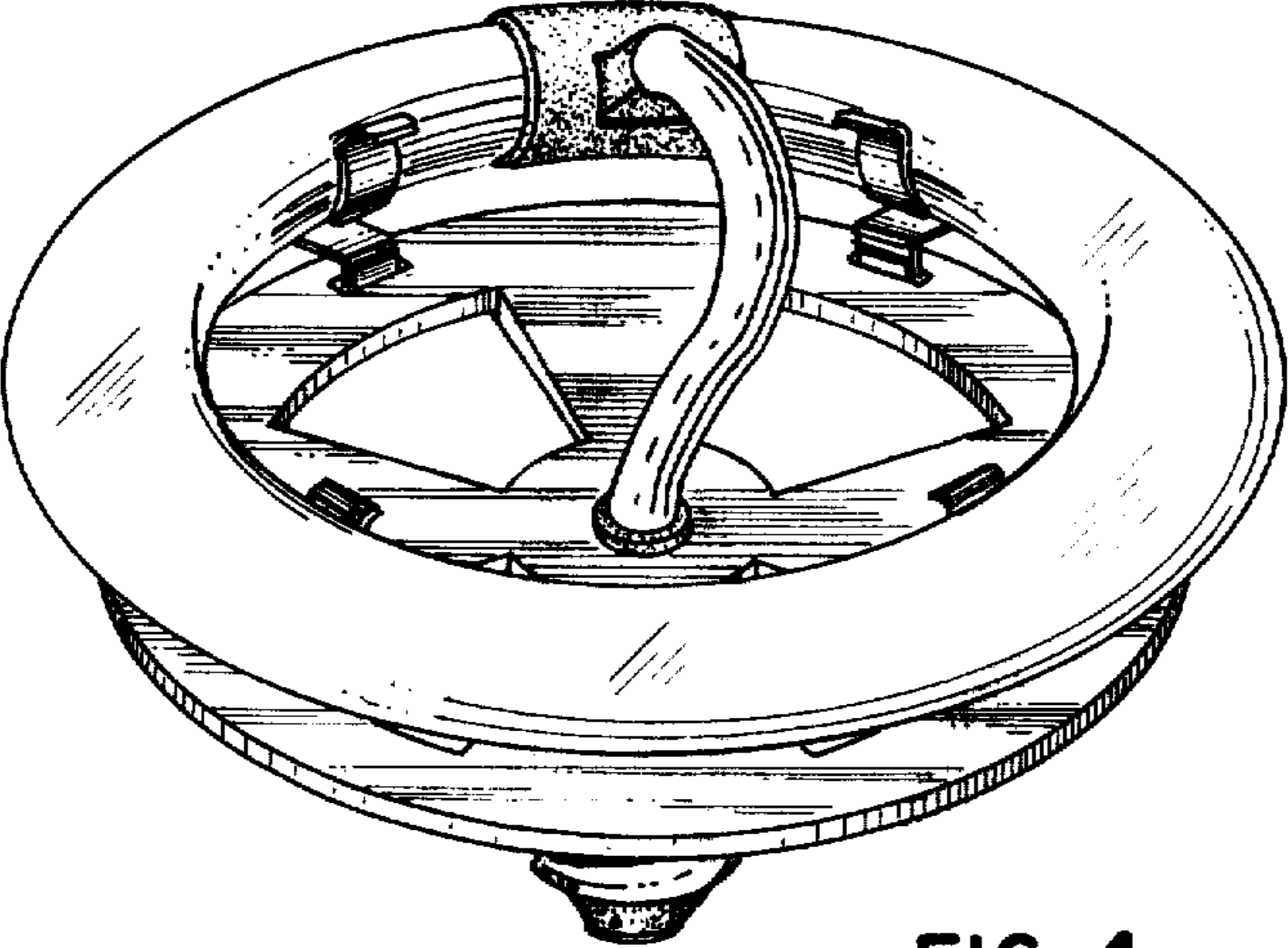


FIG. 4