

[54] UPRIGHT PORTABLE ELECTRIC HEATER

[56]

References Cited

U.S. PATENT DOCUMENTS

[76] Inventor: Charles F. Kerchner, Jr., R.D. 3, Box 174A, Northampton, Pa. 18067

D. 225,851 1/1973 Cowan D23/122
D. 259,892 7/1981 Boekamp D23/122

[**] Term: 14 Years

Primary Examiner—Catherine E. Kemper
Attorney, Agent, or Firm—Robert A. Green

[21] Appl. No.: 176,128

[57] CLAIM

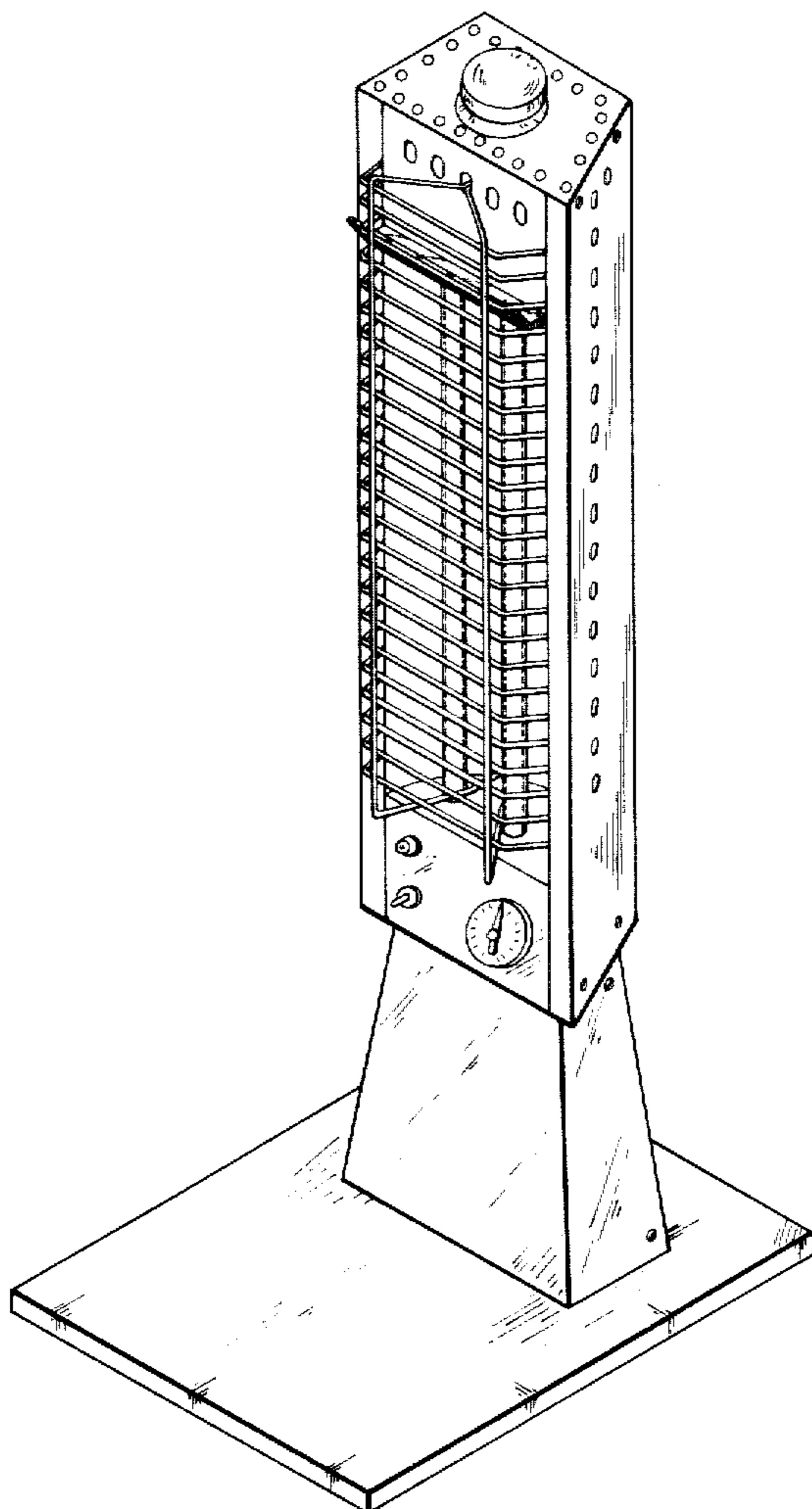
The ornamental design for an upright portable electric heater, as shown and described.

[22] Filed: Aug. 7, 1980

DESCRIPTION

[51] Int. Cl. D23-03
[52] U.S. Cl. D23/123
[58] Field of Search D23/72, 92, 93, 109-111,
D23/112, 117, 118, 122-124; 219/342, 343, 347,
354

FIG. 1 is a perspective view of an upright portable electric heater showing my new design;
FIG. 2 is a front elevational view thereof;
FIG. 3 is a side elevational view thereof.
The rear surfaces of the heater are substantially flat and unornamented.



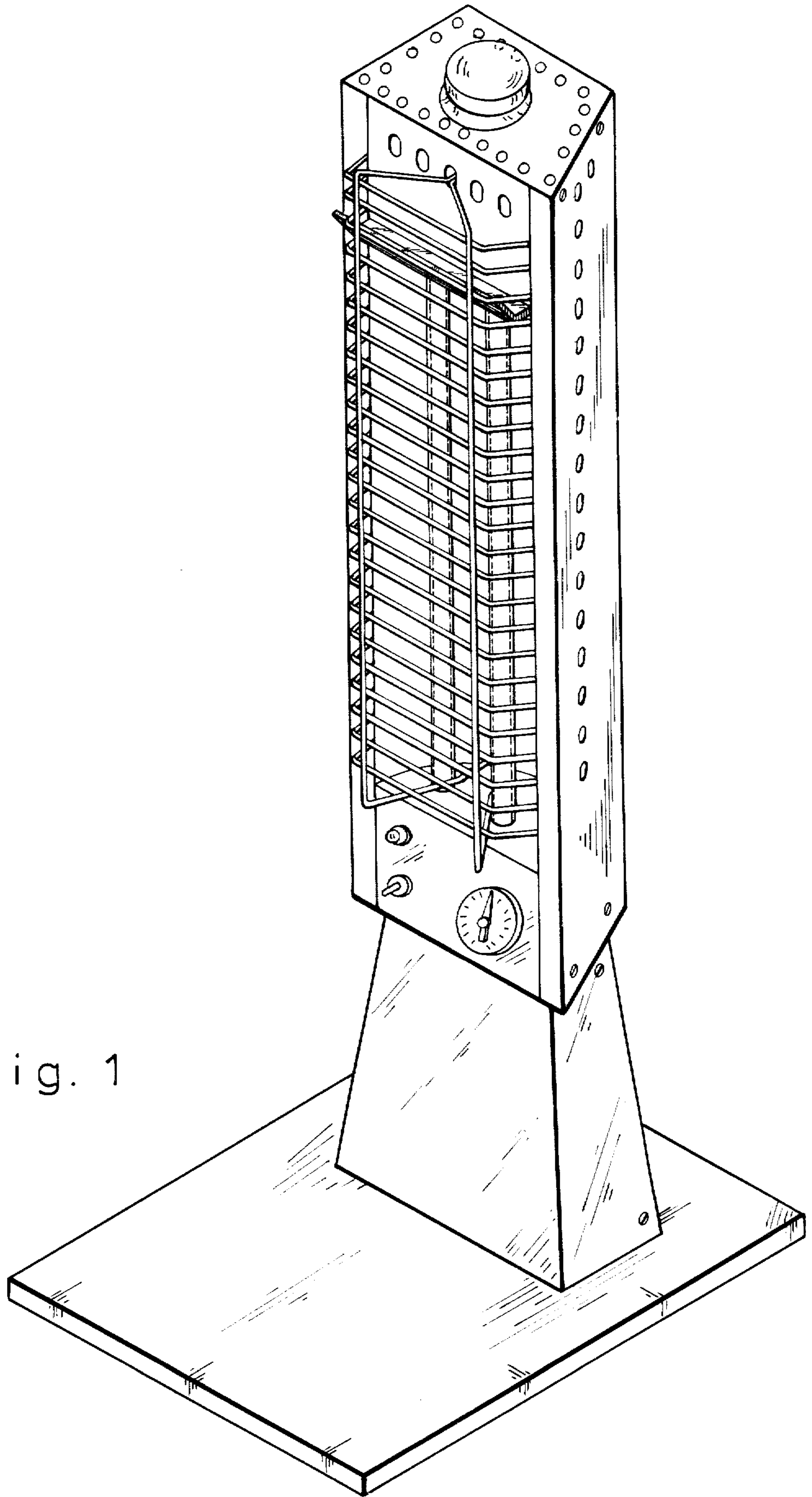


Fig. 1

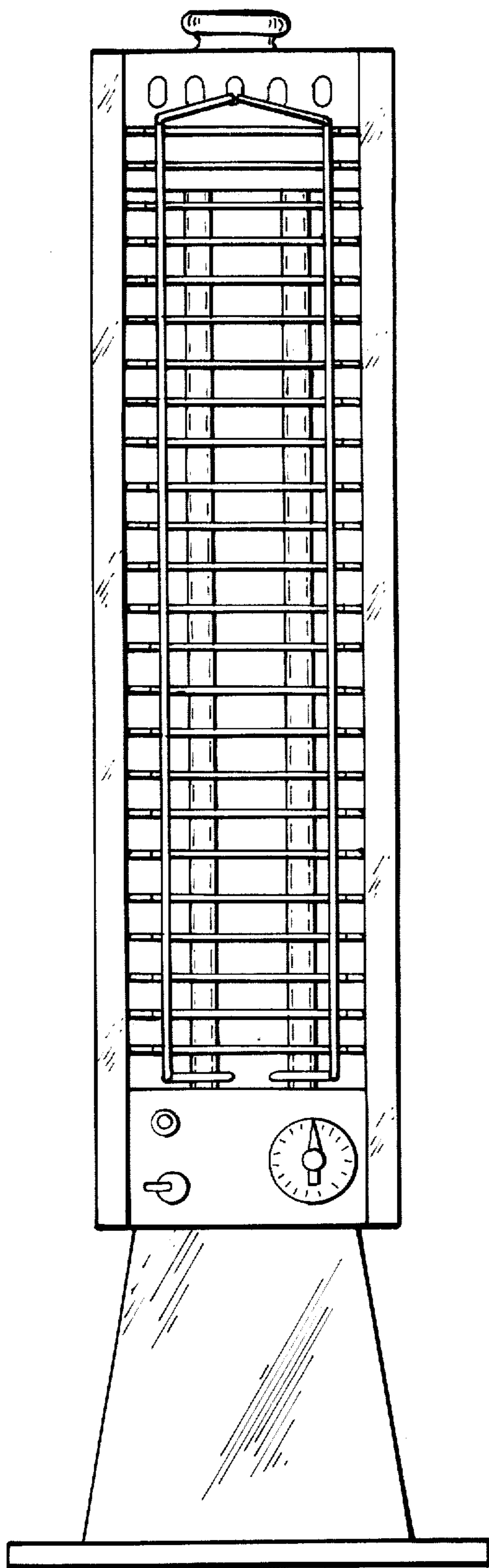


Fig. 2

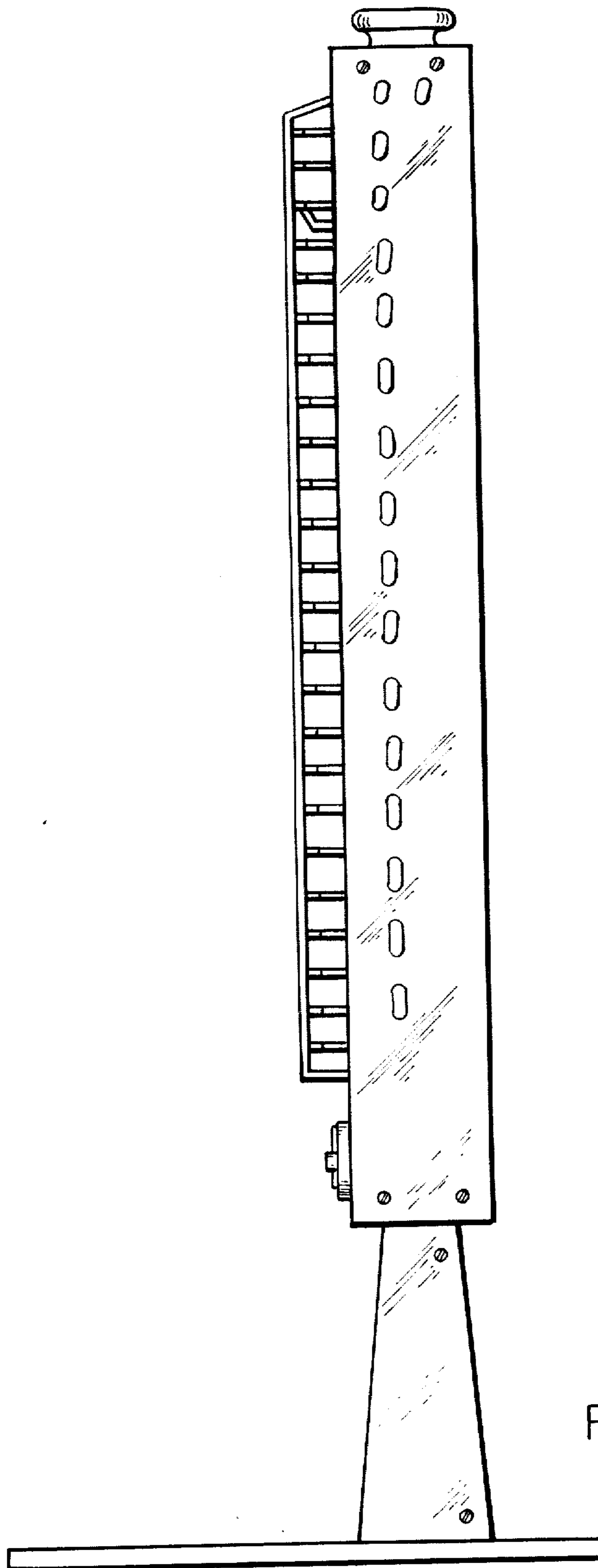


Fig. 3