

- [54] **COMBINED FRESH AIR MAKE-UP AND TEMPERATURE CONTROL UNIT**
- [75] Inventor: **Leroy E. Anderson, Detroit Lakes, Minn.**
- [73] Assignee: **Standex International Corporation, Salem, N.H.**
- [\*\*] Term: **14 Years**
- [21] Appl. No.: **210,268**
- [22] Filed: **Nov. 26, 1980**
- [51] Int. Cl. .... **D23-03**
- [52] U.S. Cl. .... **D23/111; D23/112; D23/113; D23/114; D23/151**
- [58] Field of Search ..... **D23/41, 112, 113, 114, D23/139, 140, 149-167; 98/29, 40 C; 219/366-370, 373**

2,978,568	4/1961	Murphy	219/39
2,980,785	4/1961	Whitney, Jr.	219/34
3,025,382	3/1962	Eisele	219/39
3,028,475	4/1962	Nash	219/39
3,059,447	10/1962	Brugler	62/183
3,111,573	11/1963	Crowe et al.	219/39
3,139,020	6/1964	Schemenauer	98/38
3,157,776	11/1964	Sohn et al.	219/369
3,165,625	1/1965	Potter	219/369
3,263,749	8/1966	Dormitzer	165/122
3,348,021	10/1967	Skogland et al.	219/370
3,590,217	6/1971	Steiner	219/370
3,590,218	6/1971	Steiner	219/270
3,631,525	12/1971	Brasch	219/366
3,731,057	5/1973	Kunz et al.	219/363
3,865,182	2/1975	Blossom	165/27
3,909,589	9/1975	Stone et al.	219/361
3,951,336	4/1976	Miller et al.	98/1.5
4,072,187	2/1978	Lodge	165/48

*Primary Examiner*—James R. Largen  
*Attorney, Agent, or Firm*—Schroeder, Siegfried, Vidas, Steffey & Arrett

[56] **References Cited**  
**U.S. PATENT DOCUMENTS**

D. 153,487	4/1949	Adam	D23/111
D. 254,442	3/1980	Cervone	D23/149
1,442,588	1/1923	Tompkins	98/29 X
1,677,421	7/1928	Yager et al.	98/29
1,713,648	5/1929	Feinberg et al.	98/29
1,789,135	1/1931	Chiniewicz	
1,931,156	10/1933	Persons	98/29 X
2,132,263	10/1938	Hambleton	219/38
2,285,161	6/1942	Jenn	98/29
2,561,928	7/1951	Johnston	219/34
2,755,794	7/1956	Wendell	126/307
2,787,946	4/1957	Gannon	98/38
2,820,880	1/1958	Huntsinger et al.	219/39
2,882,383	4/1959	Boyd et al.	219/39
2,896,061	7/1959	McMillan	219/39
2,917,617	12/1959	Greubel	219/39

[57] **CLAIM**

The ornamental design for a combined fresh air make-up and temperature control unit, as shown and described.

**DESCRIPTION**

FIG. 1 is a perspective view of a combined fresh air make-up and temperature control unit embodying my design;  
 FIG. 2 is a right side elevational view thereof;  
 FIG. 3 is a left side elevational view thereof;  
 FIG. 4 is a front elevational view thereof;  
 FIG. 5 is a rear elevational view thereof;  
 FIG. 6 is a top plan view thereof; and  
 FIG. 7 is a bottom plan view thereof.

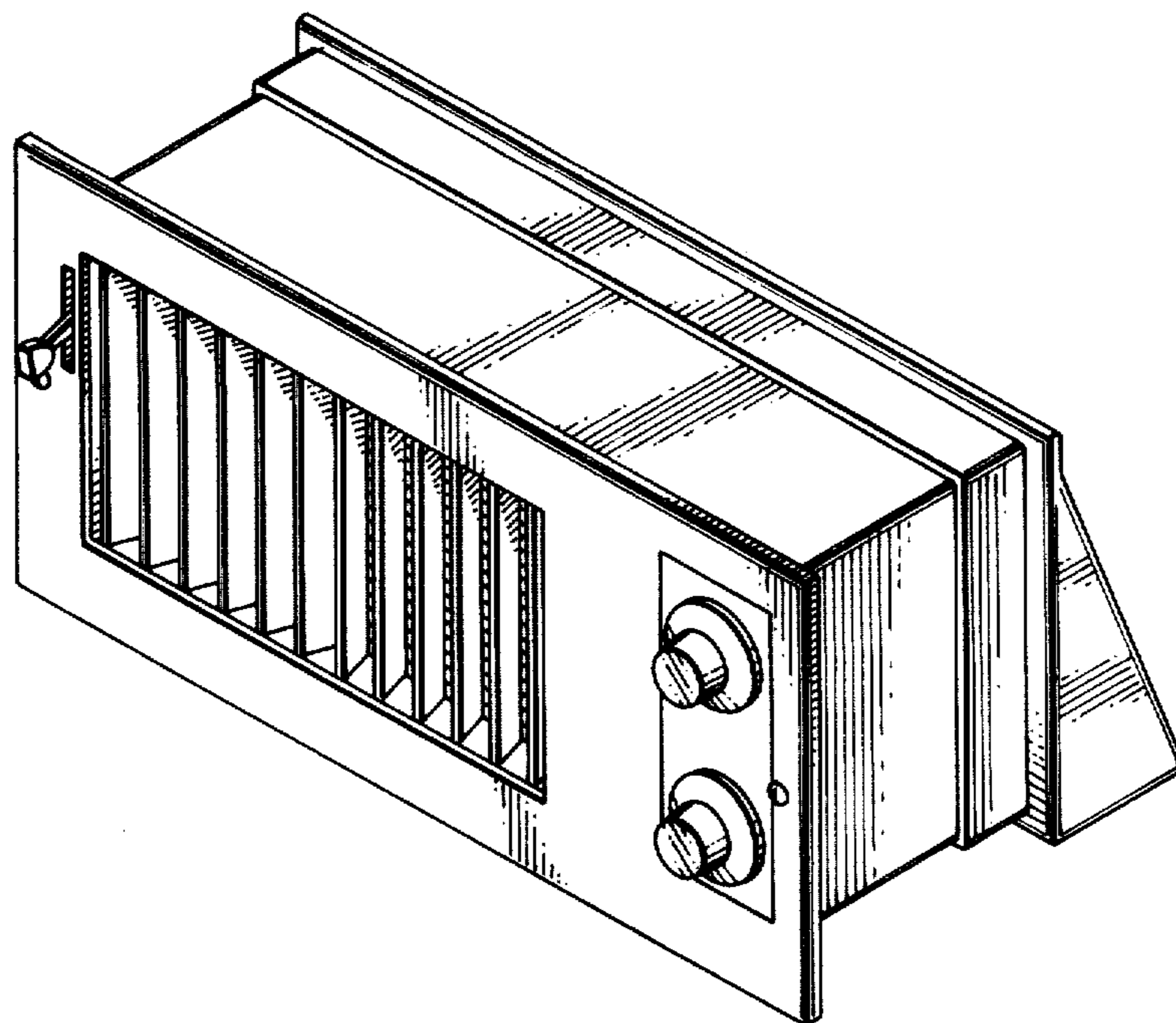


Fig. 1

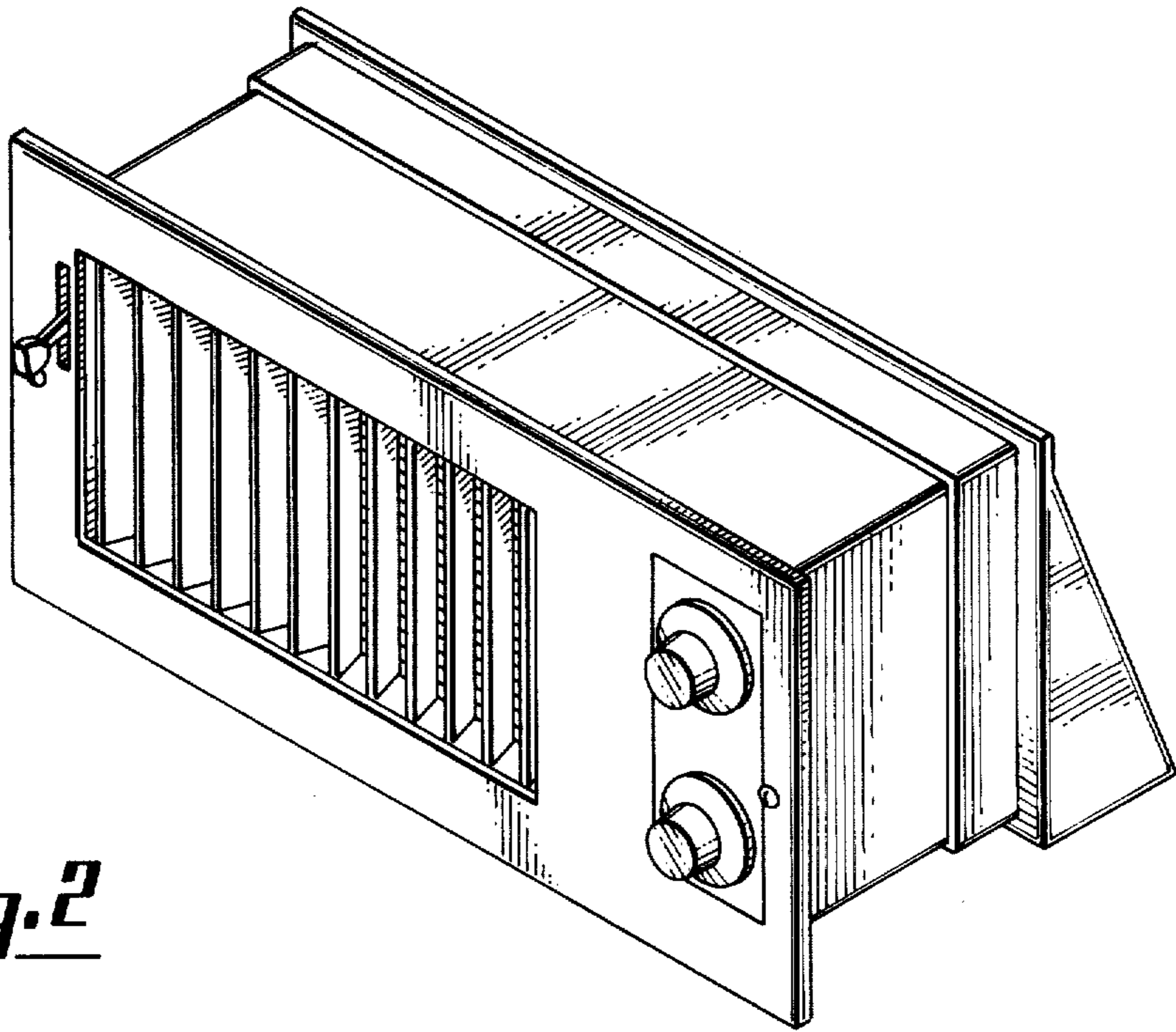


Fig. 2

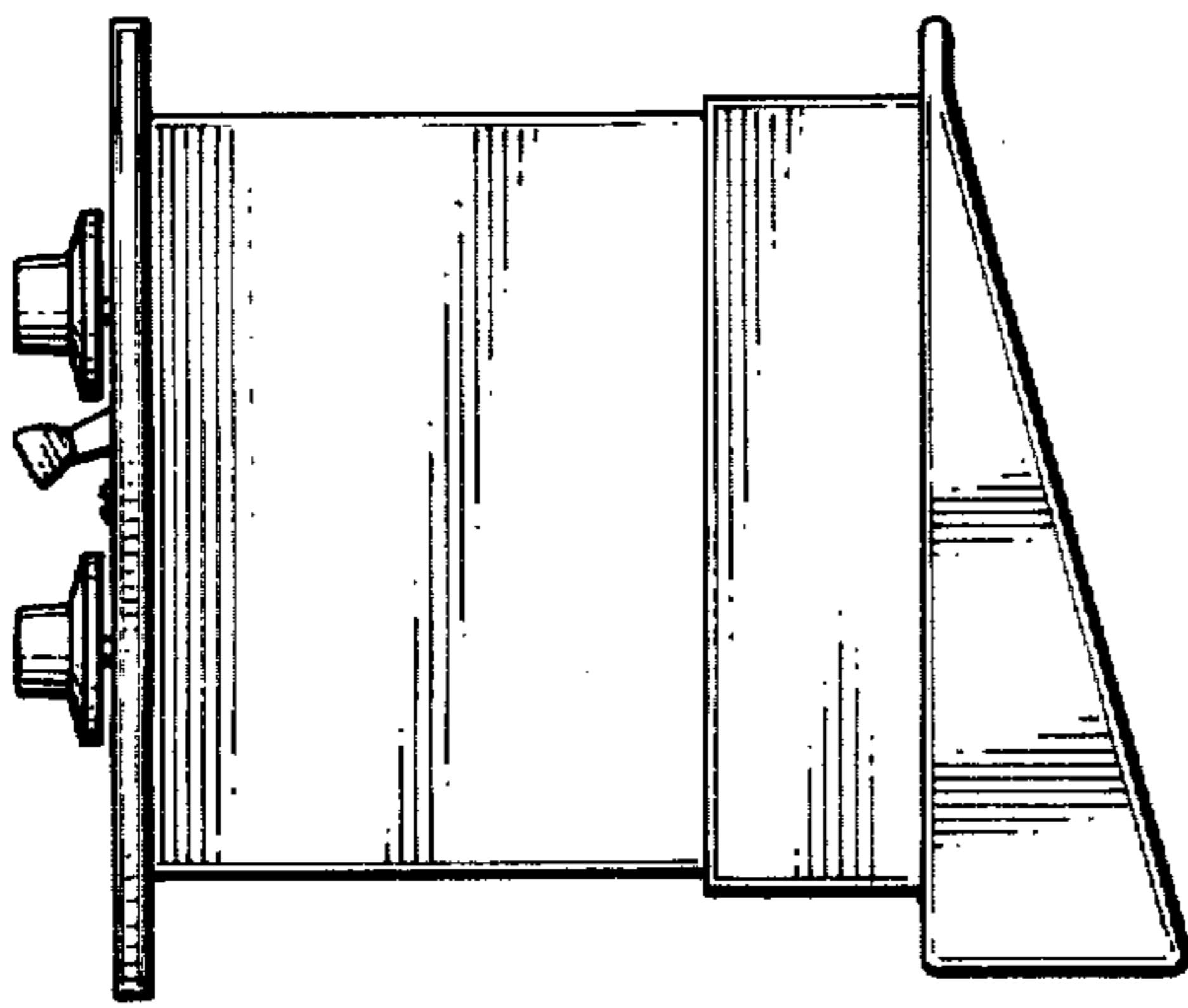


Fig. 3

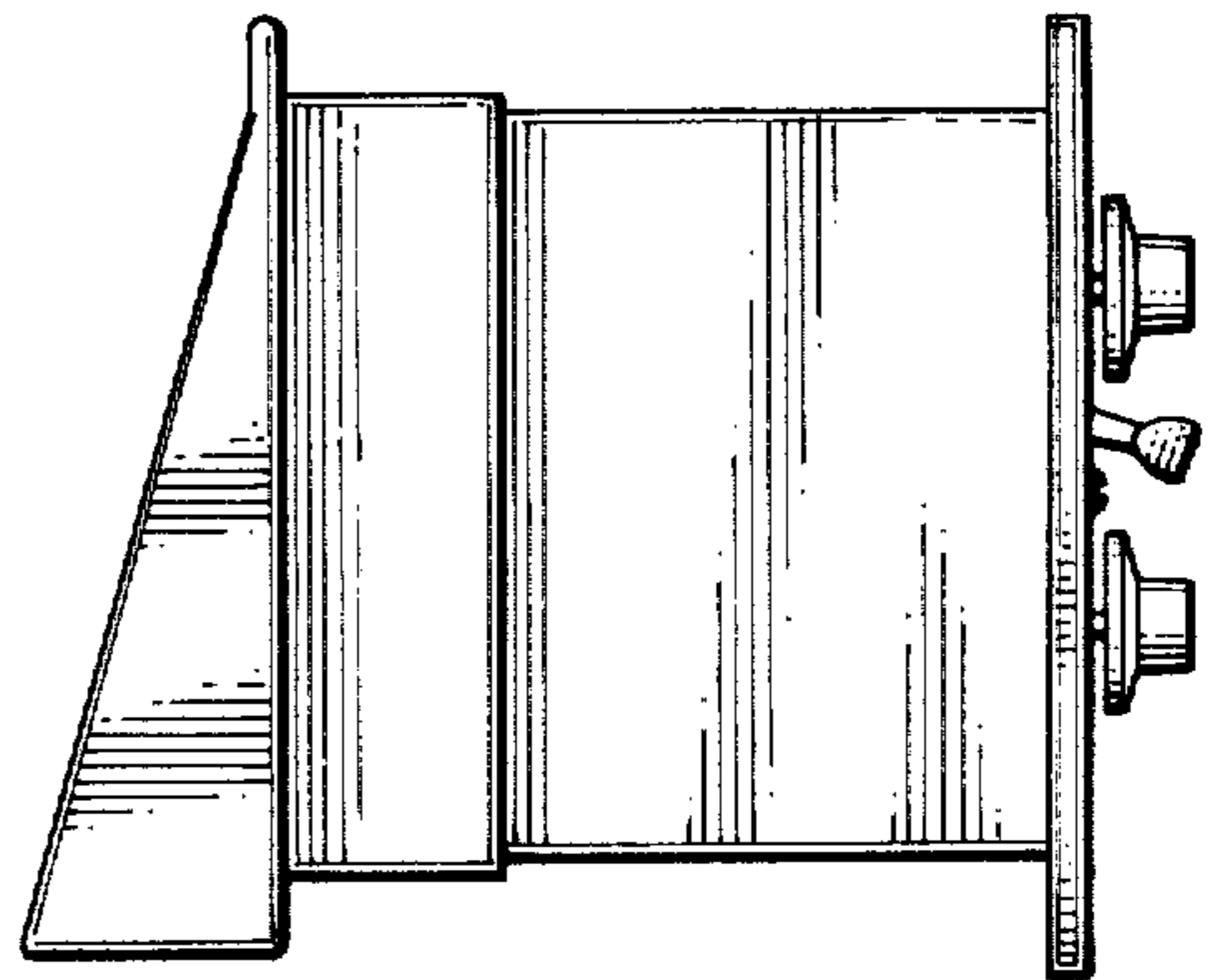


Fig. 4

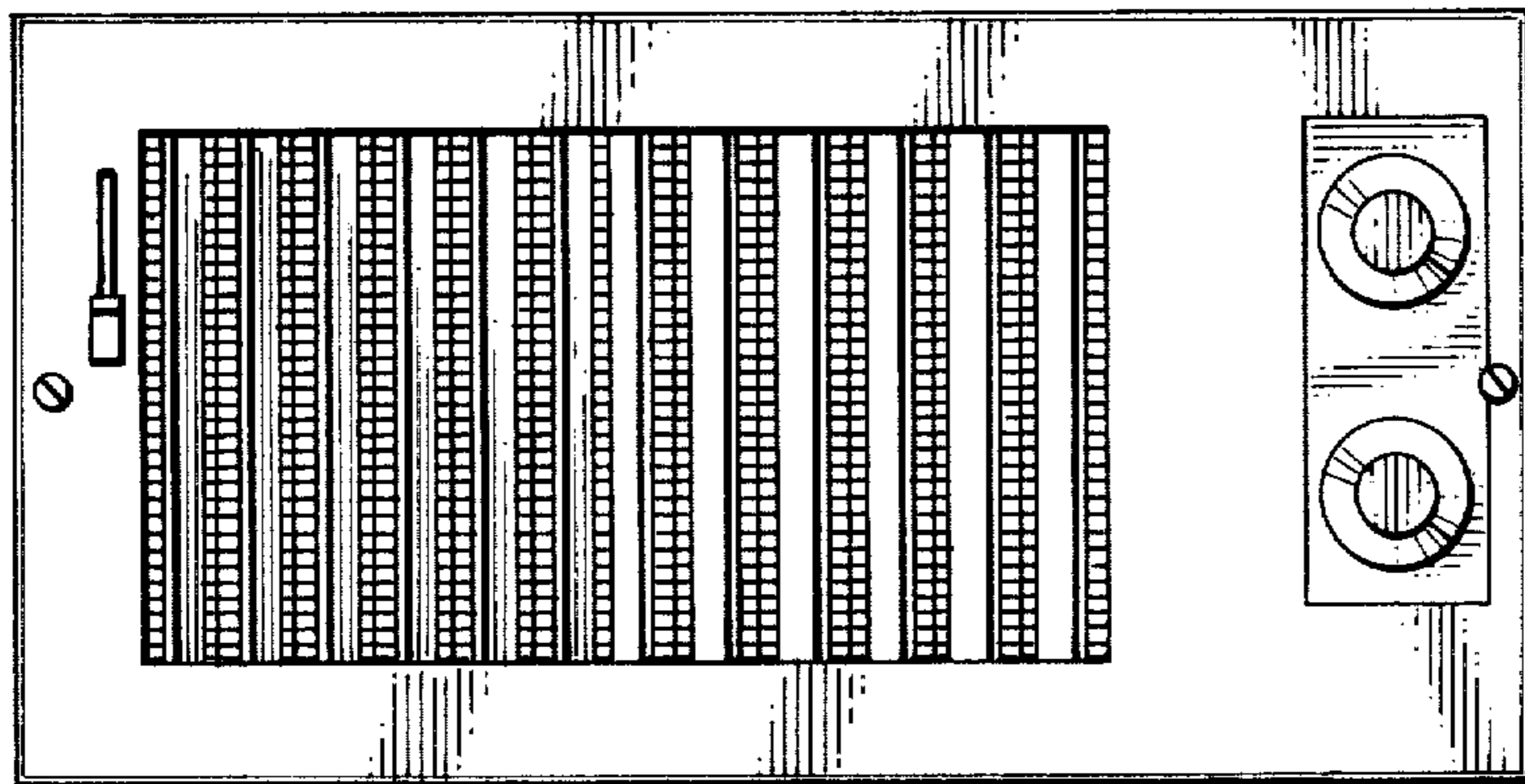


Fig. 5

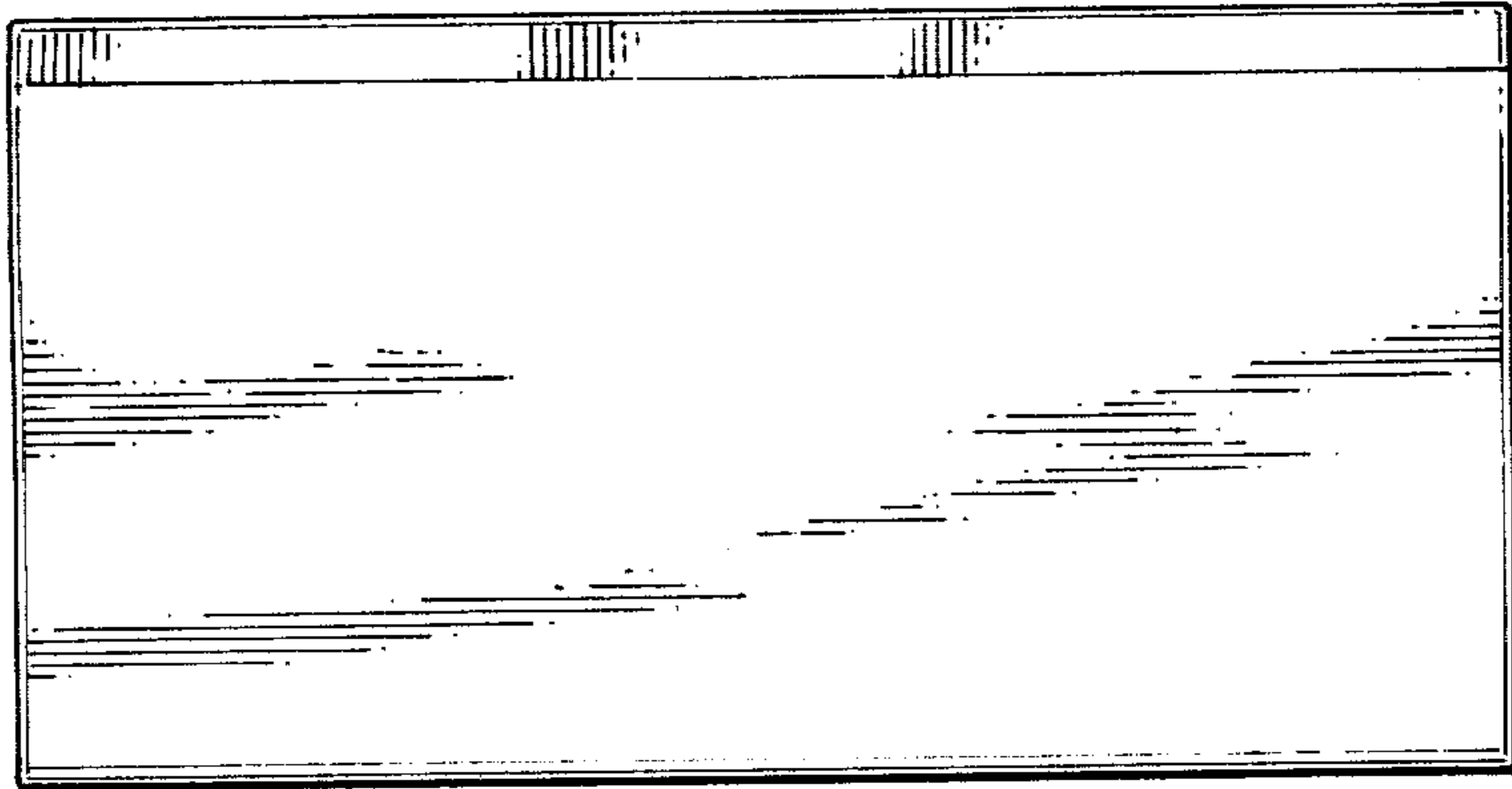


Fig. 6

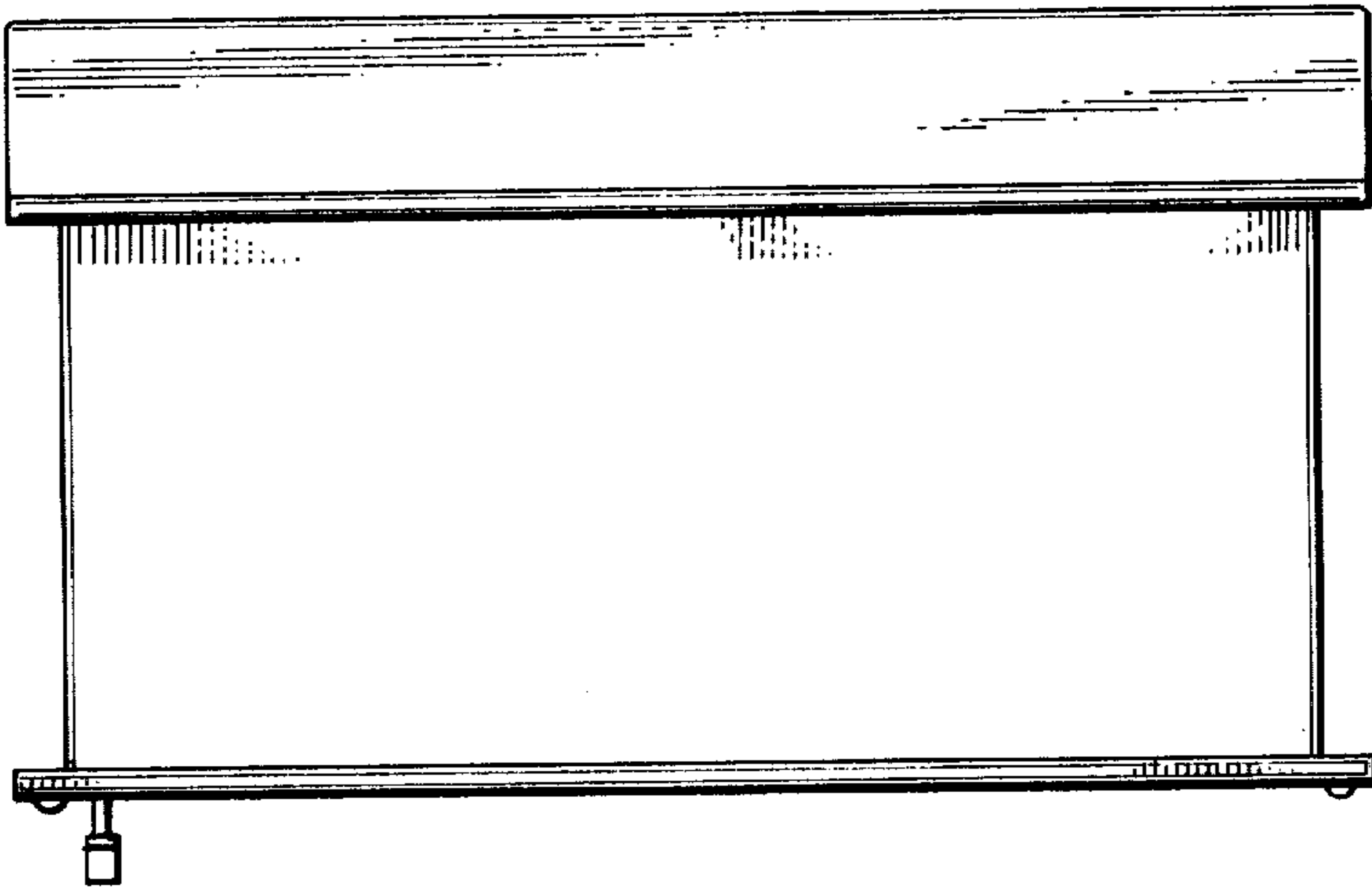


Fig. 7

