

[54] WOOD BURNING WATER HEATER

[76] Inventor: Robert G. Ulmer, 182 Kready Ave., Millersville, Pa. 17551

[\*\*] Term: 14 Years

[21] Appl. No.: 84,969

[22] Filed: Sep. 26, 1979

[51] Int. Cl. .... D23-03

[52] U.S. Cl. .... D23/86

[58] Field of Search ..... D23/72, 86, 93, 94, D23/95, 96, 97; 126/344, 120, 121, 123, 126, 4, 6, 58-66

[56] References Cited

U.S. PATENT DOCUMENTS

D. 245,509 8/1977 Ulmer et al. .... D23/92

D. 247,046 1/1978 Bader ..... D23/93  
1,355,244 10/1920 Murphy ..... 126/58

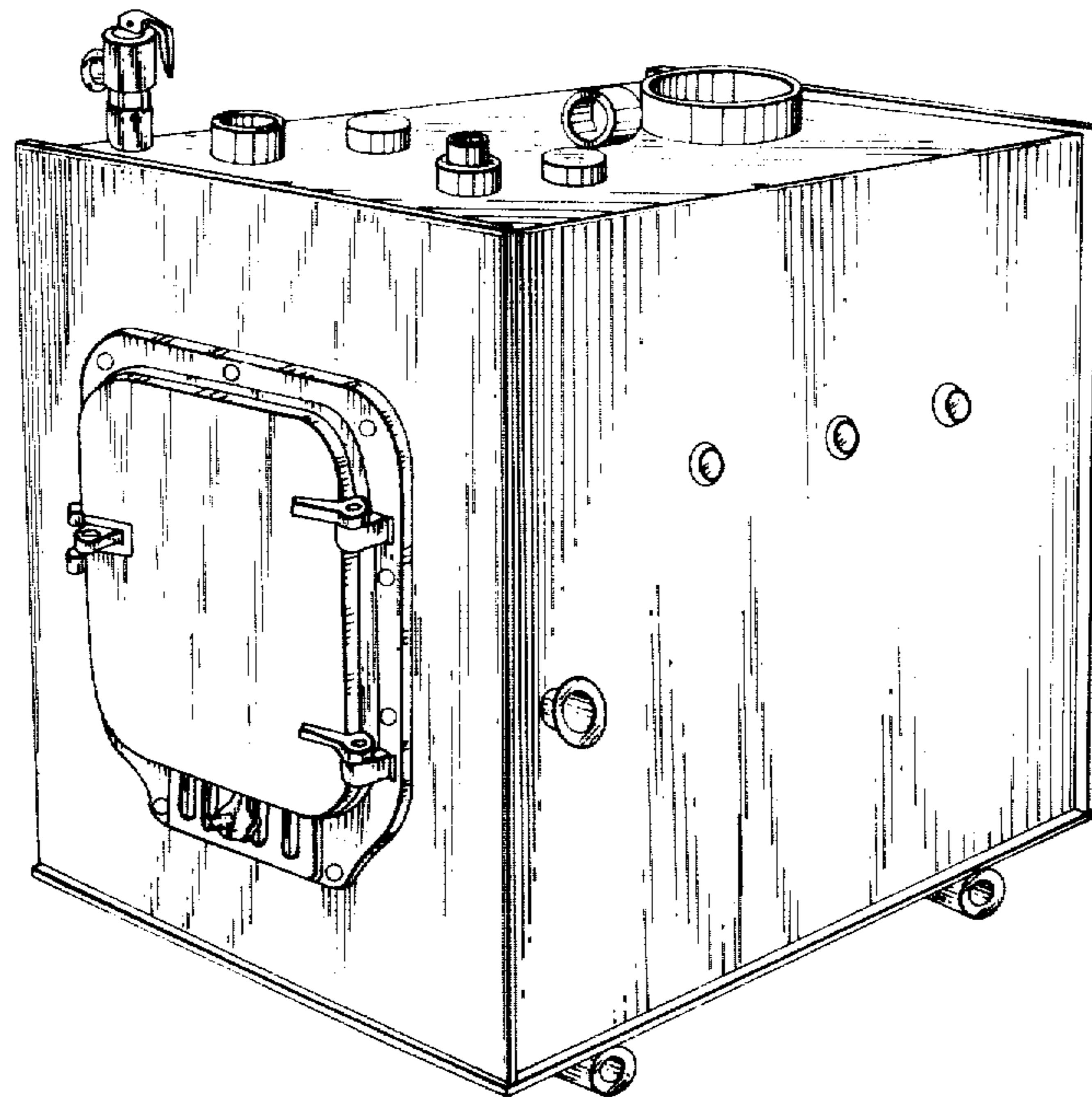
Primary Examiner—Catherine E. Kemper  
Attorney, Agent, or Firm—Martin Fruitman

[57] CLAIM

The ornamental design for a wood burning water heater, as shown.

DESCRIPTION

FIG. 1 is a right side elevational view of a wood burning water heater, showing my new design; FIG. 2 is a bottom plan view thereof; FIG. 3 is a front elevational view thereof; FIG. 4 is a rear elevational view thereof; FIG. 5 is a top plan view thereof; FIG. 6 is a left side elevational view thereof; FIG. 7 is a perspective view thereof.



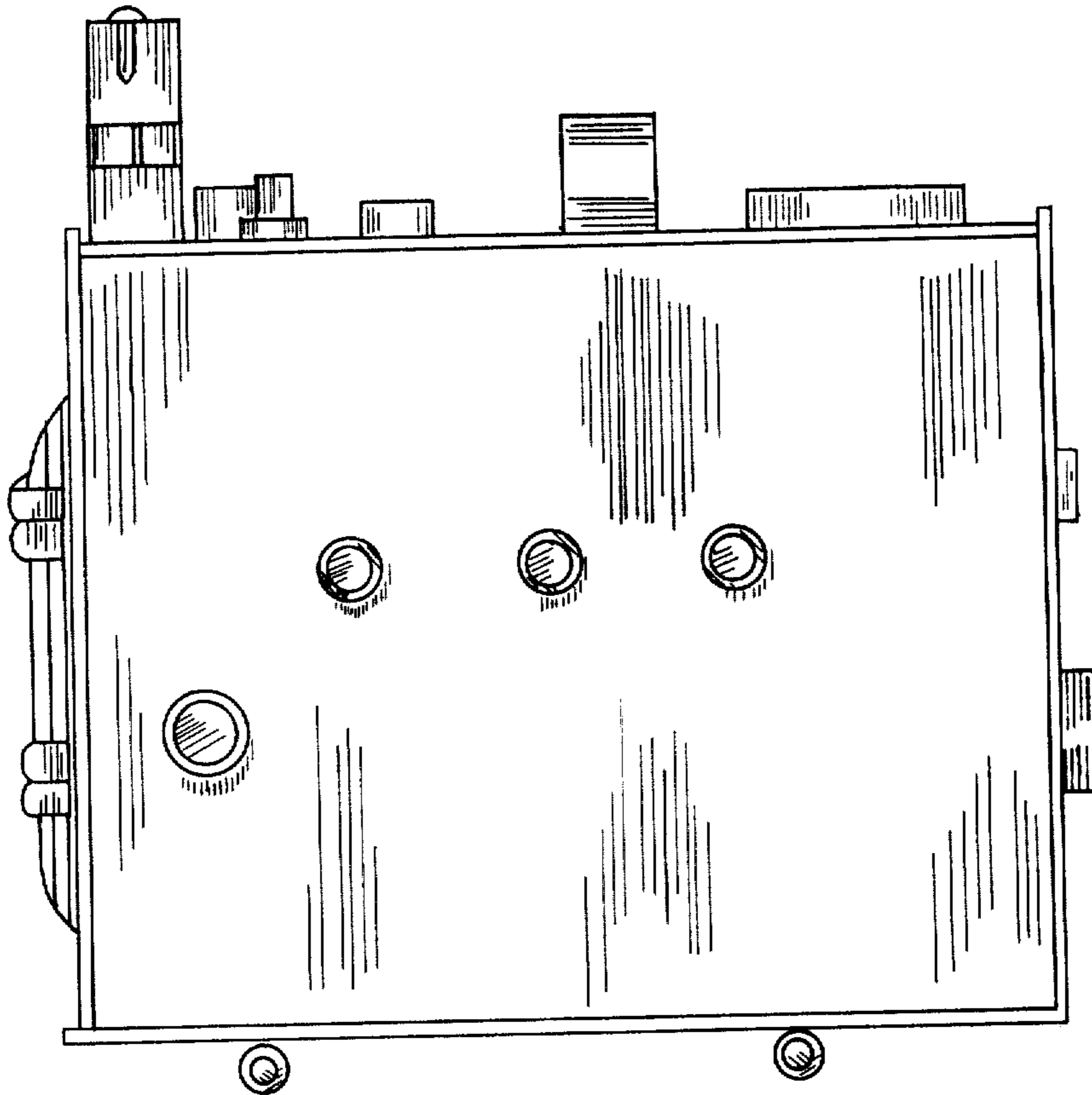


FIG. 1

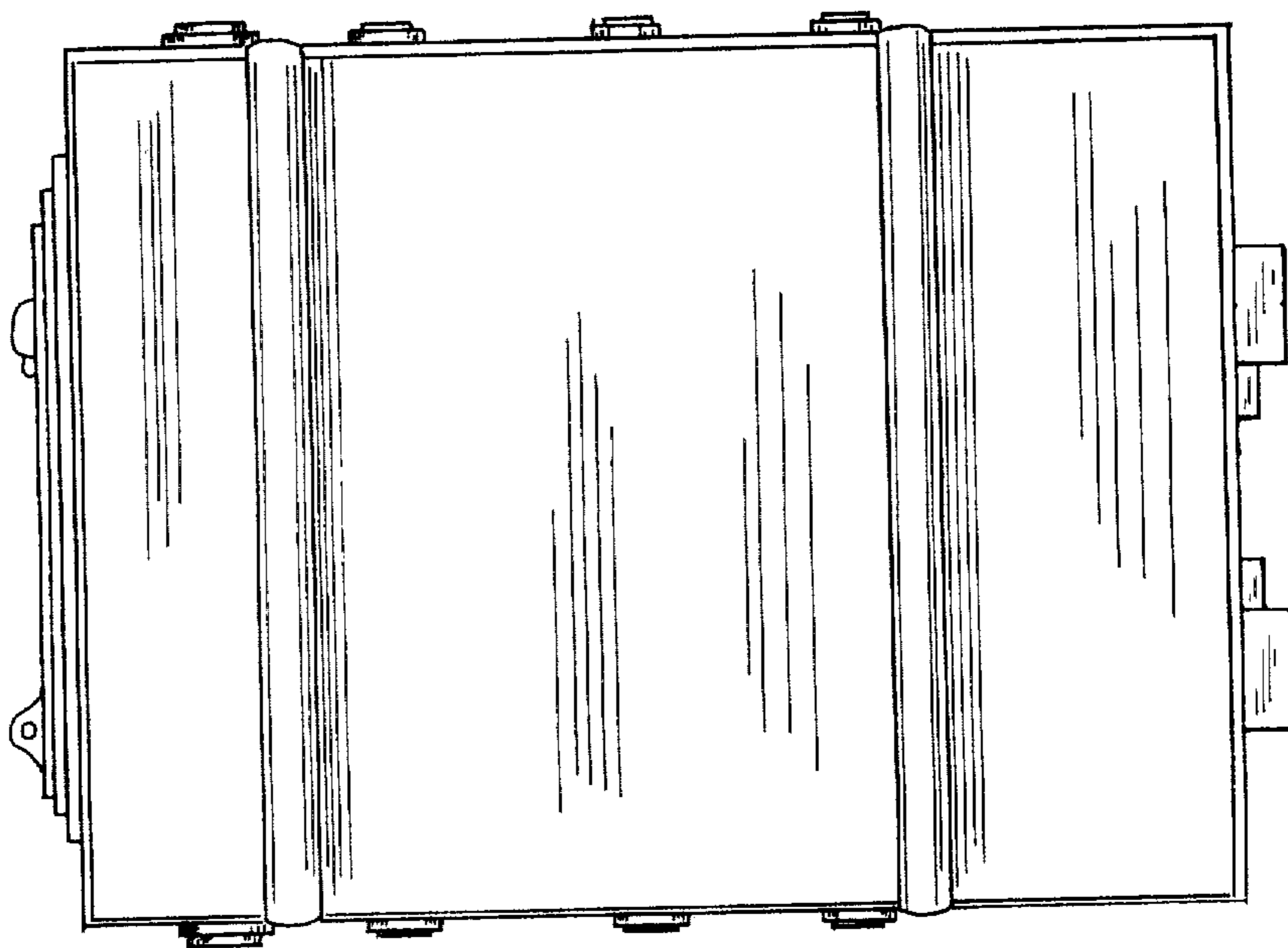


FIG. 2

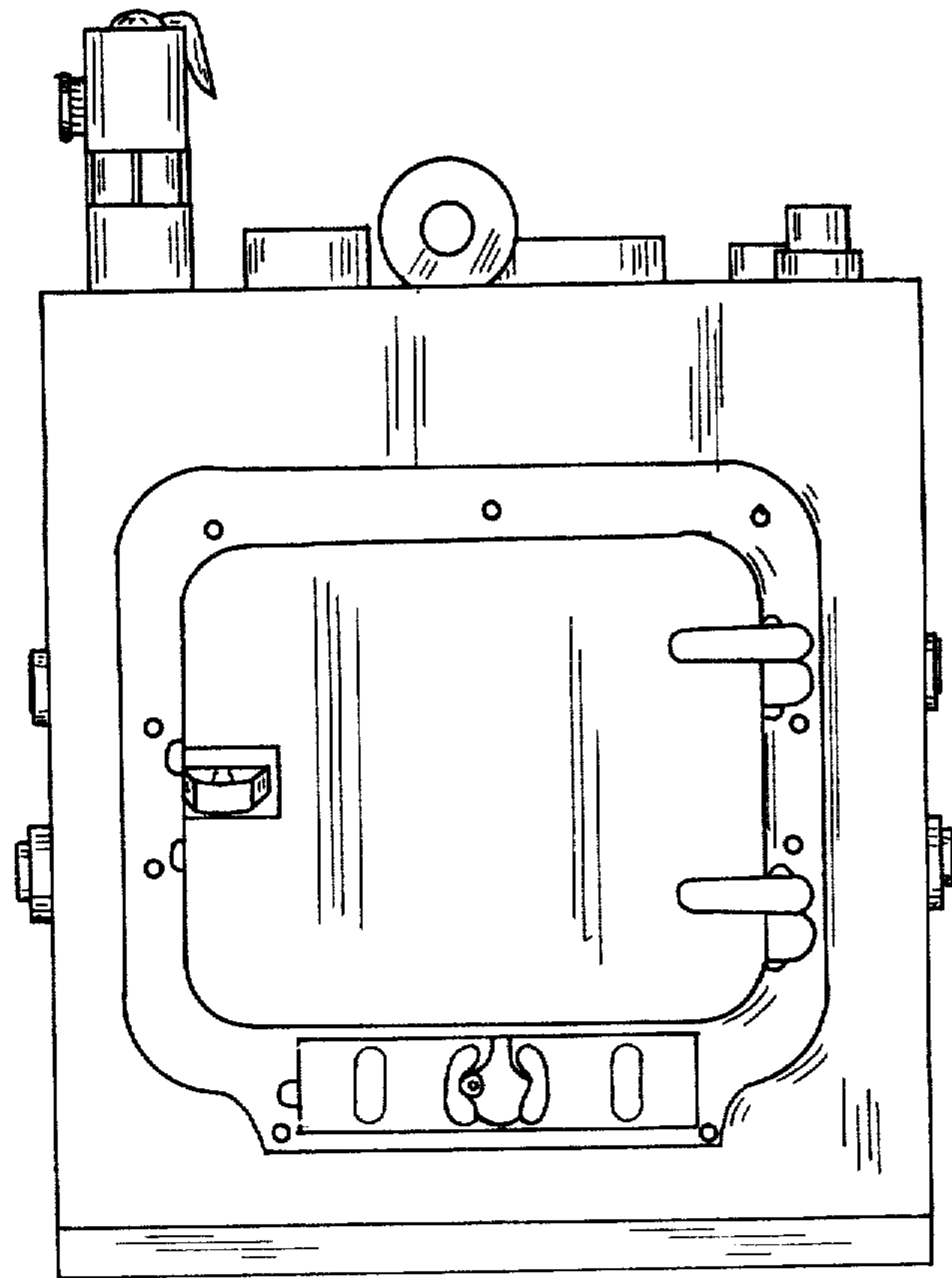


FIG. 3

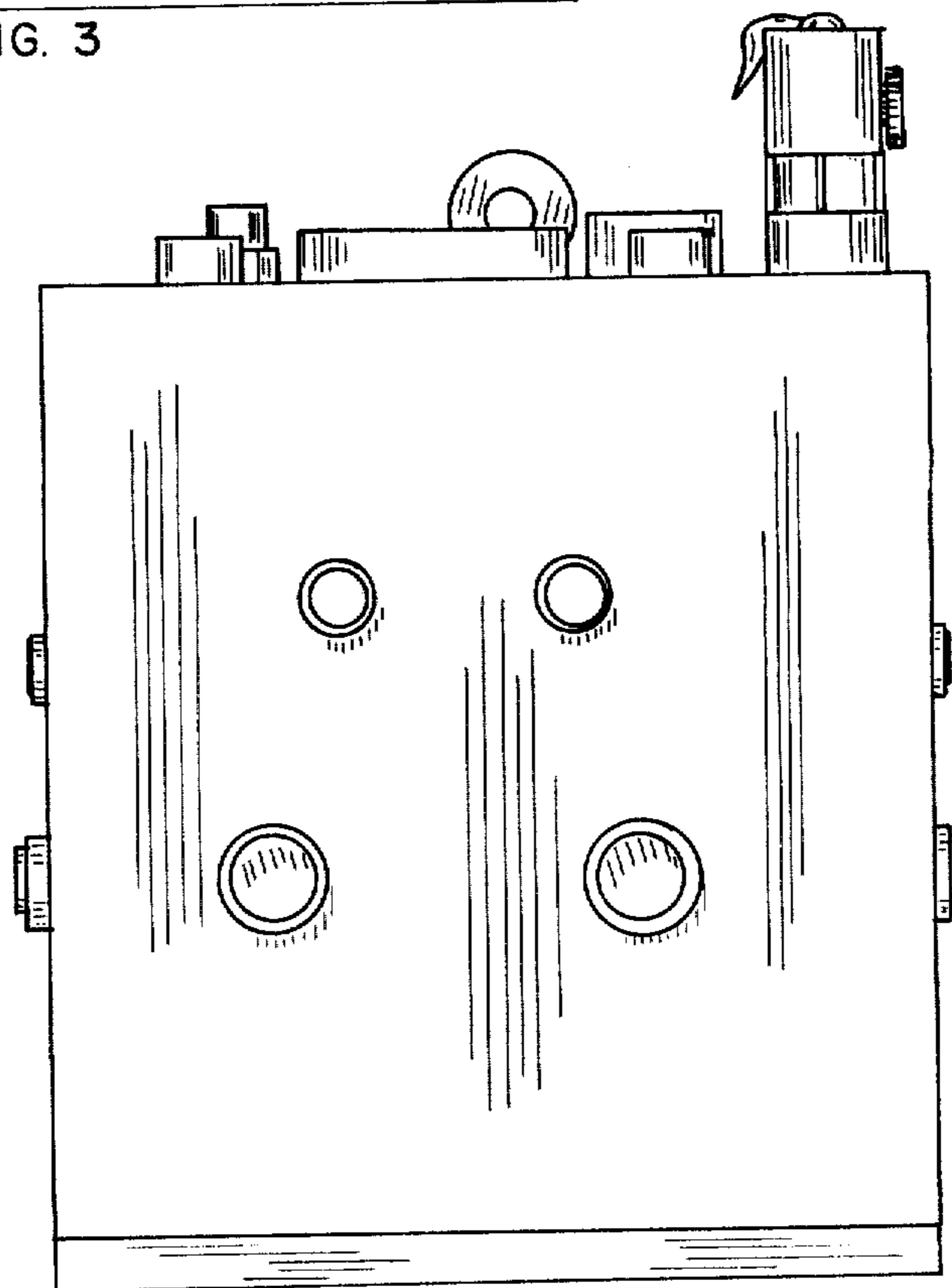


FIG. 4

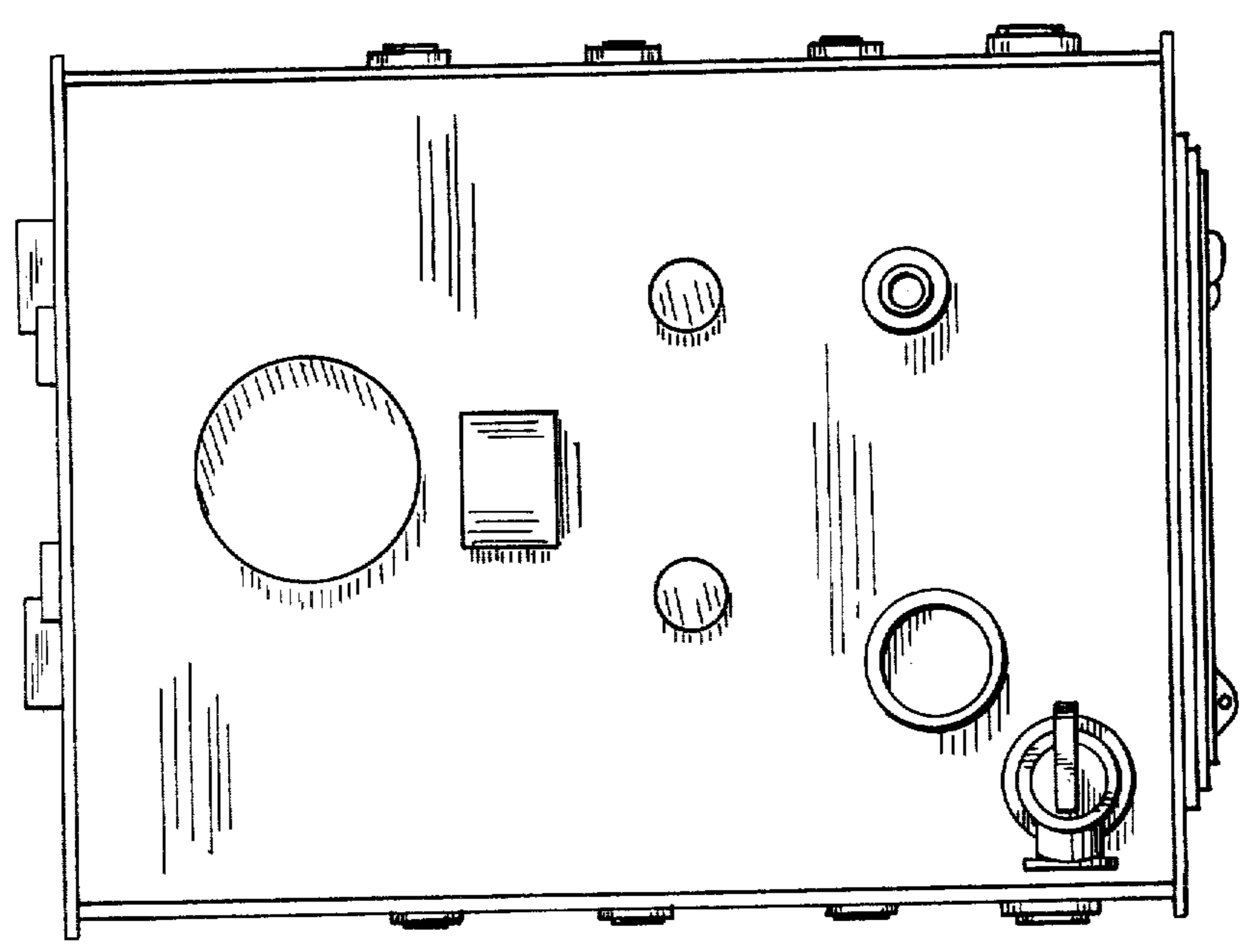


FIG. 5

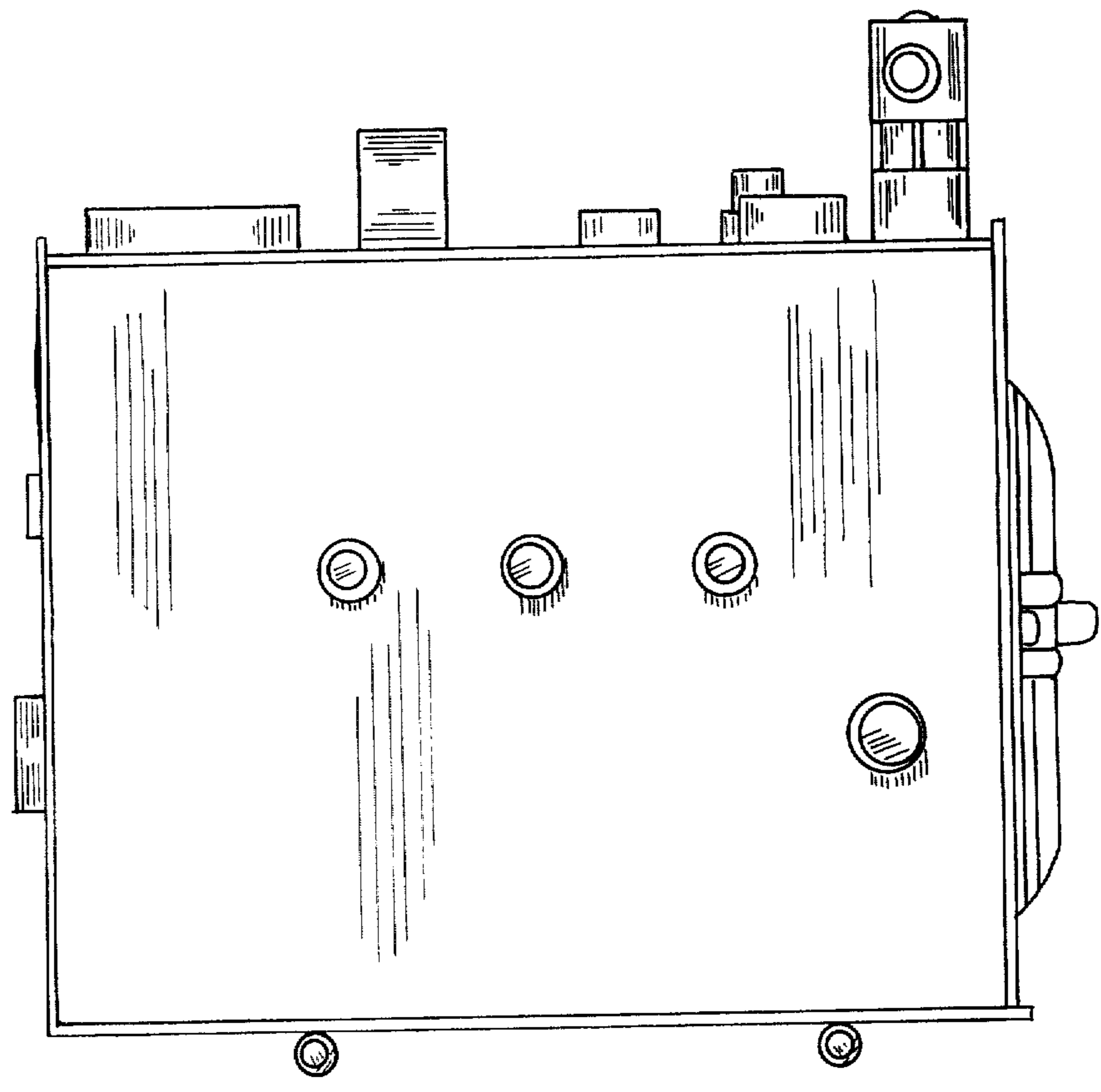


FIG. 6

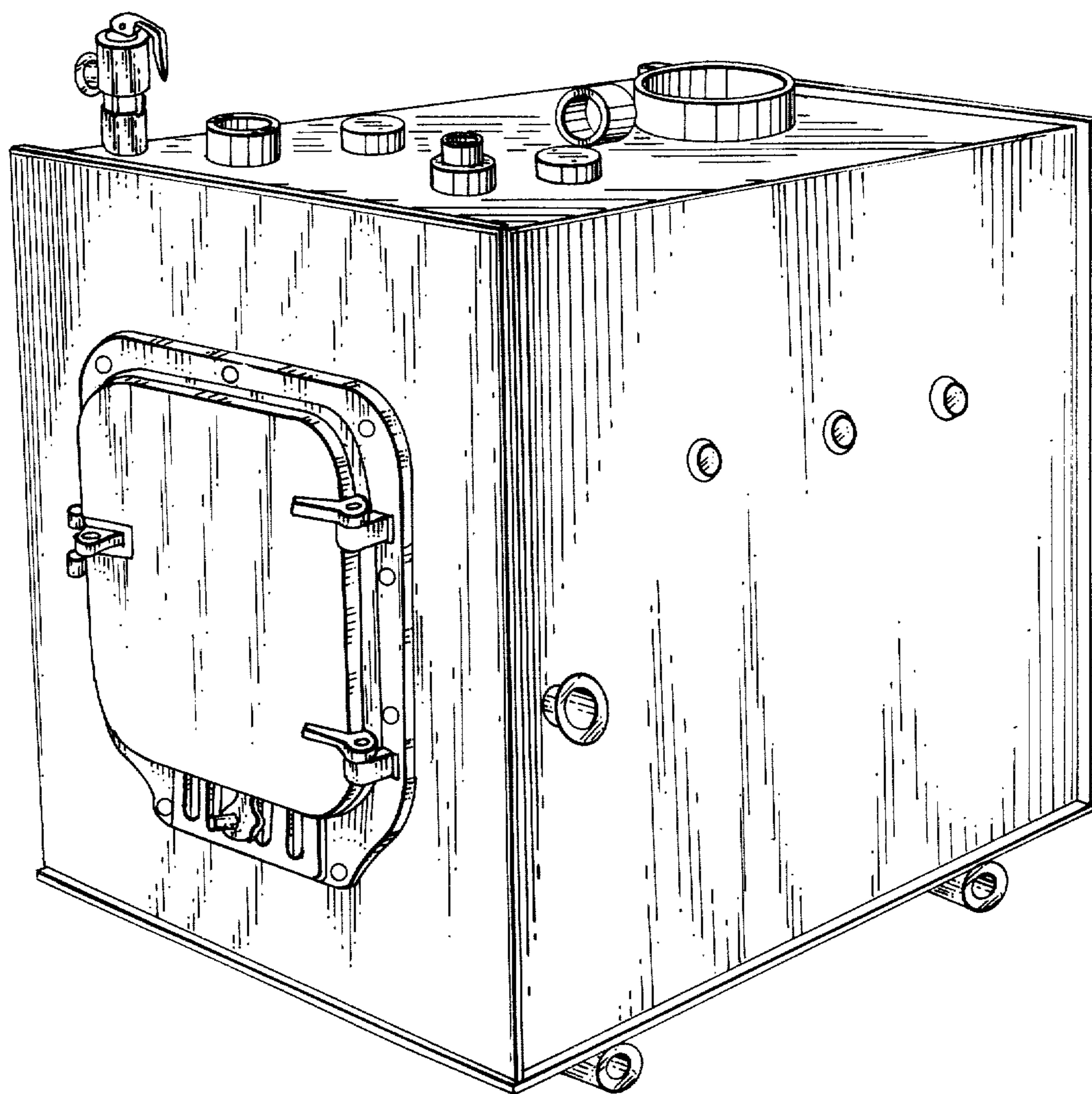


FIG. 7