

[54] TOE UNIT OF A SKI SAFETY BINDING

[75] Inventor: Jean J. A. Beyl, Nevers, France

[73] Assignee: Look, Nevers, France

[**] Term: 14 Years

[21] Appl. No.: 117,447

[22] Filed: Feb. 1, 1980

[30] Foreign Application Priority Data

Aug. 7, 1979 [FR] France 124

[51] Int. Cl. D21-02

[52] U.S. Cl. D21/230

[58] Field of Search D21/229, 230; 280/614, 280/615, 623-630

[56] References Cited

U.S. PATENT DOCUMENTS

- D. 236,143 7/1975 Iizuka D21/230
- D. 238,795 2/1976 Hashioka D21/230
- 3,743,309 7/1973 Sasaki et al. 280/630
- 3,907,319 9/1975 Berlied D21/230 X

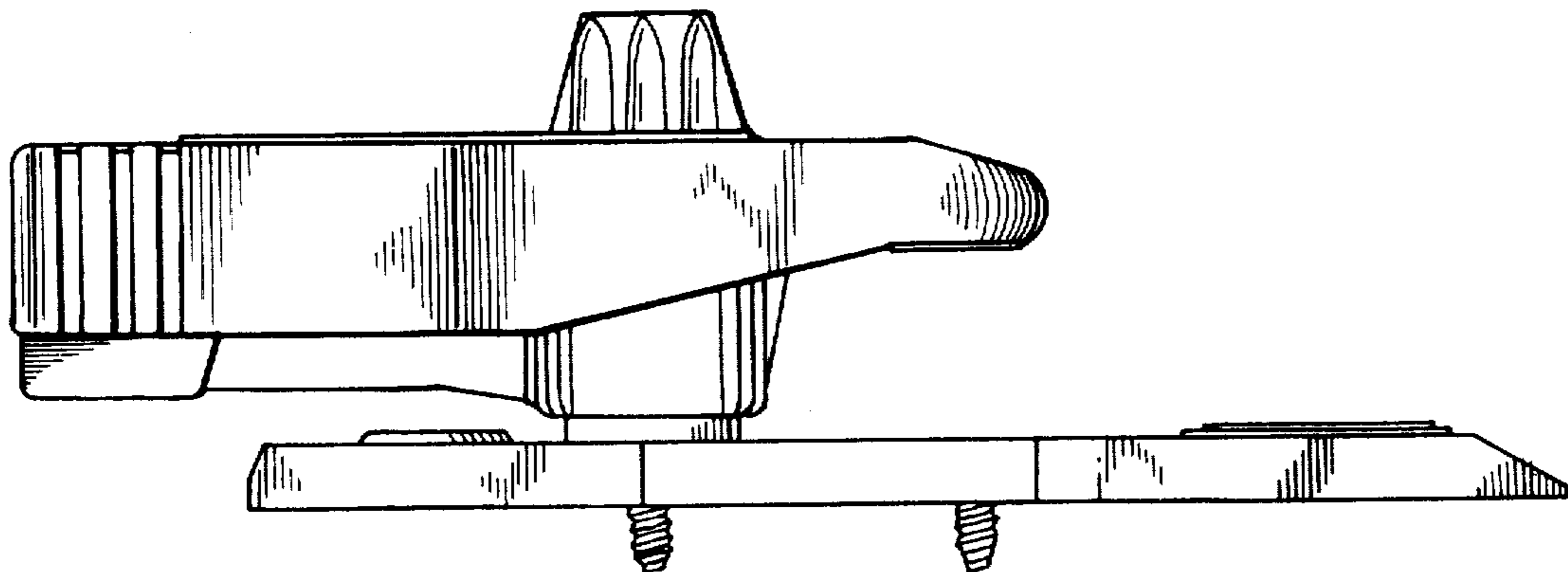
Primary Examiner—Leland A. Sebastian
Attorney, Agent, or Firm—Bierman & Bierman

[57] CLAIM

The ornamental design for a toe unit of a ski safety binding, as shown.

DESCRIPTION

FIG. 1 is a side elevational view of a toe unit of a ski safety binding showing my new design; FIG. 2 is a rear elevational view thereof; FIG. 3 is a front elevational view thereof; FIG. 4 is a bottom plan view thereof; and FIG. 5 is a top plan view thereof.



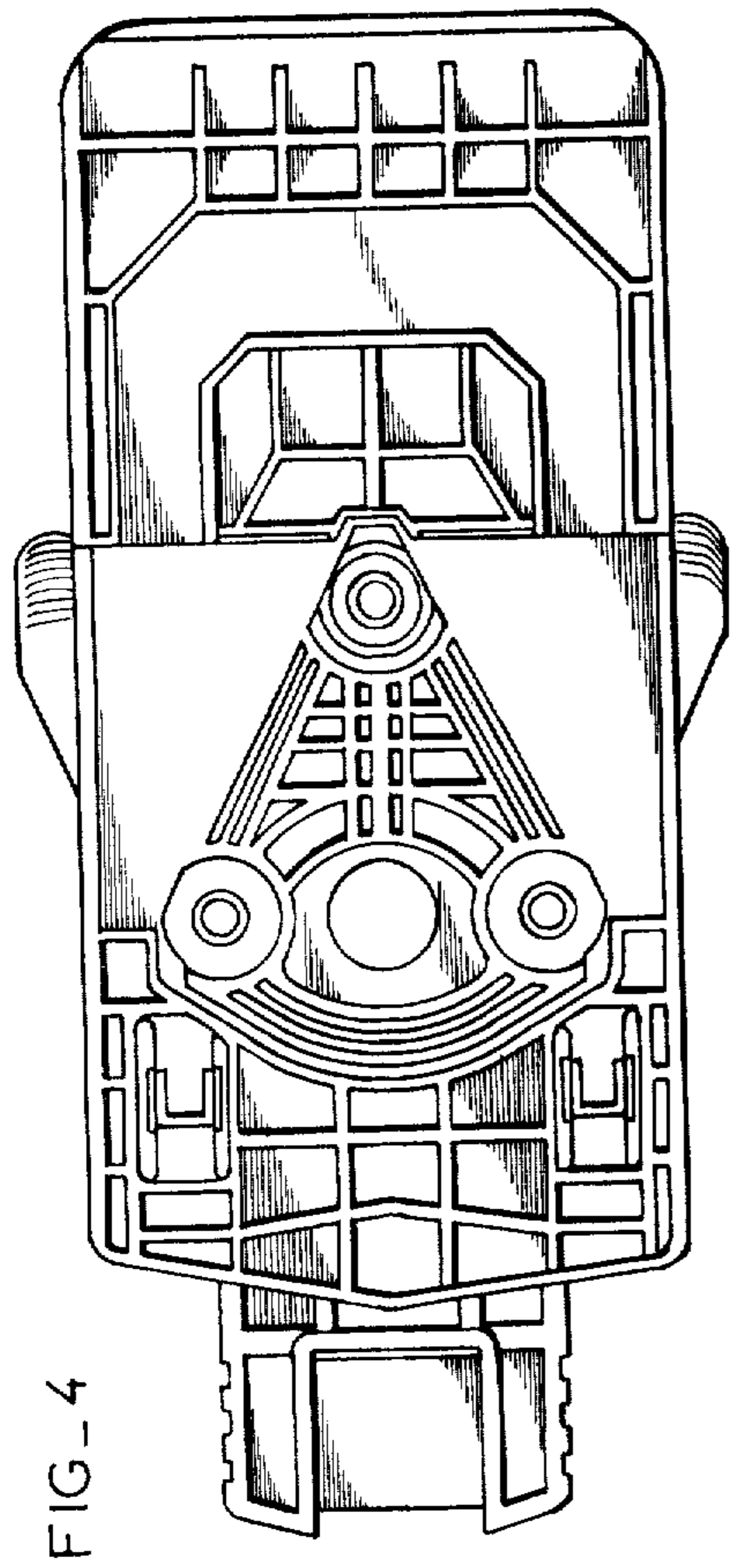


FIG-4

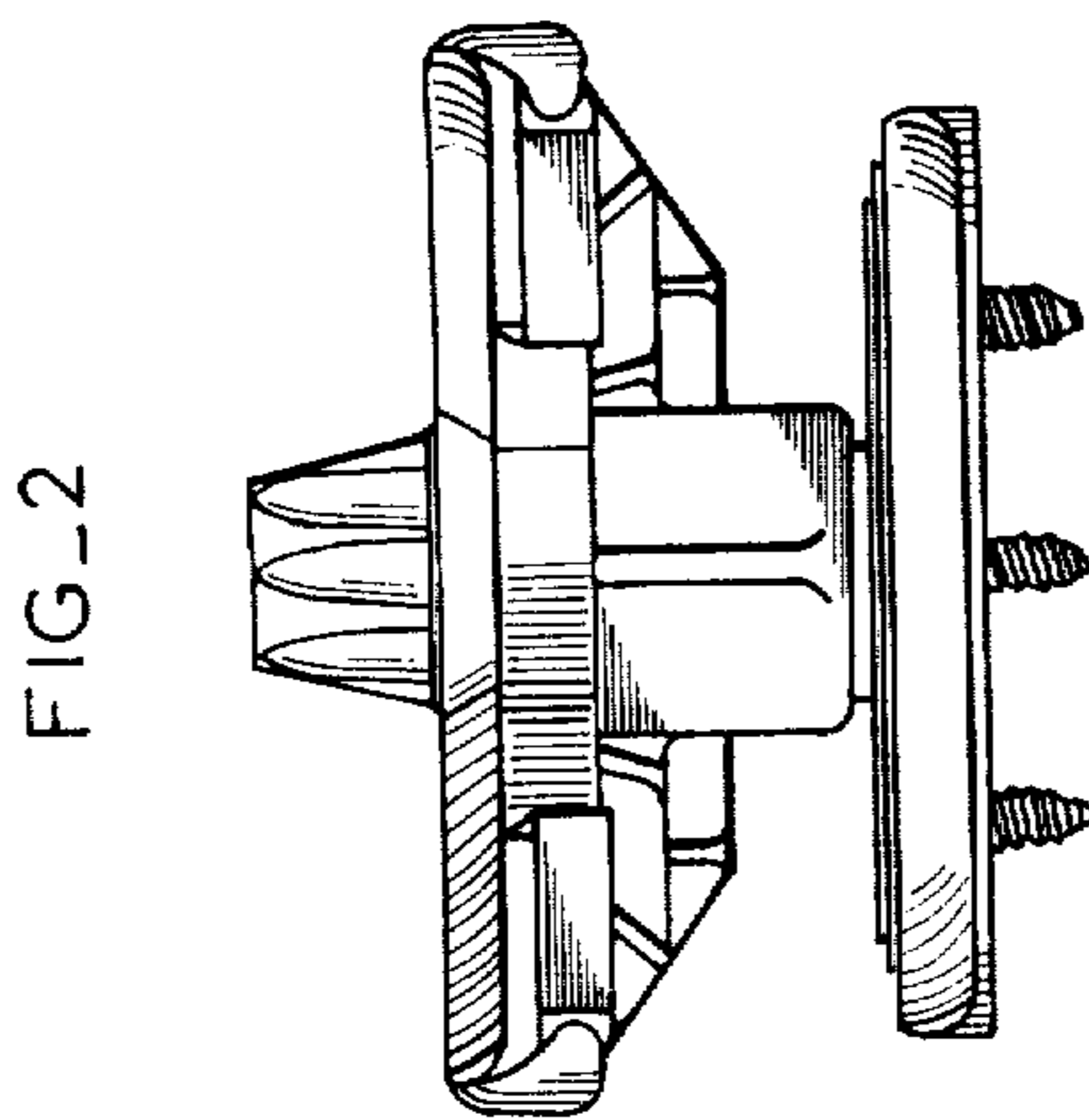


FIG-2

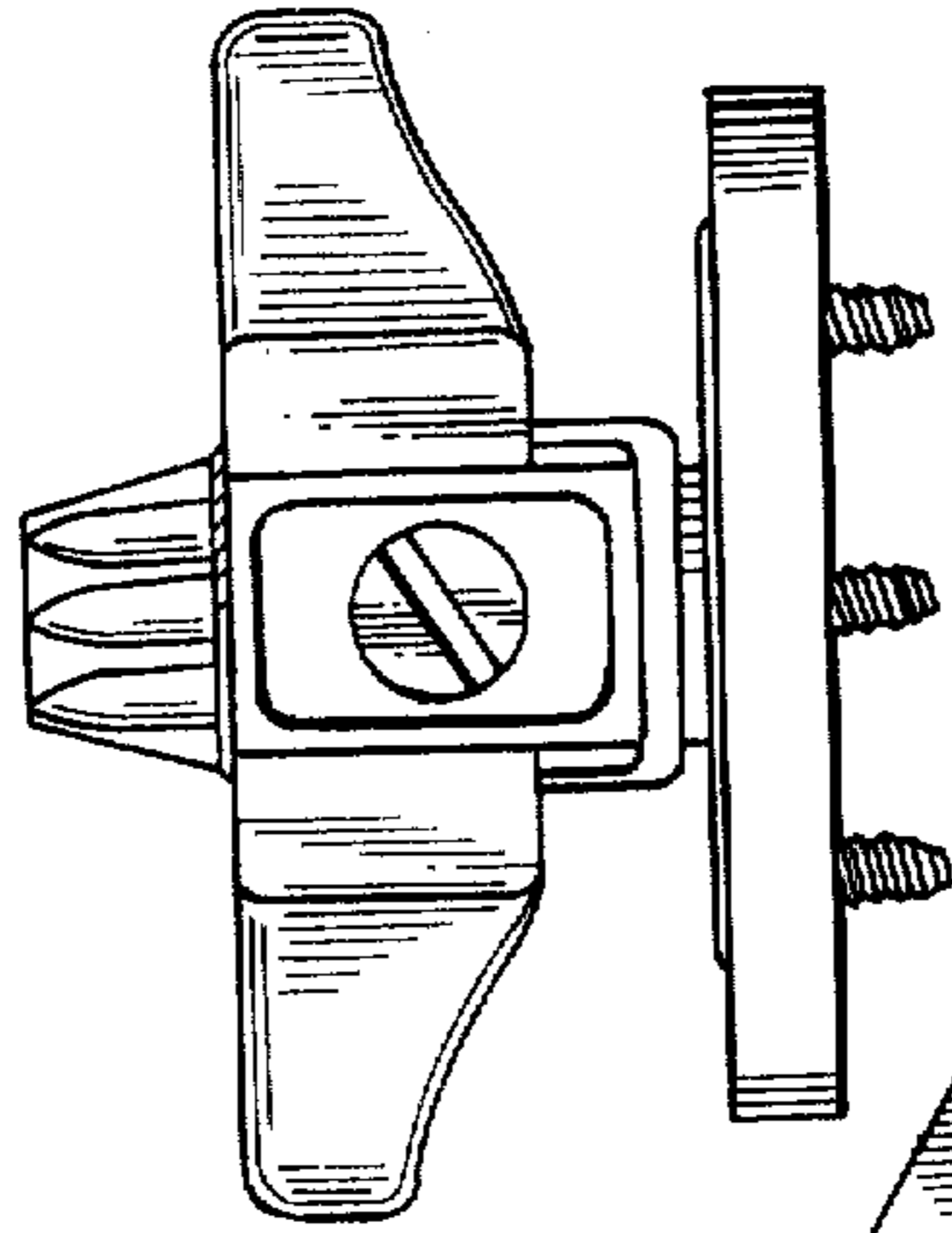


FIG-3

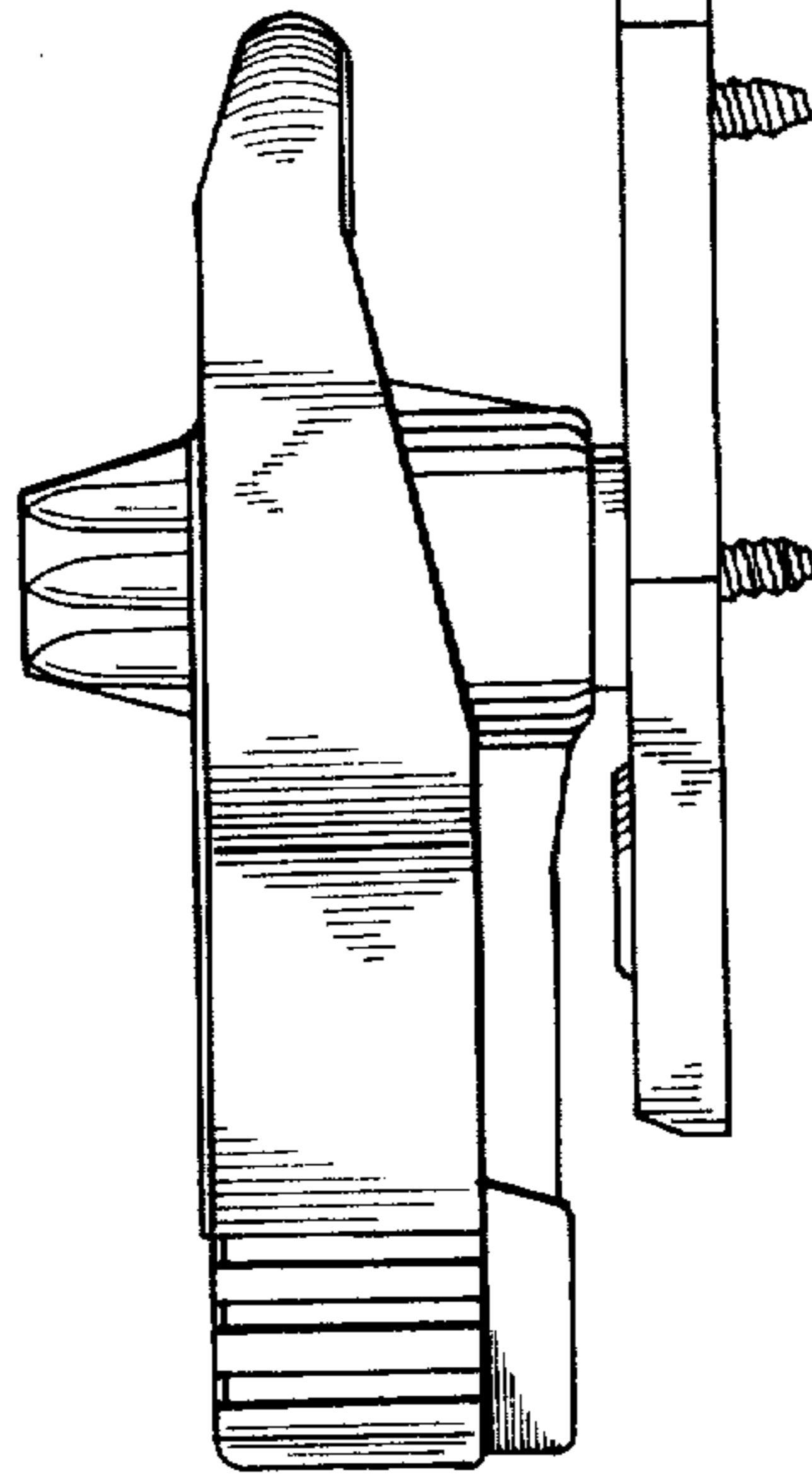


FIG-1

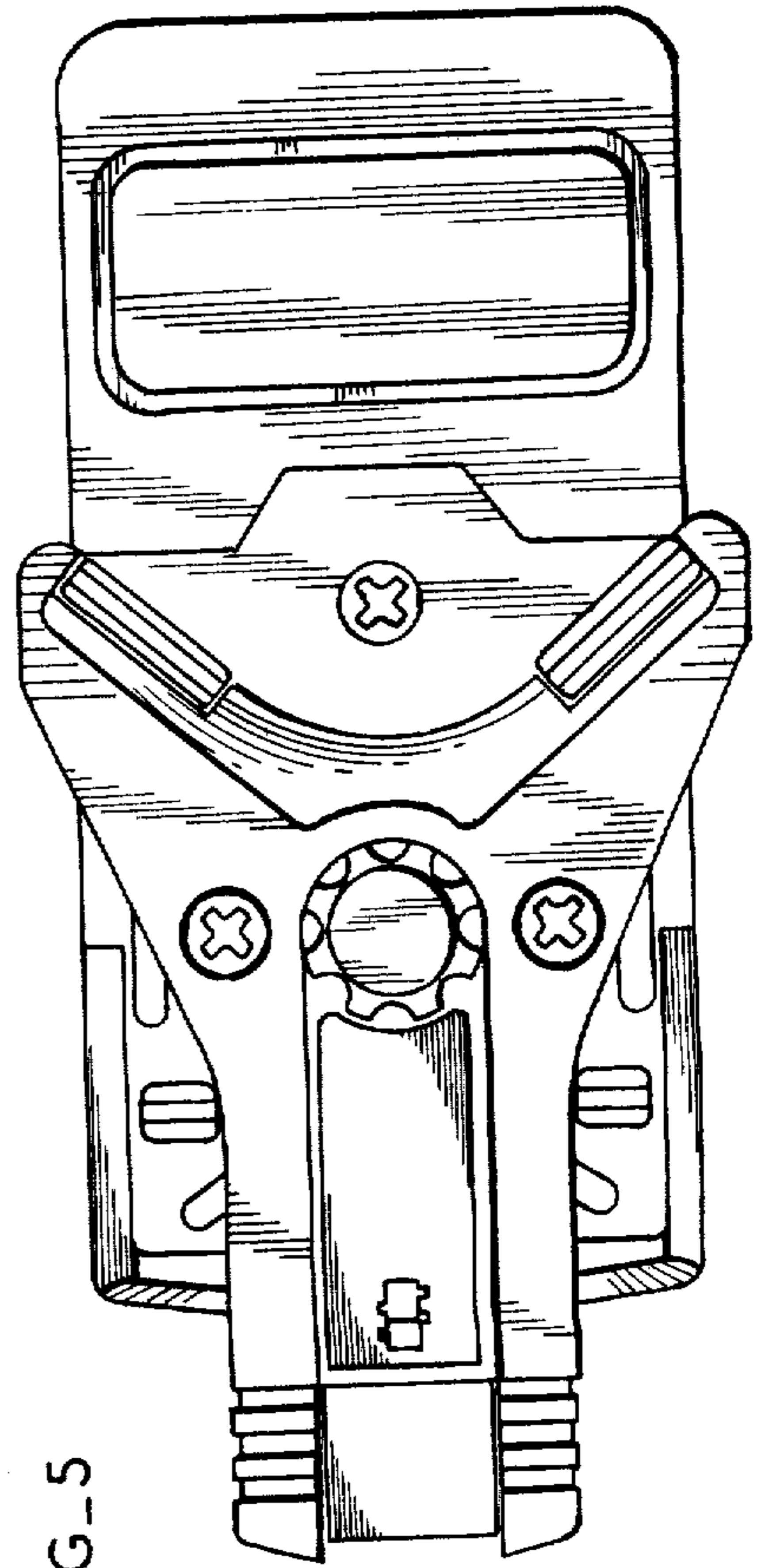


FIG-5