

[54] SCOOTER

[76] Inventors: Ernest D. Carmagnola, 2740 Len Dr., Bellmore, N.Y. 11710; Peter Natale, 400 Oakland Ave., Deer Park, N.Y. 11729

[**] Term: 14 Years

[21] Appl. No.: 69,287

[22] Filed: Oct. 22, 1979

[51] Int. Cl. D21-01

[52] U.S. Cl. D21/80; D21/81

[58] Field of Search D21/71, 81, 80; 280/87.04 R, 87.04 A, 87.04 B

[56]

References Cited

U.S. PATENT DOCUMENTS

D. 174,349	3/1955	Pochard	D21/71
1,706,048	3/1929	Van de Mark	280/87.04 R
2,134,318	10/1938	Ruzich	280/87.04 R
3,314,494	4/1967	Weitzner	280/87.04 R

Primary Examiner—Charles A. Rademaker

[57]

CLAIM

The ornamental design for a scooter, as shown.

DESCRIPTION

FIG. 1 is a perspective view of a scooter embodying our new design;

FIG. 2 is left side elevational view thereof;

FIG. 3 is a front elevational view thereof;

FIG. 4 is a top plan view thereof;

FIG. 5 is a right side elevational view thereof;

FIG. 6 is a rear elevational view thereof; and

FIG. 7 is a bottom plan view thereof.

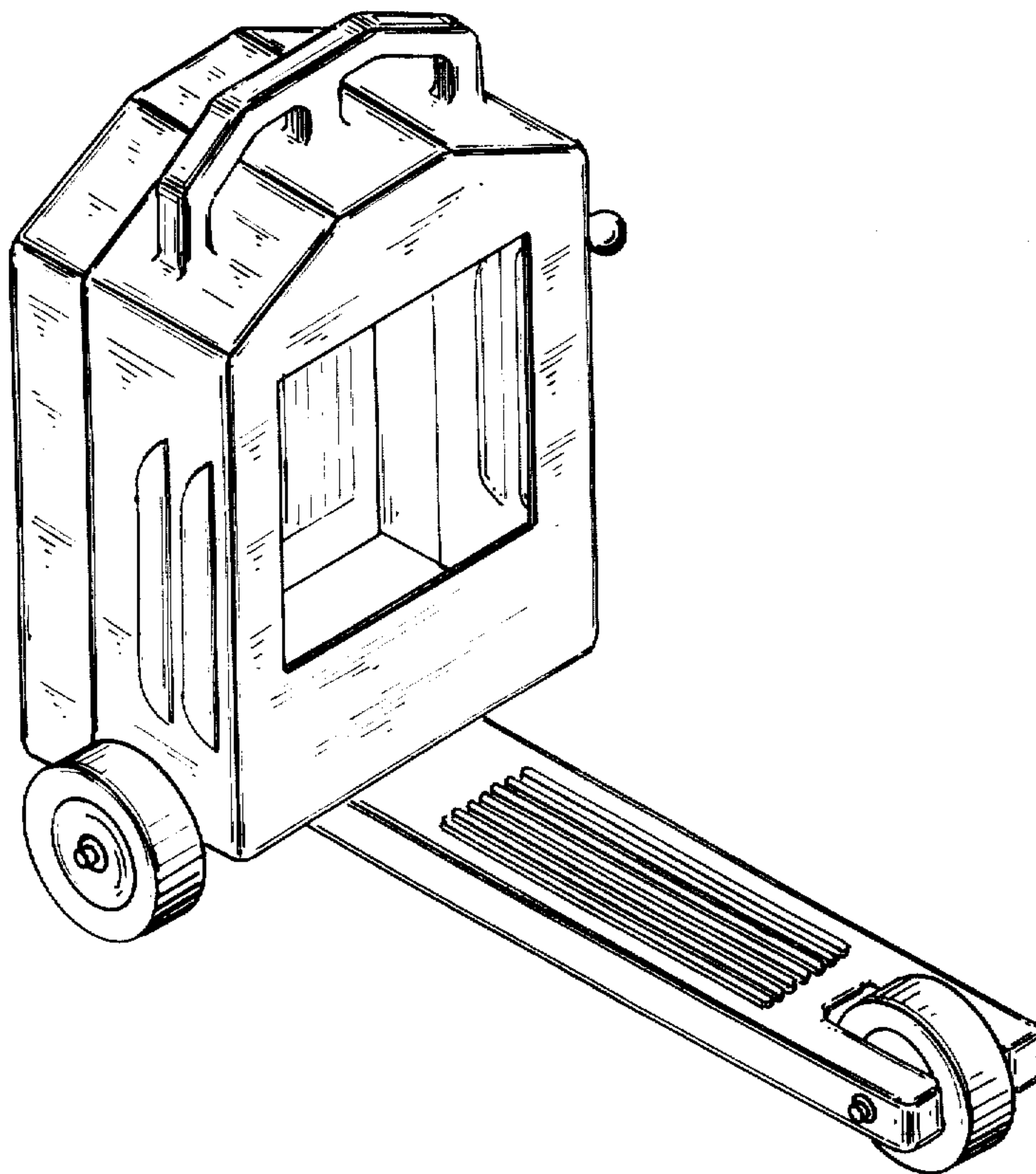


FIG. 1

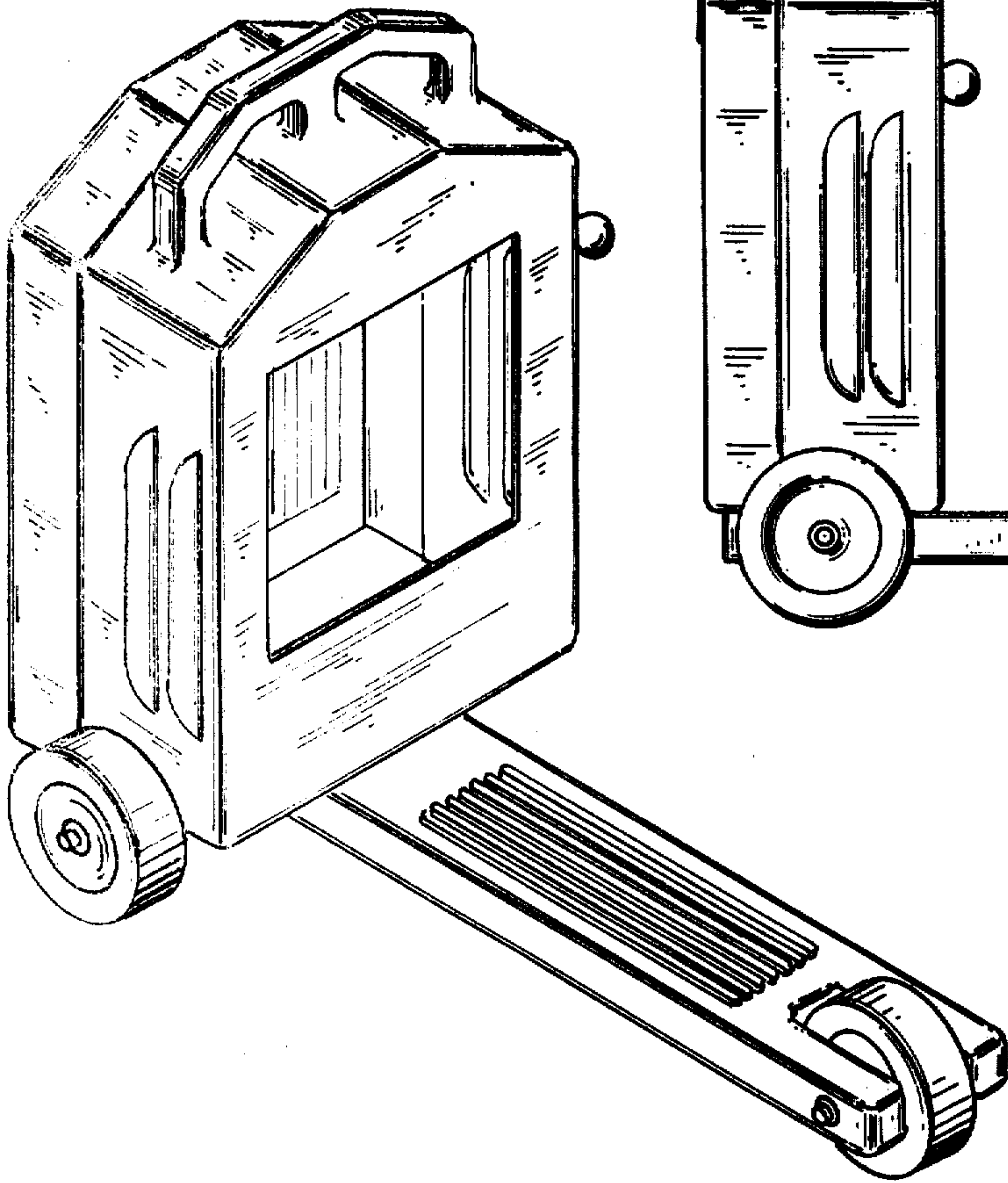


FIG. 2

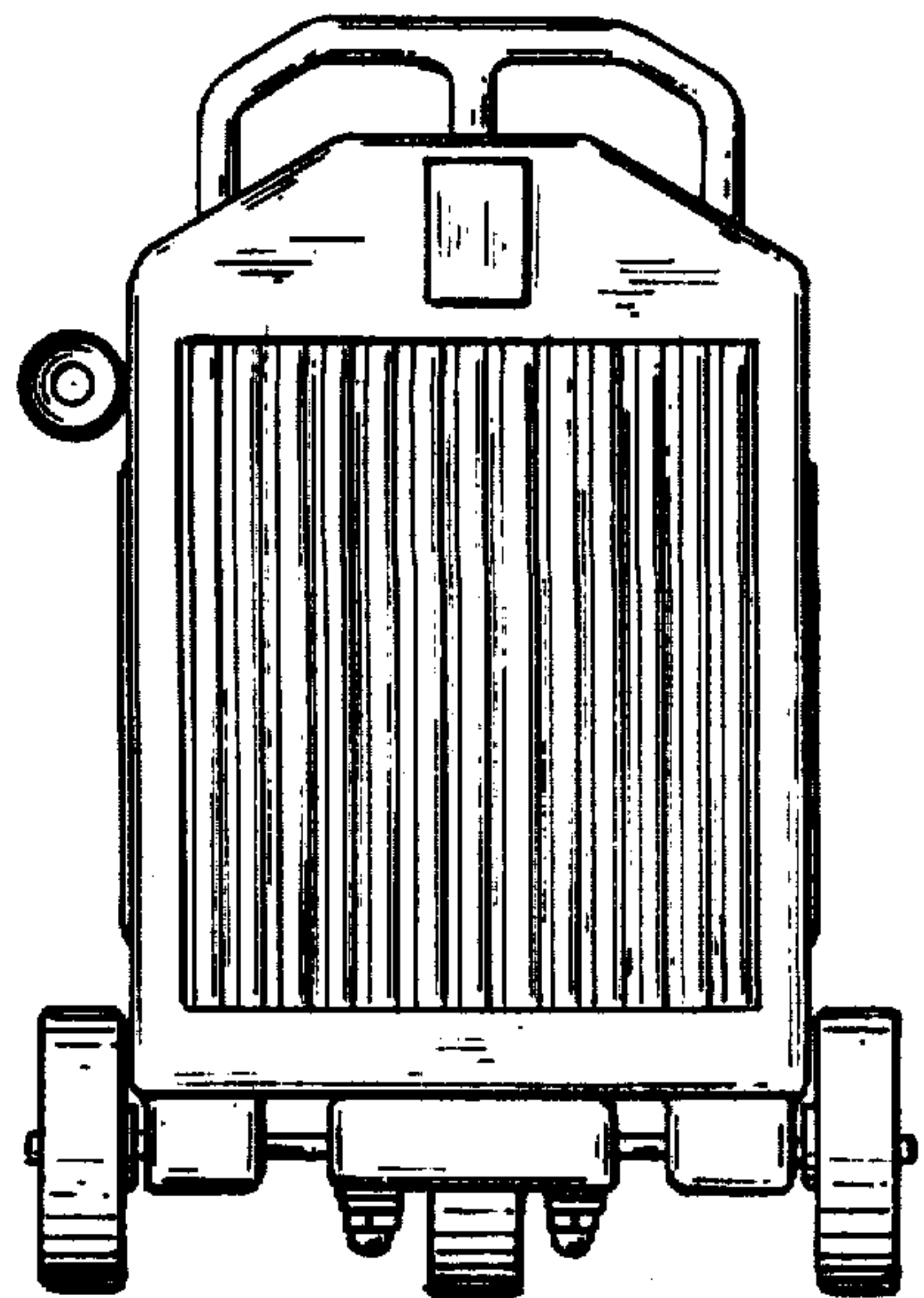
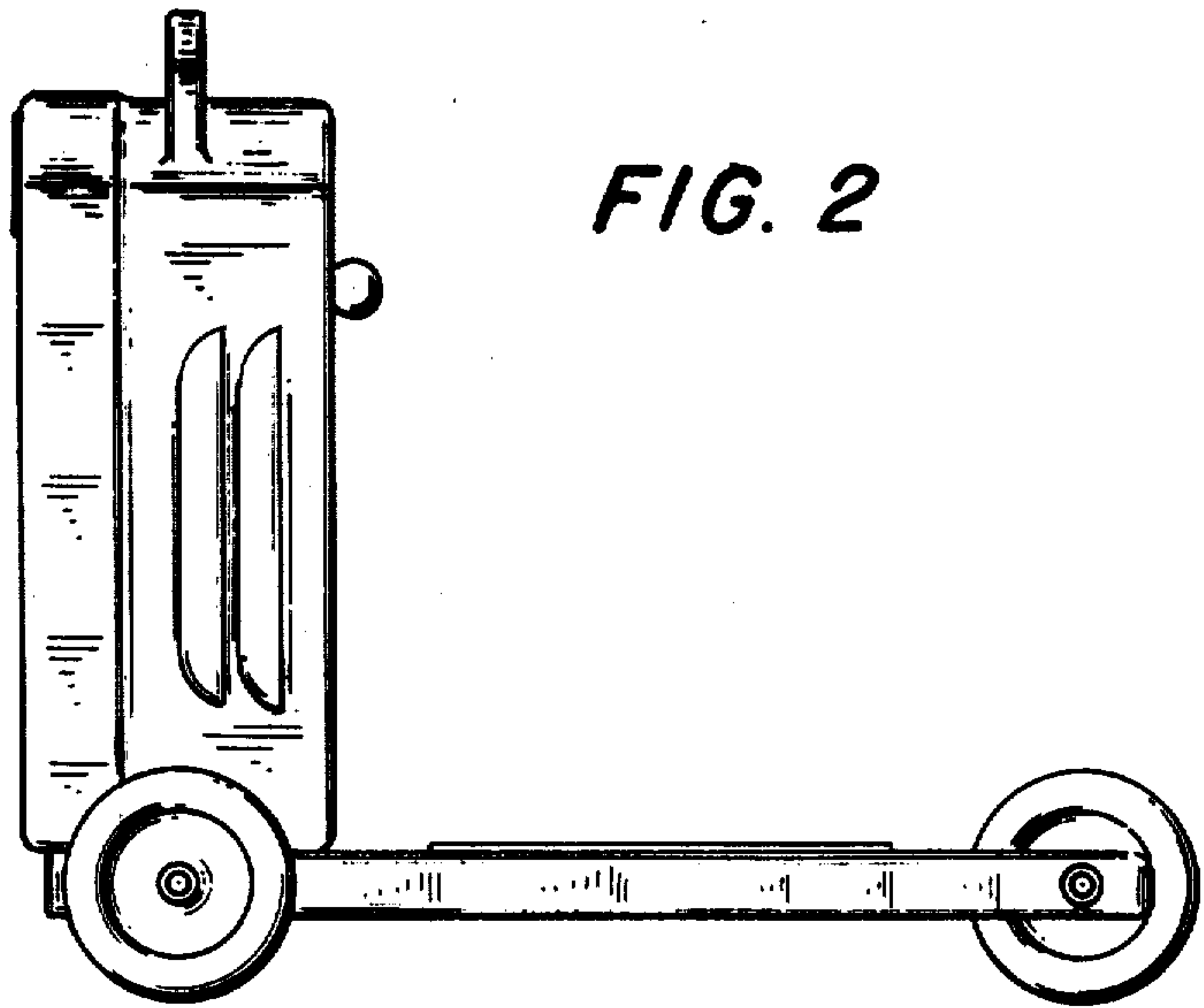


FIG. 3

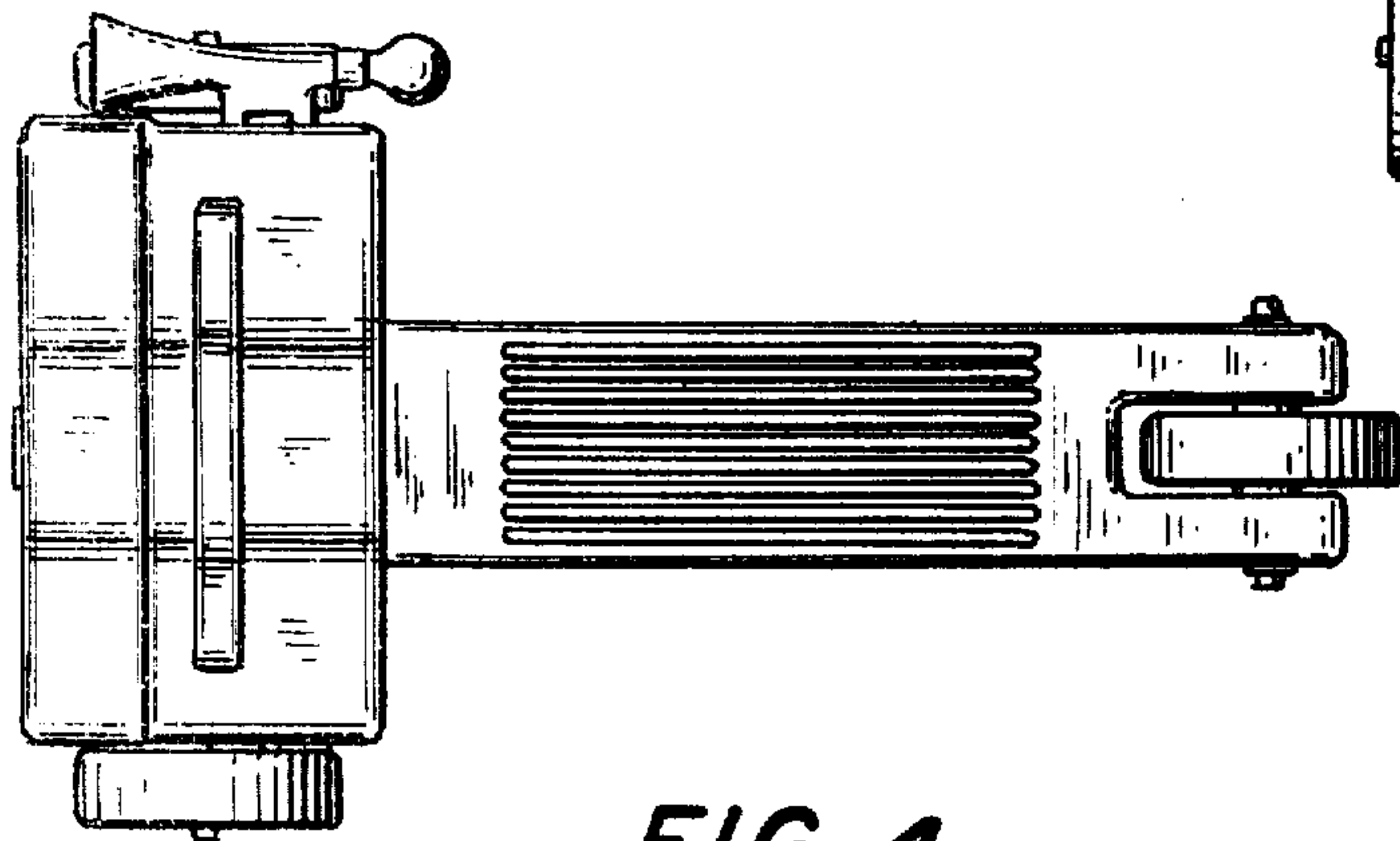


FIG. 4

