

[54] CIRCULAR SAW

[75] Inventor: Peter Lawson, Sao Paulo, Brazil

[73] Assignee: Rockwell do Brasil Industria E. Comercio Ltda., Brazil

[**] Term: 14 Years

[21] Appl. No.: 95,858

[22] Filed: Nov. 19, 1979

[30] Foreign Application Priority Data

May 21, 1979 [BR] Brazil MI3900356

[51] Int. Cl. D15-09

[52] U.S. Cl. D15/133

[58] Field of Search D15/127, 133; 83/471, 83/477.2, 592, 594; 144/222

[56] References Cited

U.S. PATENT DOCUMENTS

D. 152,227	12/1948	Stevens	D15/133
1,821,113	9/1931	Neighbour	D15/133
2,980,152	4/1961	Slavin	83/477.2
4,106,381	8/1978	Kreitz	83/477.2

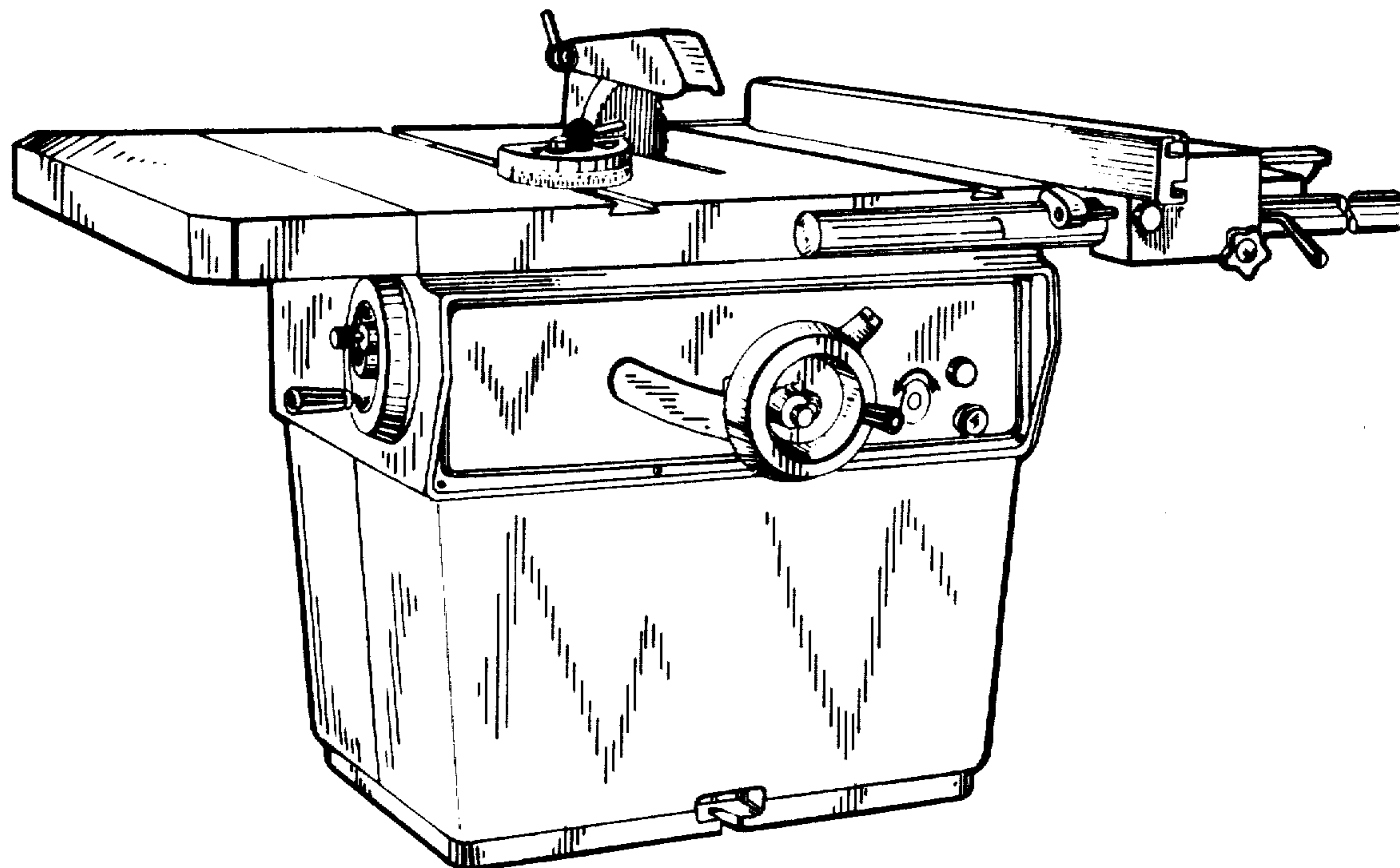
Primary Examiner—B. J. Bullock

[57] CLAIM

The ornamental design for a circular saw, as shown and described.

DESCRIPTION

FIG. 1 is a front perspective view of a circular saw showing my design;
 FIG. 2 is a front elevational view thereof;
 FIG. 3 is a side elevational view taken from the right of FIG. 1;
 FIG. 4 is a side elevational view taken from the left of FIG. 1; and
 FIG. 5 is a rear elevational view thereof.
 The bottom is un-ornamented.



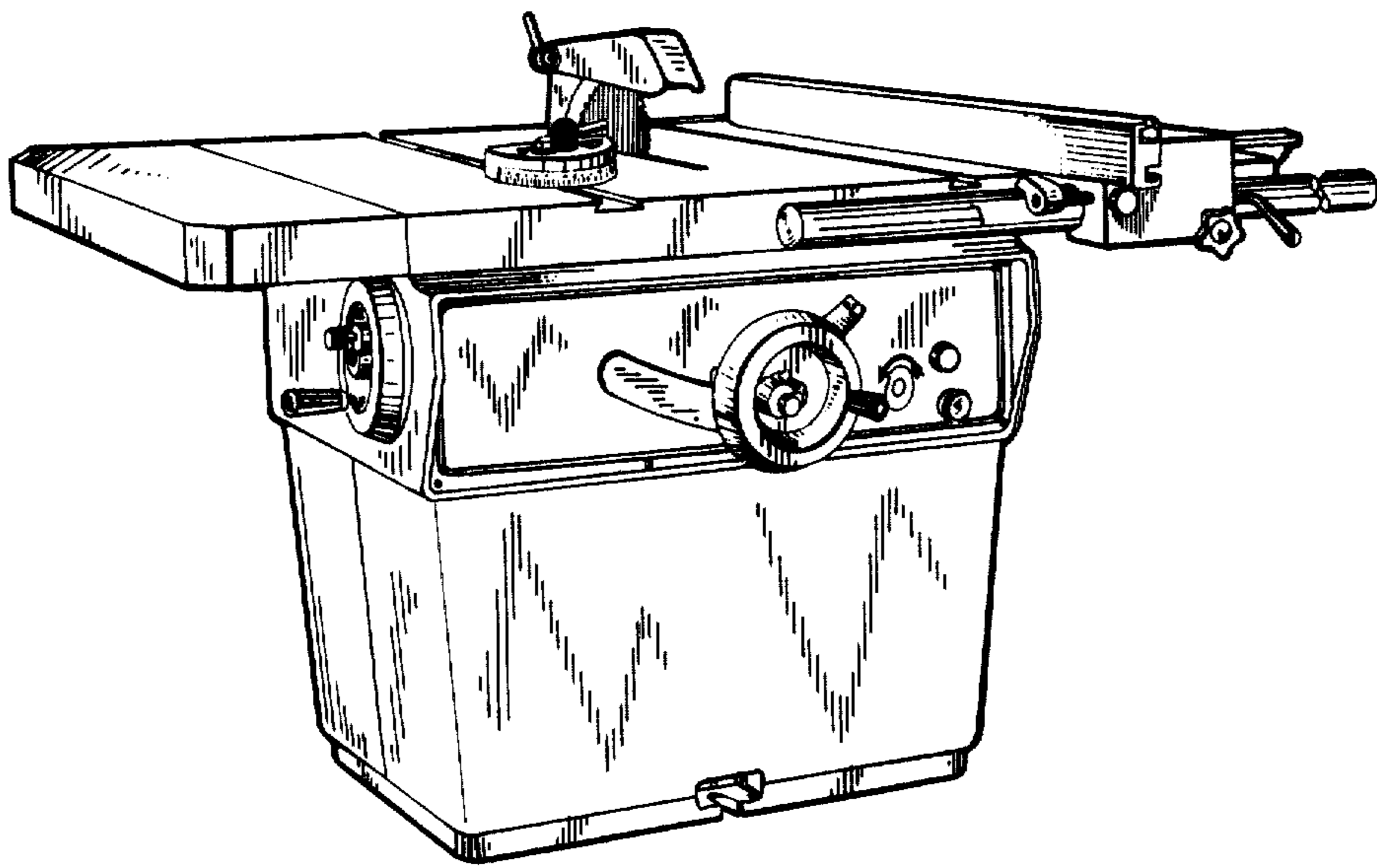


FIG. 1

Fig. 2

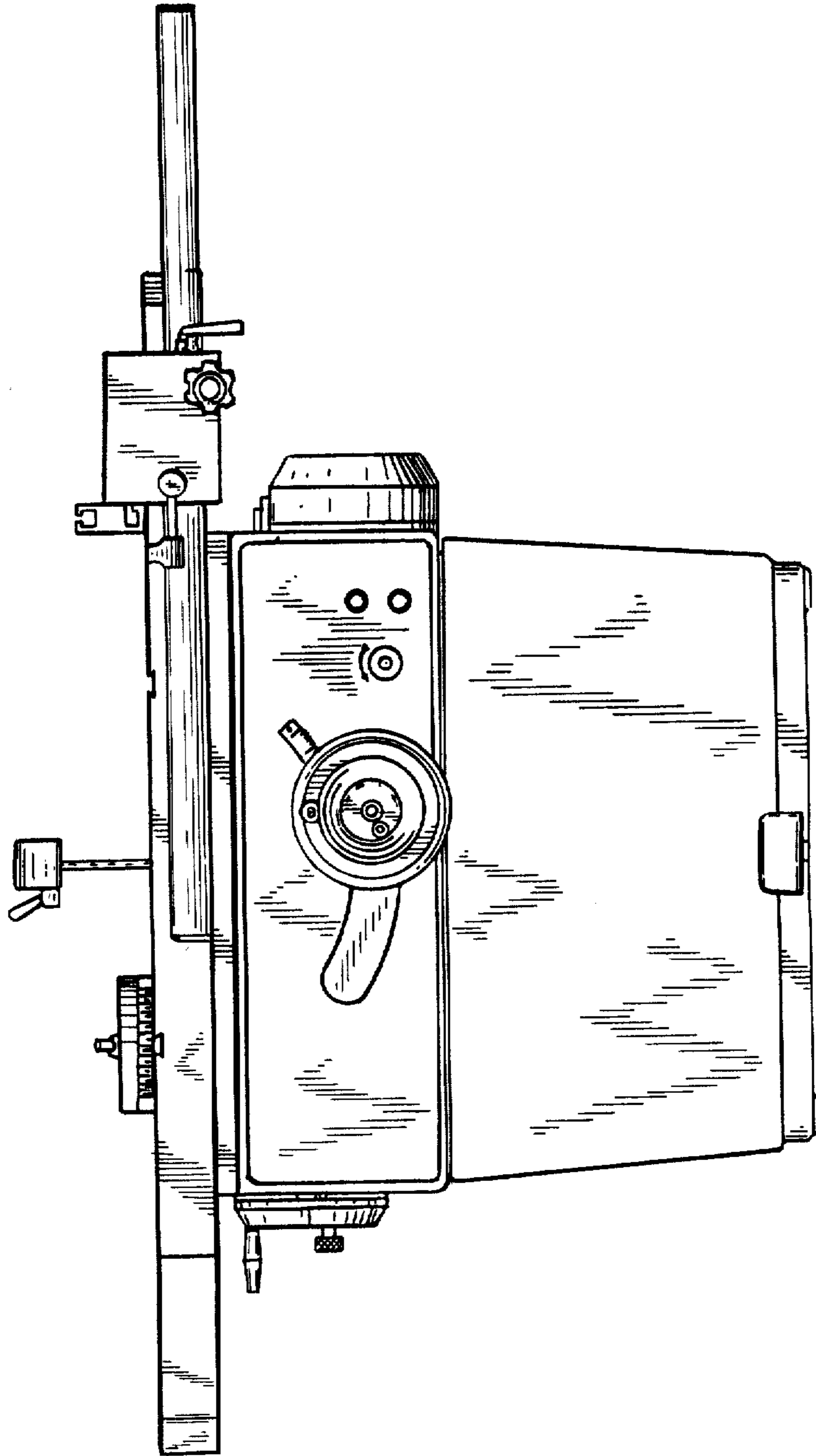


Fig .3.

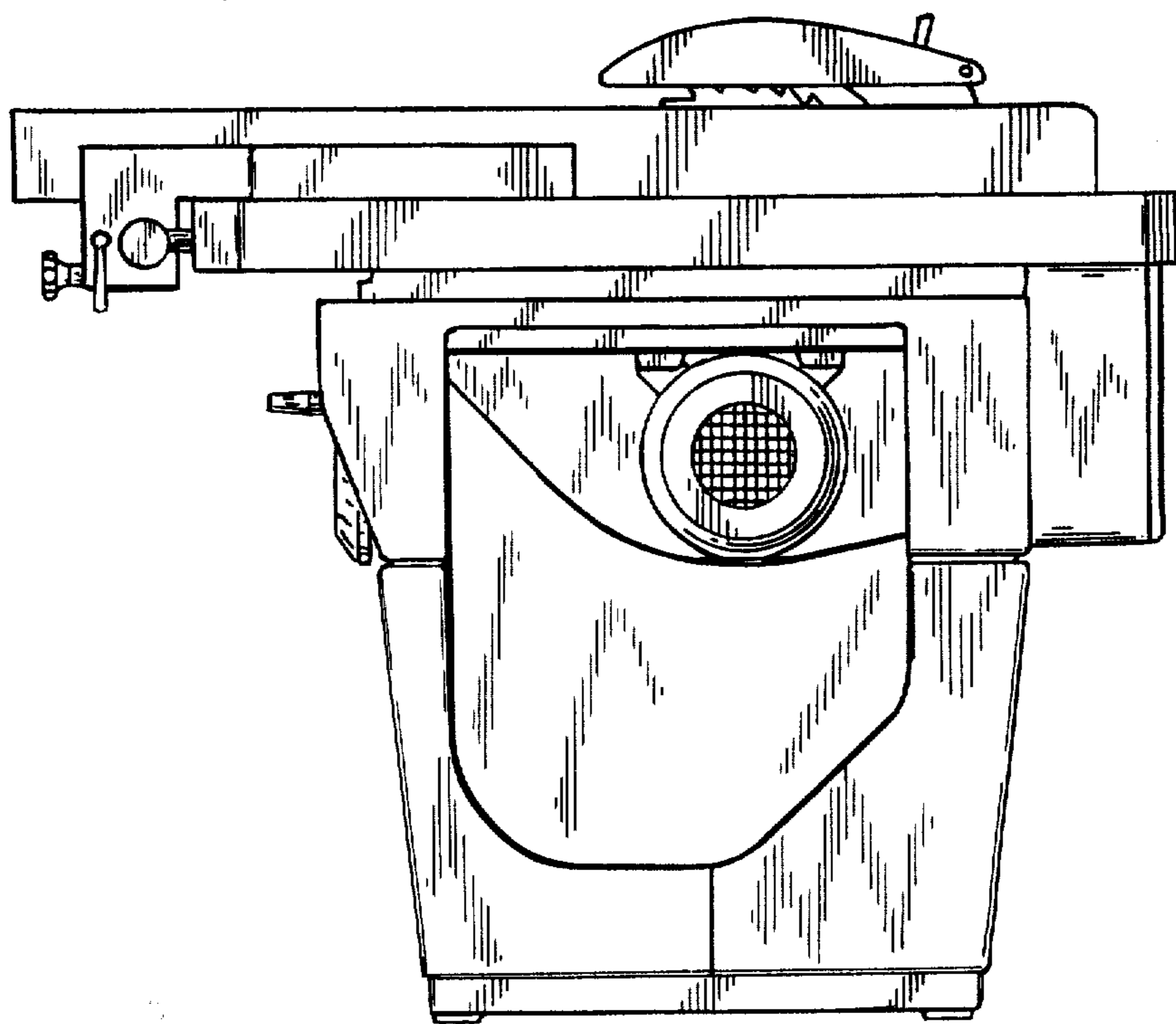
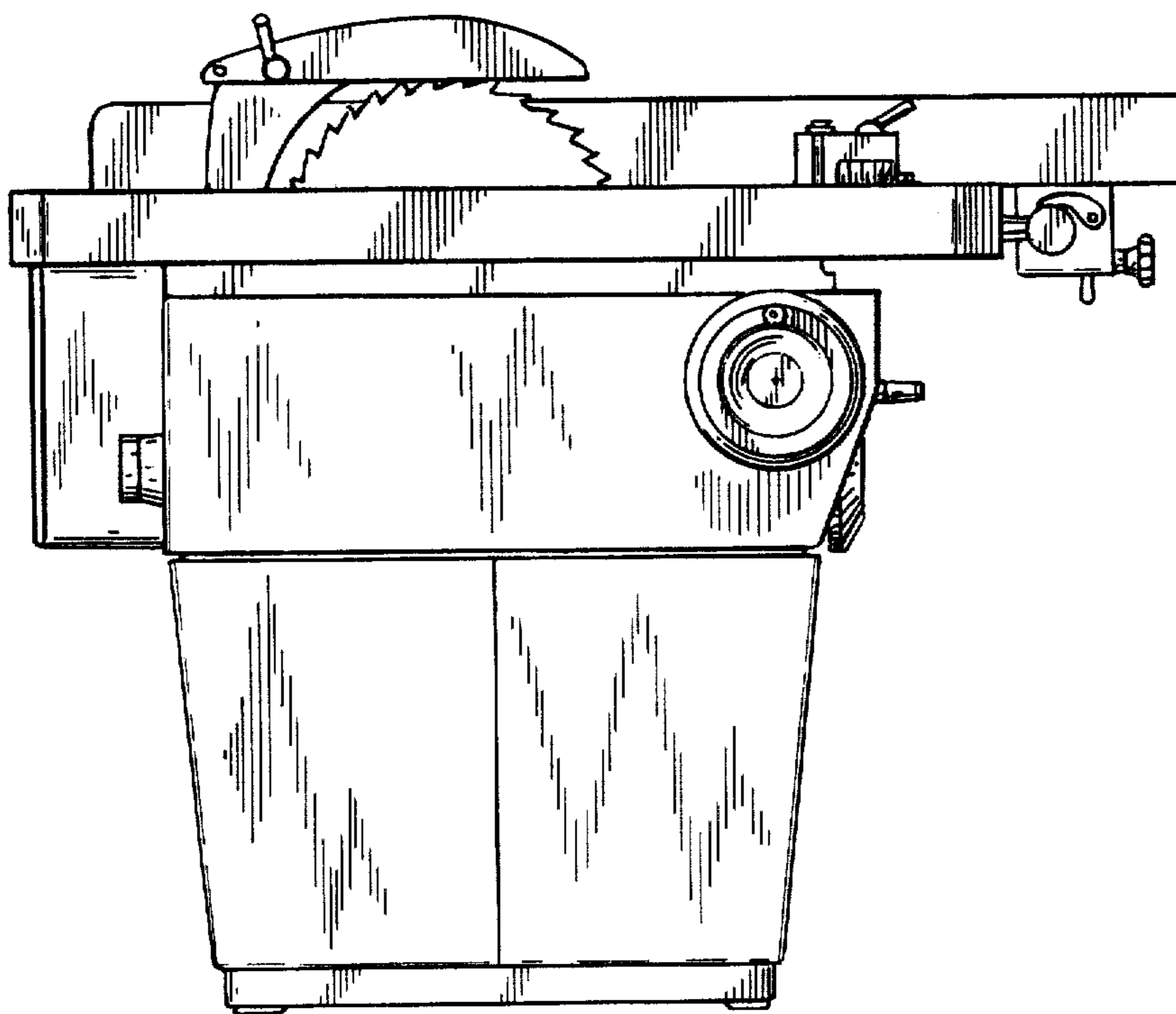


Fig. 4 .



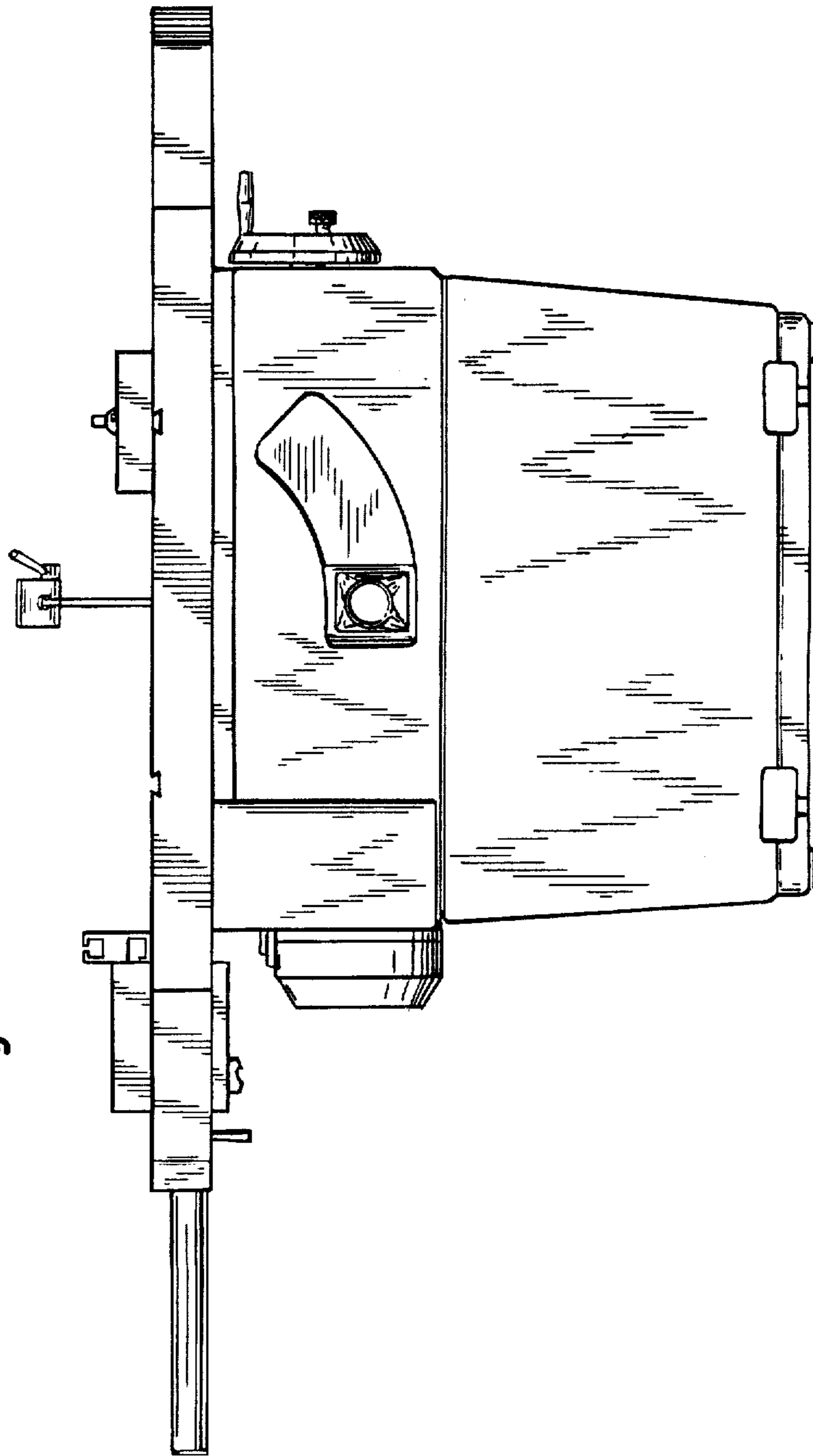


Fig. 5.