

[54] KEYLOADER MODULE FOR ENCRYPTION SYSTEMS OR SIMILAR ARTICLE

[75] Inventors: Robert W. Ellis, Apache Junction; Joseph W. Karas, Phoenix, both of Ariz.

[73] Assignee: Motorola Inc., Schaumburg, Ill.

[\*\*] Term: 14 Years

[21] Appl. No.: 25,953

[22] Filed: Apr. 2, 1979

[51] Int. Cl. .... D14-02

[52] U.S. Cl. .... D14/107

[58] Field of Search ..... D14/40-50; D13/12, 40, 41; 364/900; 361/330, 331, 334, 380, 381, 384, 390, 391, 394

[56] References Cited

U.S. PATENT DOCUMENTS

- D. 210,585 3/1968 Jenkinson ..... D13/41
- D. 227,997 7/1973 Marsalka ..... D14/40

D. 245,004 7/1977 Fox et al. .... D14/45

OTHER PUBLICATIONS

MITS Technical Information, 1977, Altair TM 8800b Turnkey Model Housing.

Midwest Scientific Instruments Microcomputer Products Cat. #2, 1977, front cover MSI 6800 Computer System Housing.

Primary Examiner—Susan J. Lucas

Attorney, Agent, or Firm—M. David Shapiro; Eugene A. Parsons

[57] CLAIM

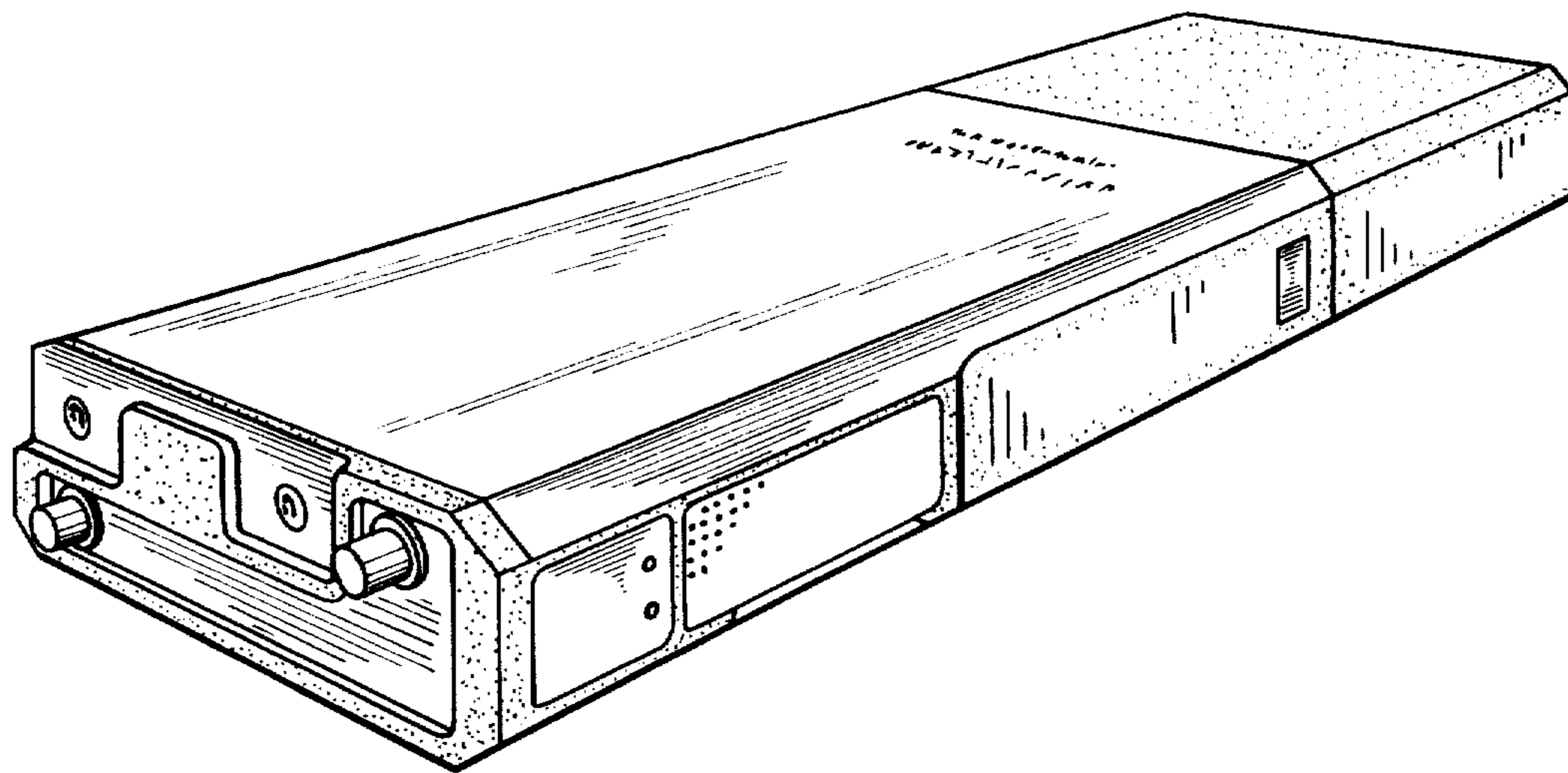
The ornamental design for a keyloader module for encryption systems or similar article, substantially as shown and described.

DESCRIPTION

FIG. 1 is a perspective view of our keyloader module for encryption systems or similar article showing the front, one side and the top of our new design.

FIG. 2 is a bottom view thereof on a reduced scale;

FIG. 3 is a left side view thereof on a reduced scale.



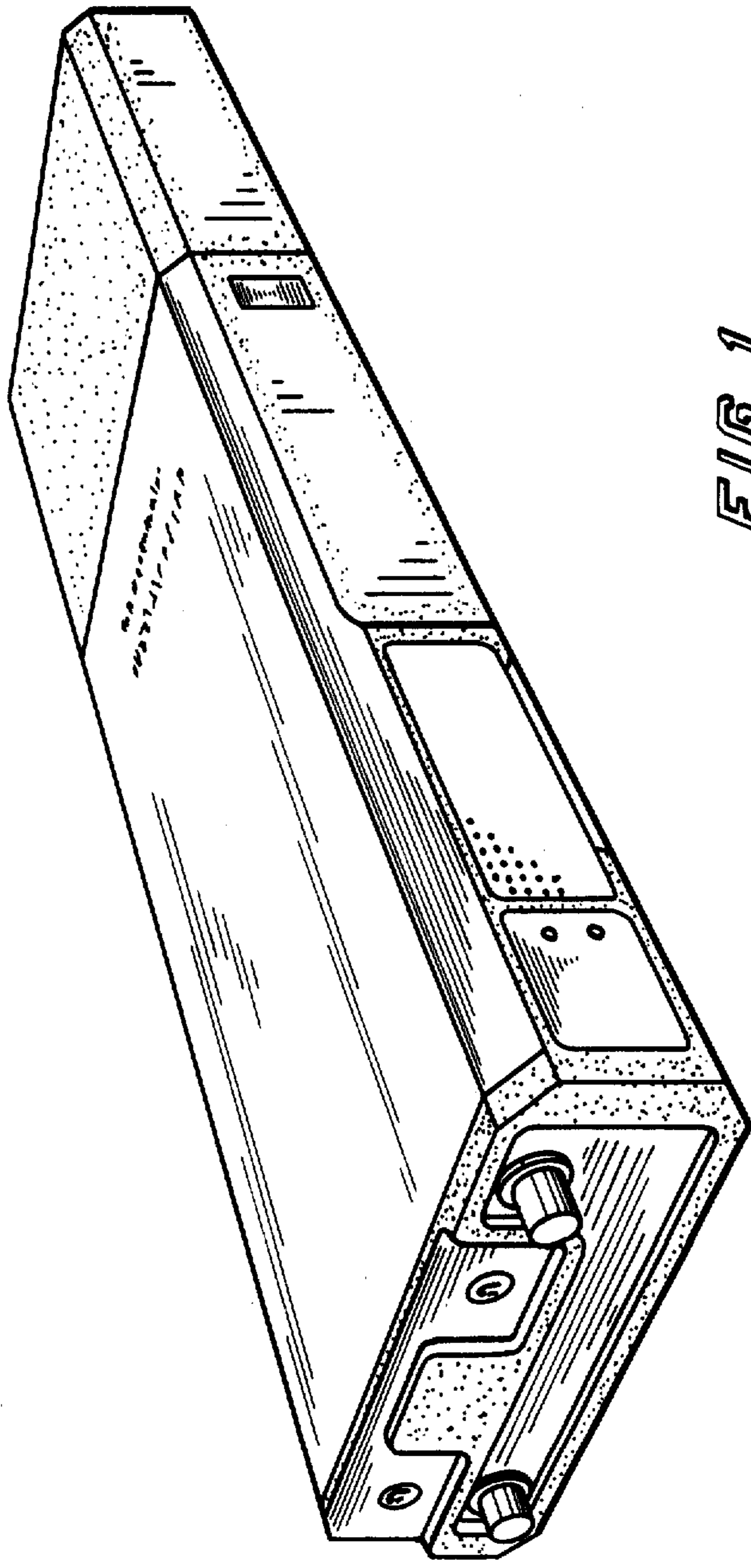
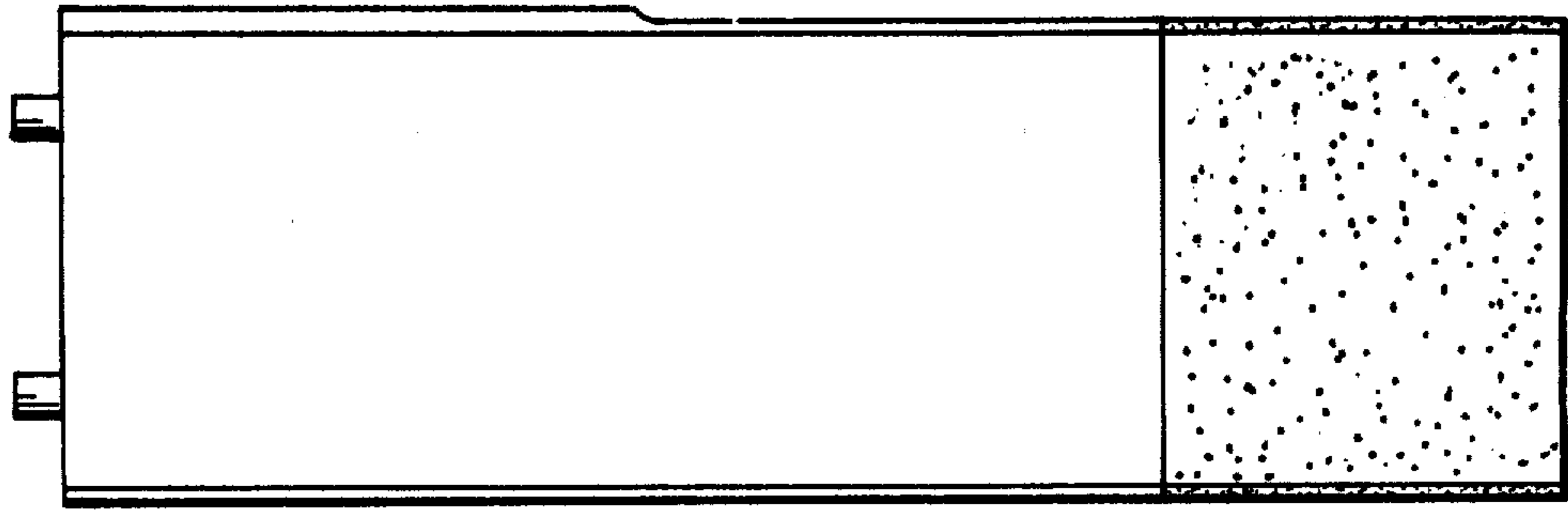
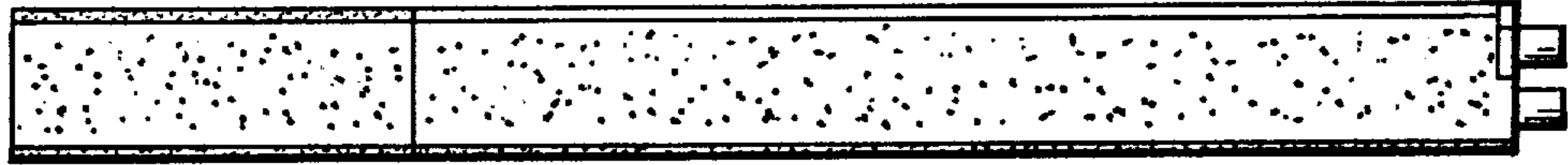


FIG 1



*FIG 2*



*FIG 3*