

[54] **POURING SPOUT OR SIMILAR ARTICLE**

[76] **Inventor:** **Dino O. Santroni**, Sargento Baigorria  
2394, Munro, Province of Buenos  
Aires, Argentina

[\*\*] **Term:** **14 Years**

[21] **Appl. No.:** **208,597**

[22] **Filed:** **Nov. 19, 1980**

[30] **Foreign Application Priority Data**

May 19, 1980 [AR] Argentina ..... 39608

[51] **Int. Cl.** ..... **D9-07**

[52] **U.S. Cl.** ..... **D9/437**

[58] **Field of Search** ..... **D9/437, 440, 447, 449;**  
**D8/33, 34, 41; D7/59, 64, 65, 66, 106;**  
**222/566-571**

[56] **References Cited**

**U.S. PATENT DOCUMENTS**

D. 55,395	6/1920	O'Brien	.....	D9/447
D. 206,971	2/1967	Williams	.....	D9/447
D. 207,236	3/1967	Fields	.....	D7/64
D. 208,567	9/1967	Mitchell	.....	D7/64
D. 218,154	7/1970	Campbell	.....	D9/437
D. 229,895	1/1974	Musumeci	.....	D9/437
D. 243,579	3/1977	Benes	.....	D7/64

*Primary Examiner*—Robert C. Spangler

[57] **CLAIM**

The ornamental design for a pouring spout or similar article, substantially as shown.

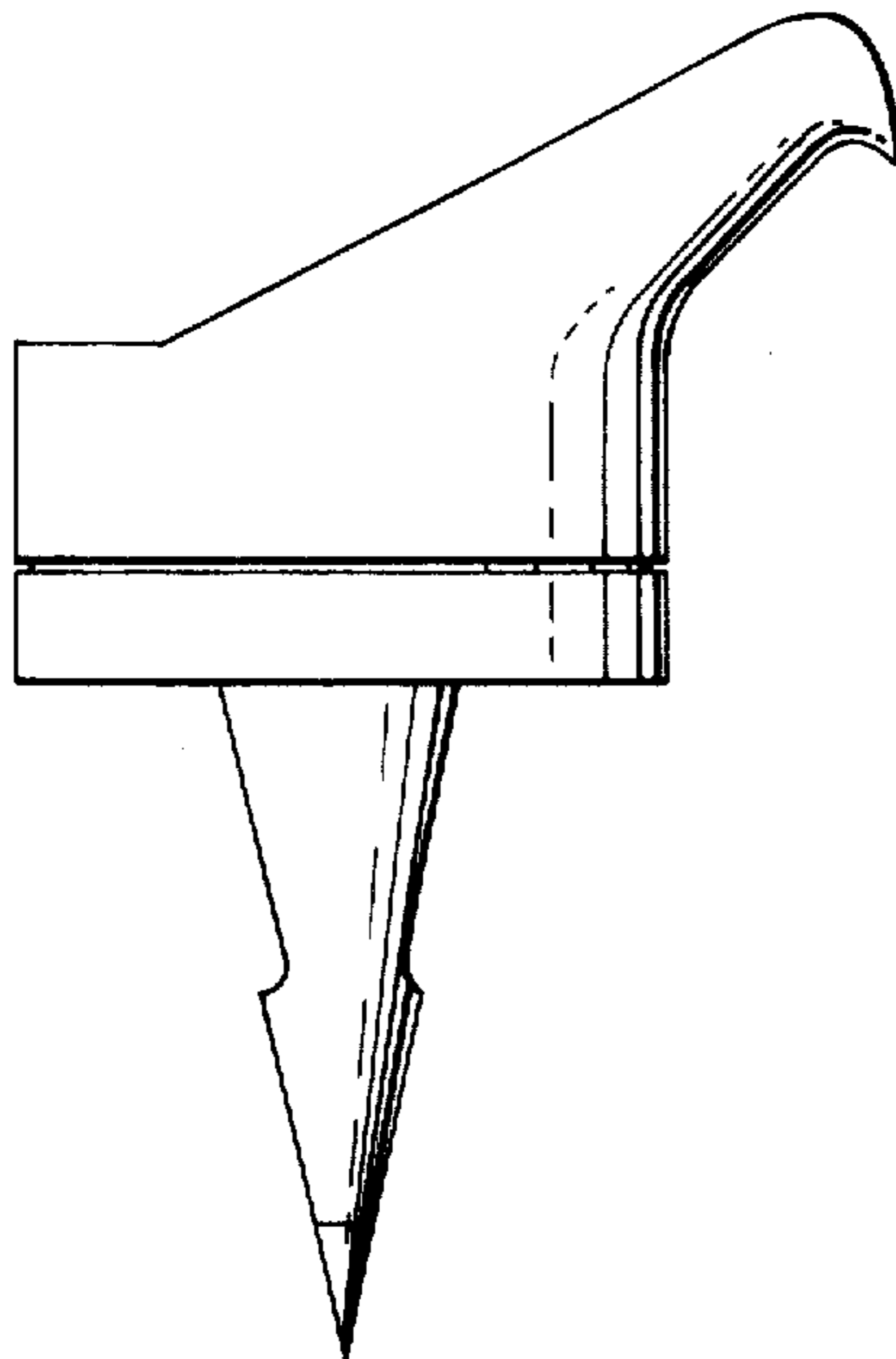
**DESCRIPTION**

FIG. 1 is a perspective view of a pouring spout or similar article showing my new design;

FIG. 2 is an enlarged side elevational view;

FIG. 3 is a rear elevational view thereof; and

FIG. 4 is a medial sectional view thereof.



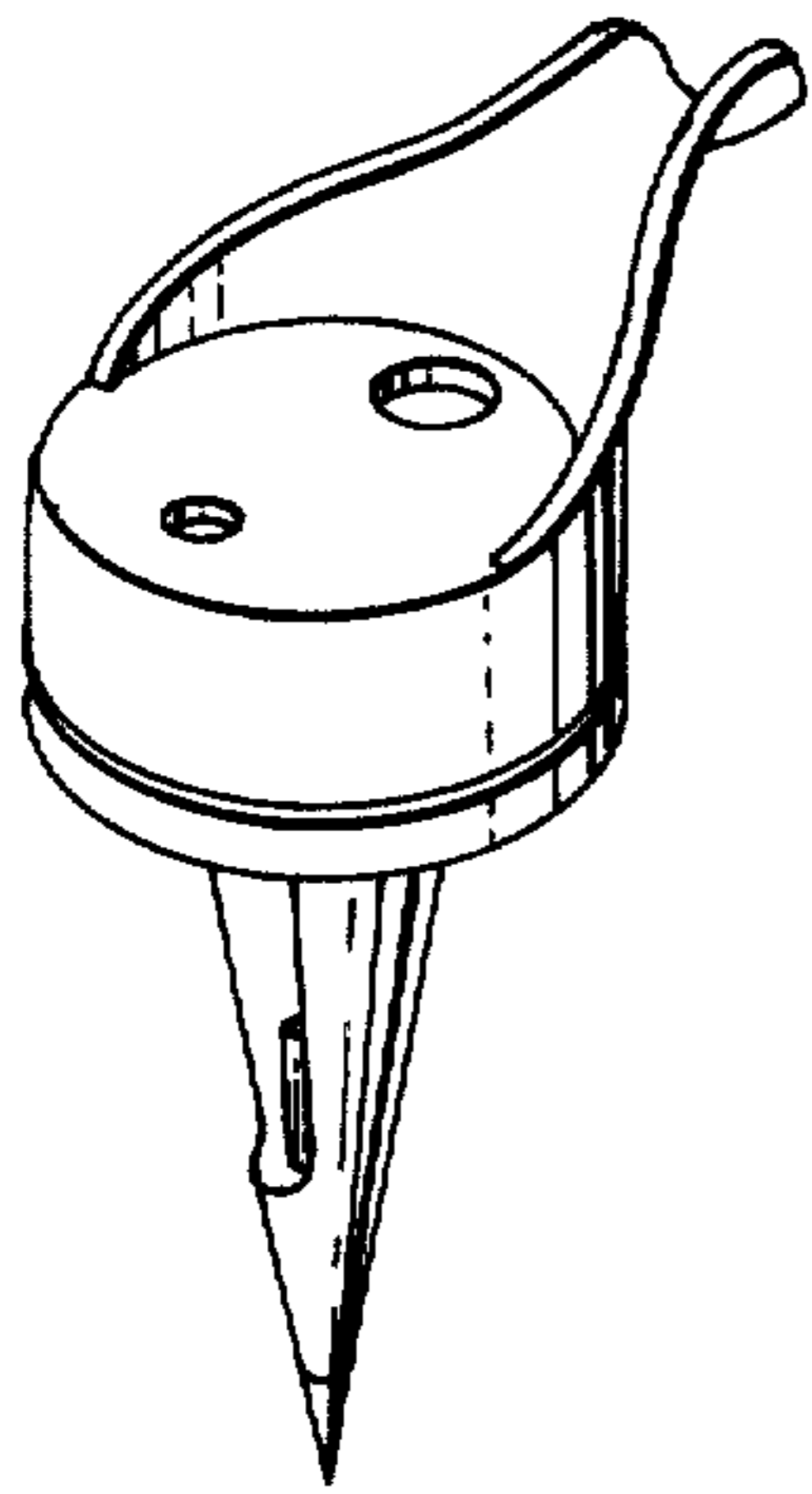


Fig. 1

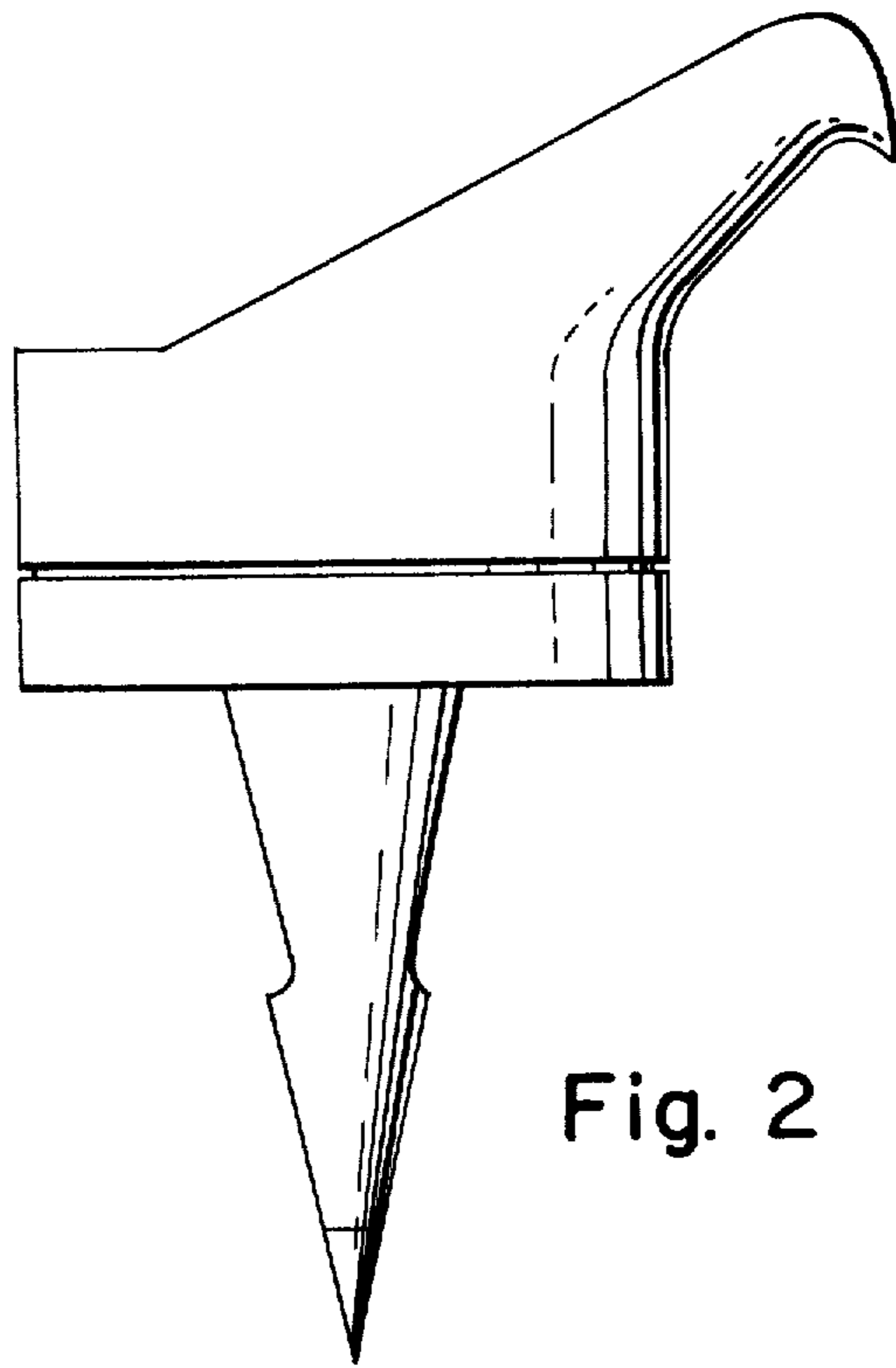


Fig. 2

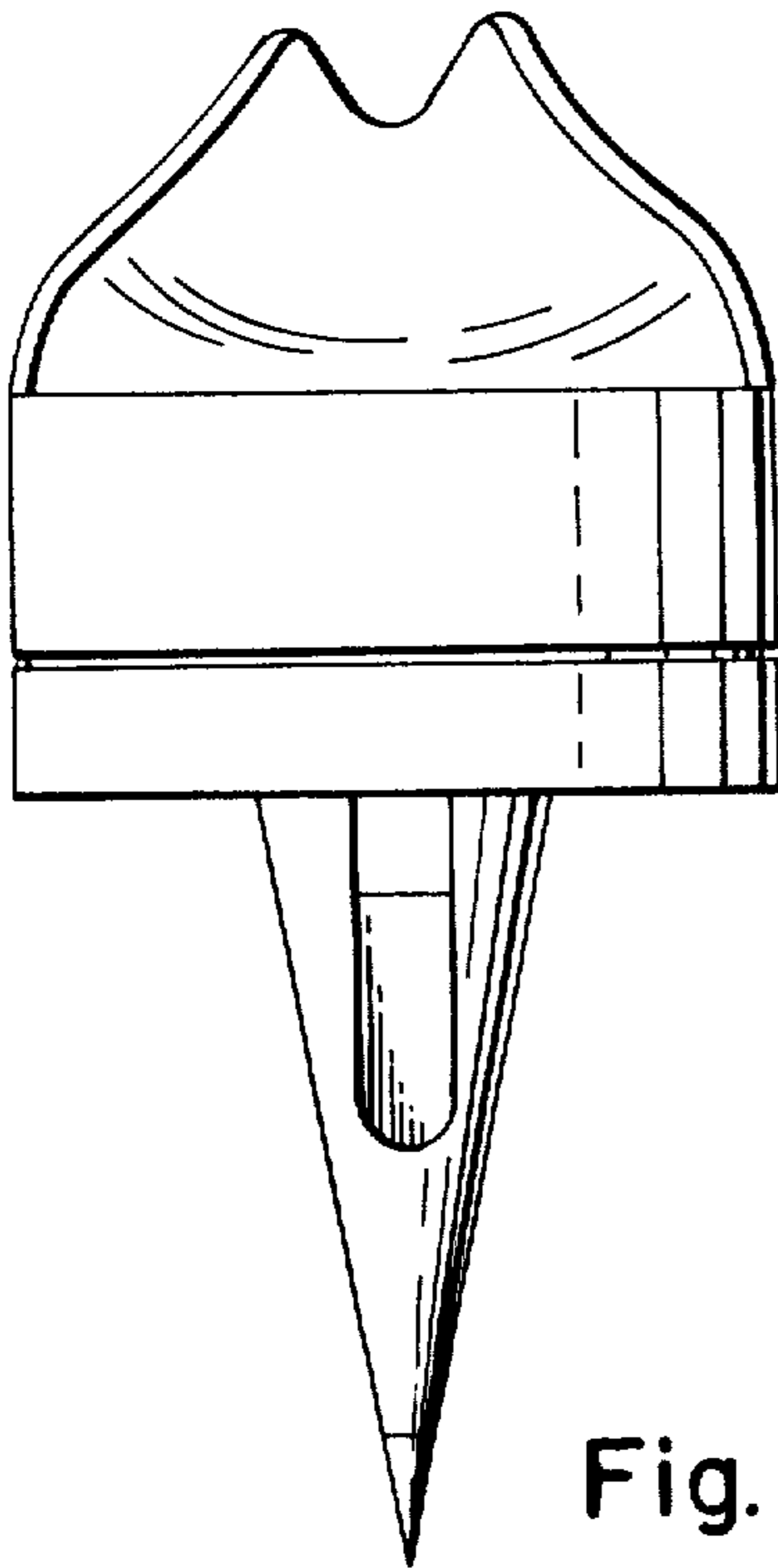


Fig. 3

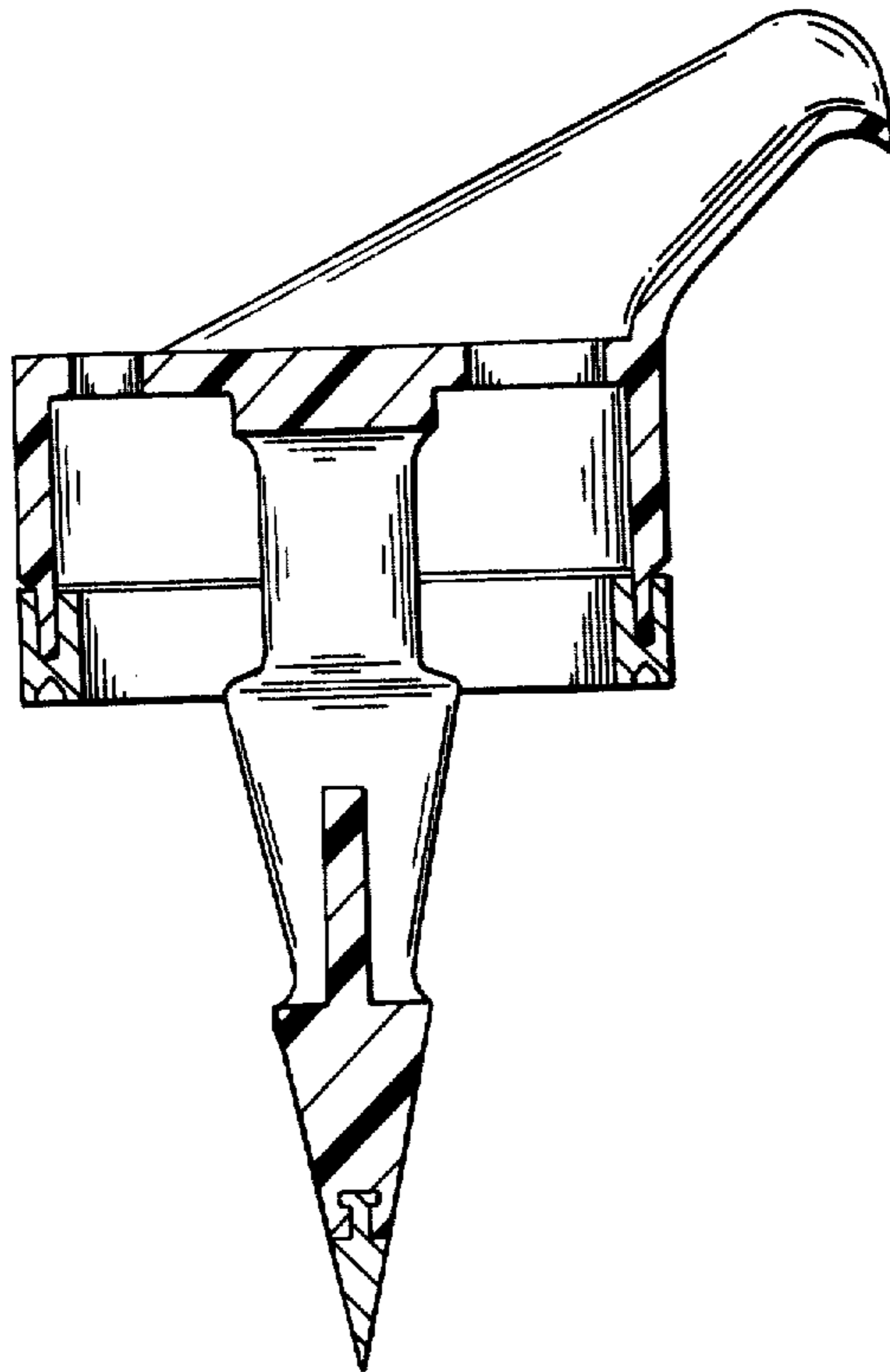


FIG. 4