

[54] ELECTRICAL CABLE ACCESS GROMMET FOR USE IN OFFICE FURNITURE

3,510,628 5/1970 Zahaykeuich ..... 174/65 G  
3,564,113 2/1971 Kindler ..... 174/65 G

[75] Inventor: Vytautas K. Beleckis, East Longmeadow, Mass.

[73] Assignee: Dennison National Company, Holyoke, Mass.

[\*\*] Term: 14 Years

[21] Appl. No.: 246,750

[22] Filed: Mar. 23, 1981

[51] Int. Cl. .... D8-99; D6-06

[52] U.S. Cl. .... D8/400; D6/191; D8/356

[58] Field of Search ..... 411/531, 542; D8/356, D8/399, 382, 400; 16/2; 174/65 G, 152 G, 153 G; 248/56; D6/191

[56] References Cited

U.S. PATENT DOCUMENTS

1,952,695 3/1934 Webb et al. .... 248/56  
3,057,001 10/1962 Rapata ..... 16/2  
3,182,120 5/1965 Duhn ..... 16/2

OTHER PUBLICATIONS

IBM Technical Disclosure Bulletin, vol. 16, No. 7, 12/73, p. 2227, Cable Seal and Insulator.

Primary Examiner—B. J. Bullock  
Attorney, Agent, or Firm—Chapin, Neal & Dempsey

[57] CLAIM

The ornamental design for an electrical cable access grommet for use in office furniture, as shown.

DESCRIPTION

FIG. 1 is a front perspective view of an electrical cable access grommet for use in office furniture showing my new design;

FIG. 2 is a rear elevational view thereof;

FIG. 3 is a top plan view thereof;

FIG. 4 is a perspective view similar to FIG. 1 being tilted slightly backwards;

FIG. 5 is a side elevational view taken from the left of FIG. 1;

FIG. 6 is a side elevational view taken from the right of FIG. 1.

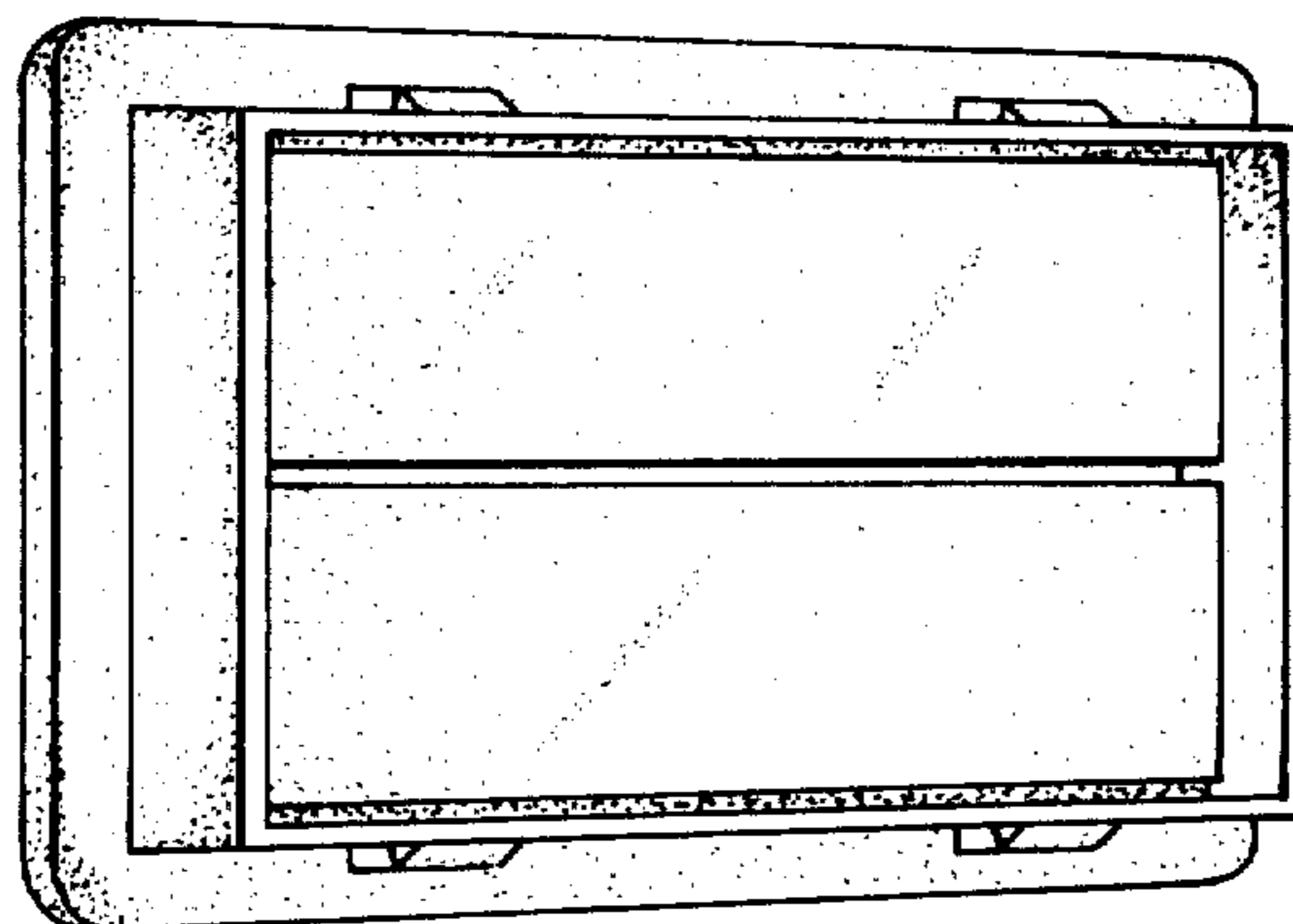


Fig. 1.

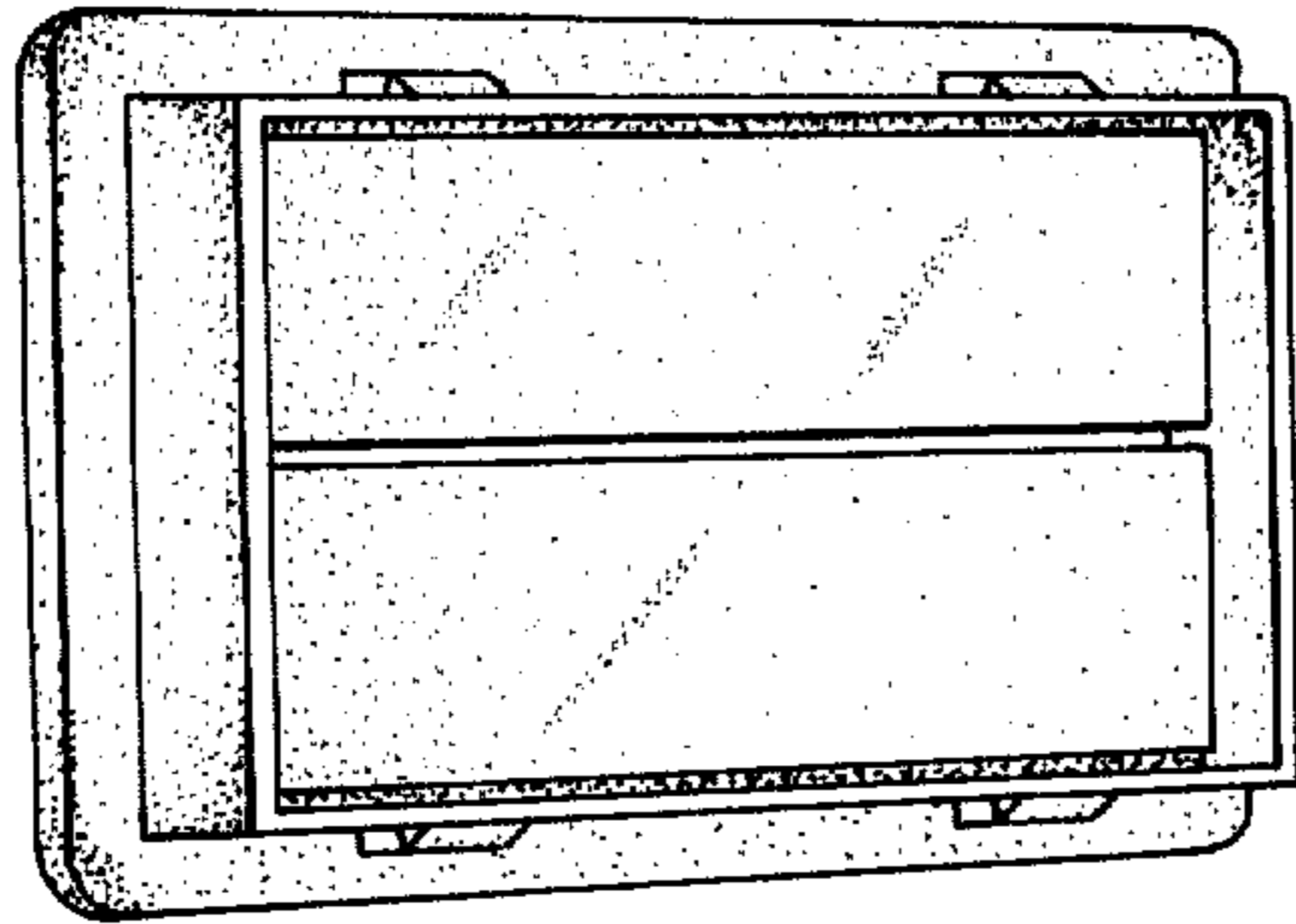


Fig. 2.

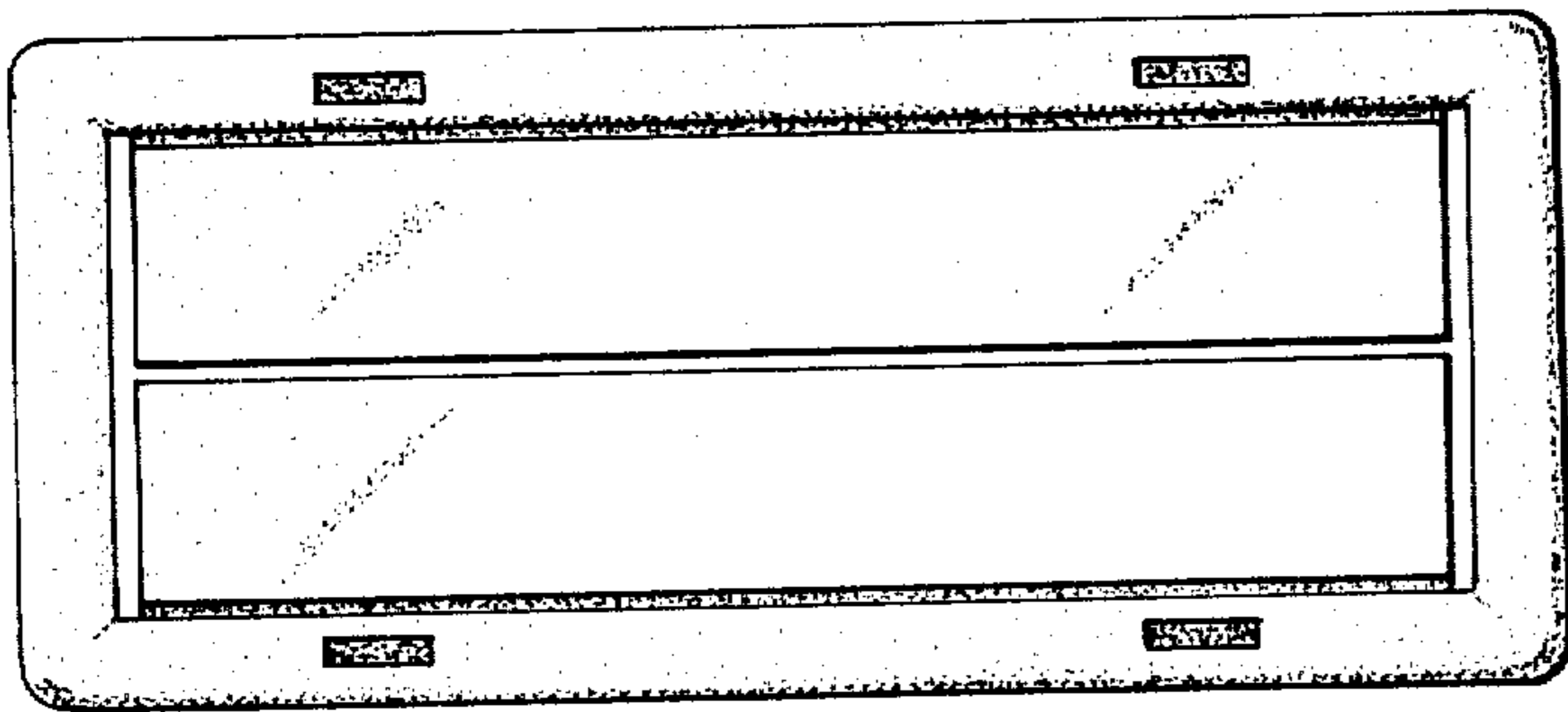


Fig. 3.

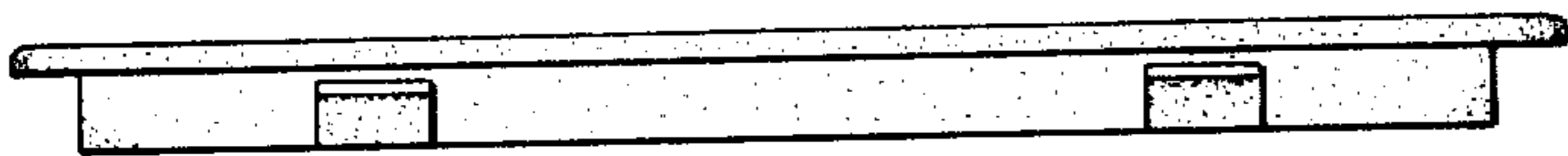


Fig. 5.



Fig. 6.

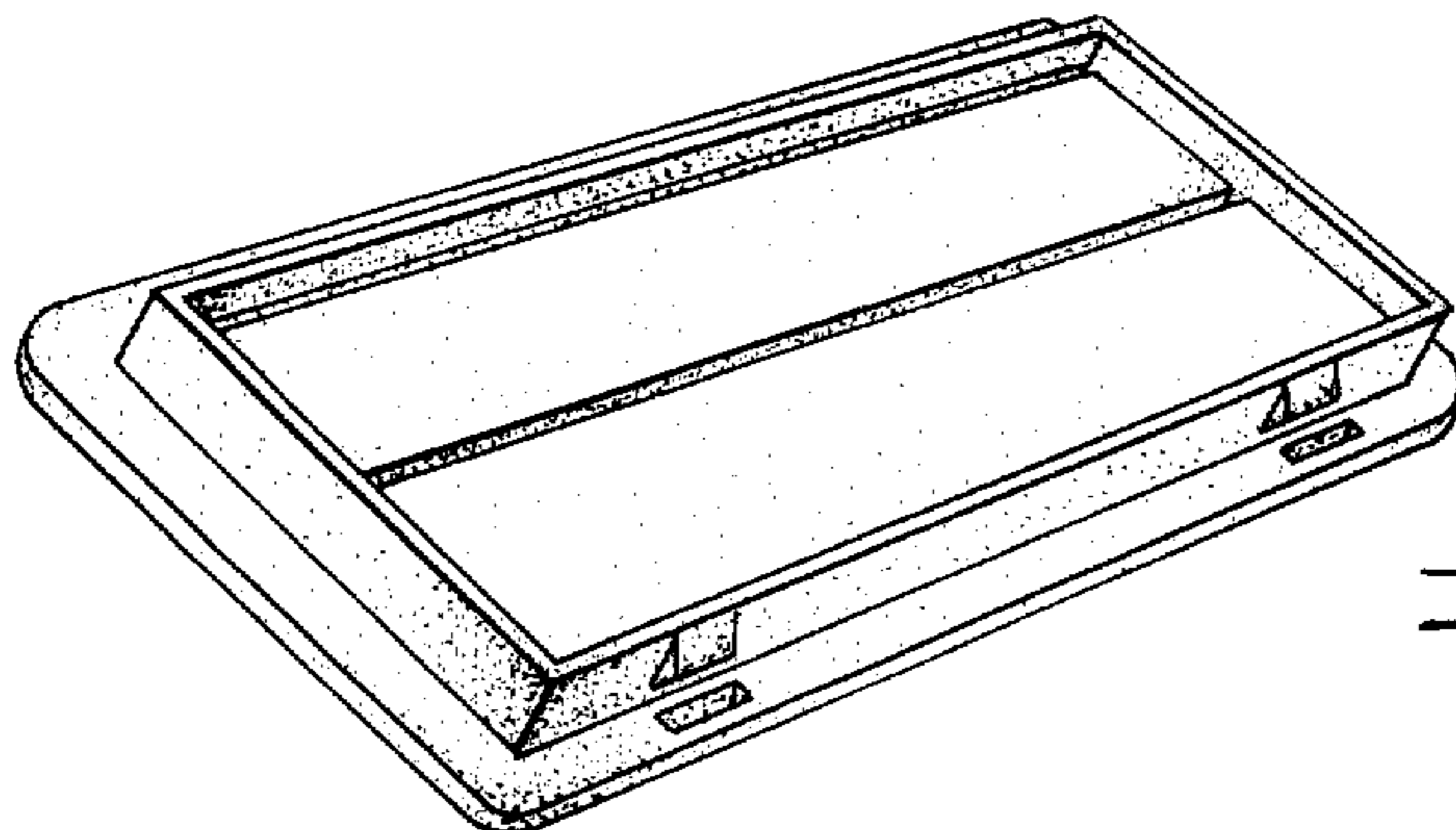


Fig. 4.