

[54] SHANK ELEMENT FOR A DRIVE FASTENER

3,665,800 5/1972 Ryder 411/508 X
3,810,279 5/1974 Swick et al. 411/509
4,214,505 7/1980 Aimar 411/510 X
4,261,243 4/1981 Palmer 411/510

[75] Inventor: Burnell U. Wollar, Barrington, Ill.

[73] Assignee: Phillips Plastics Corp., Phillips, Wis.

Primary Examiner—Bernard Ansher
Attorney, Agent, or Firm—James E. Nilles

[**] Term: 14 Years

[57] CLAIM

[21] Appl. No.: 196,203

The ornamental design for a shank element for a drive fastener, substantially as shown and described.

[22] Filed: Oct. 14, 1980

DESCRIPTION

[51] Int. Cl. D8-08

[52] U.S. Cl. D8/385; D8/388

[58] Field of Search D8/385, 388; 411/508, 411/509, 510

FIG. 1 is a front elevation of a shank element for a drive fastener;

FIG. 2 is a top plan view thereof;

FIG. 3 is a bottom plan view thereof;

FIG. 4 is a side elevation view thereof;

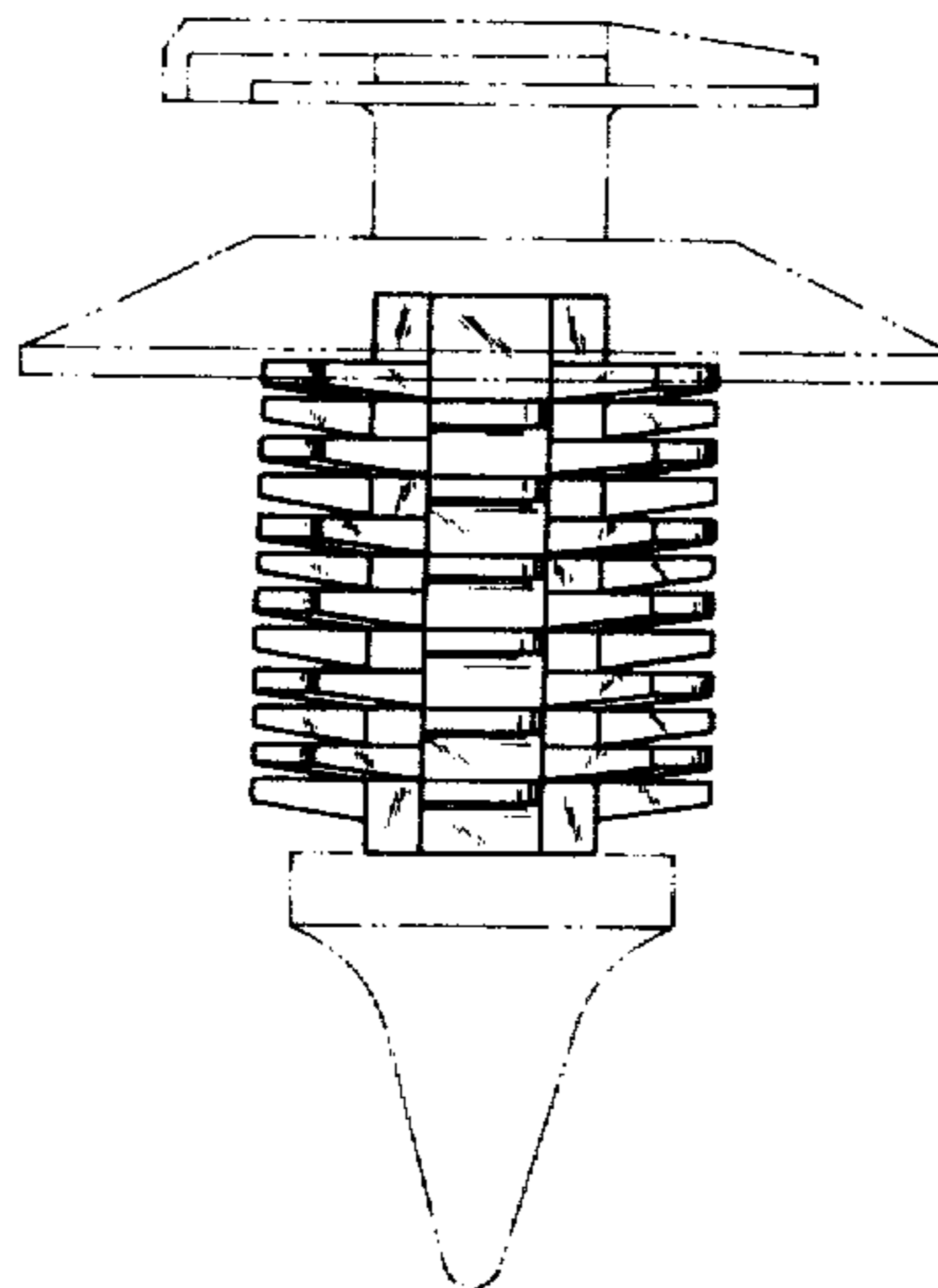
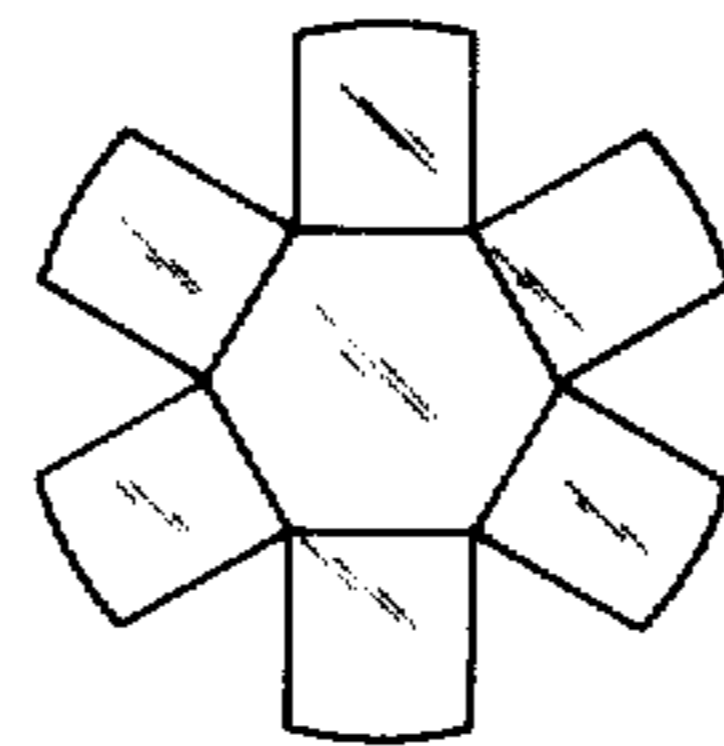
FIG. 5 is a rear elevation thereof.

The broken lines are shown for illustrative purposes only.

[56] References Cited

U.S. PATENT DOCUMENTS

D. 228,340 9/1973 Jennings D8/385



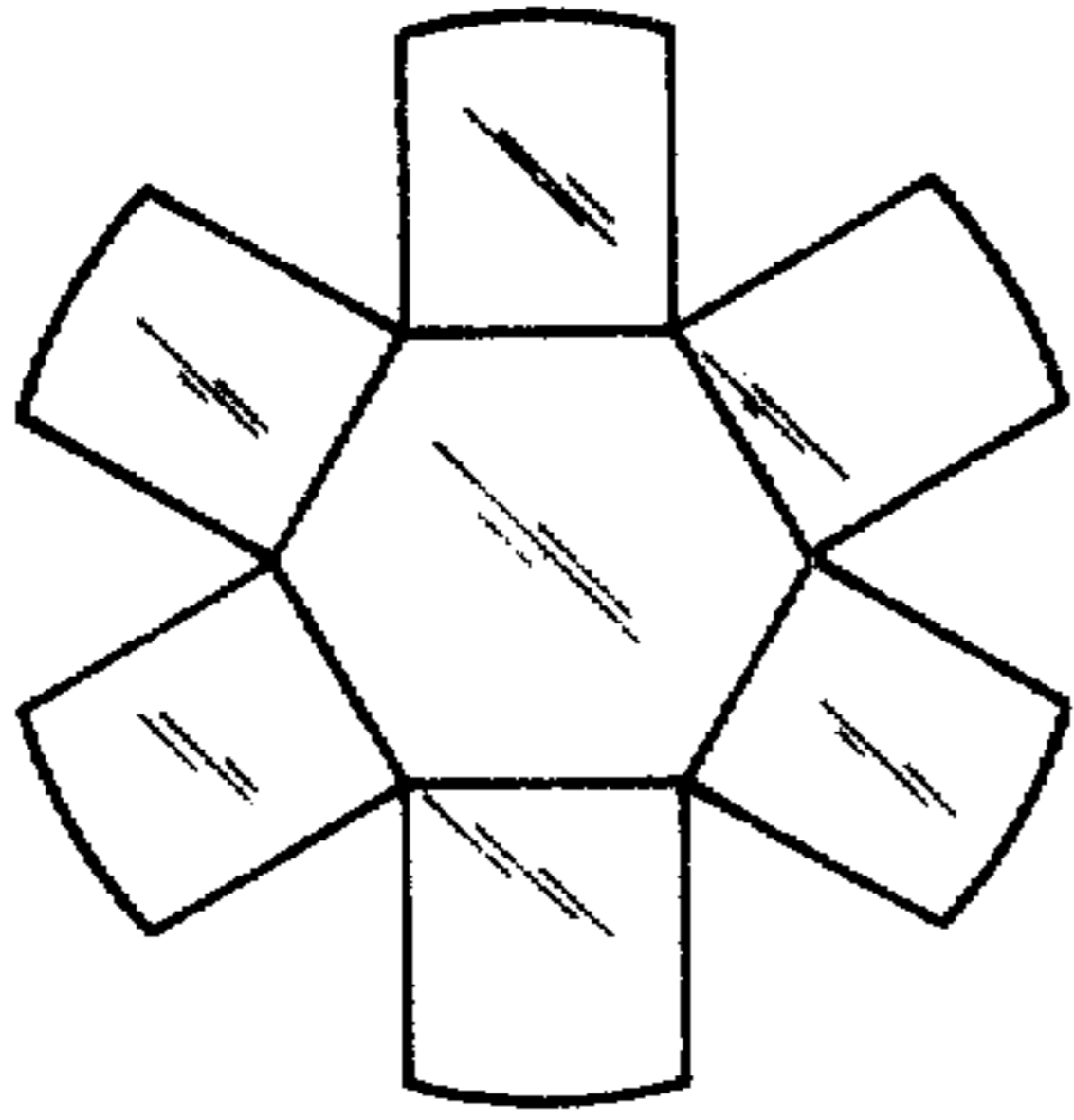


FIG. 2

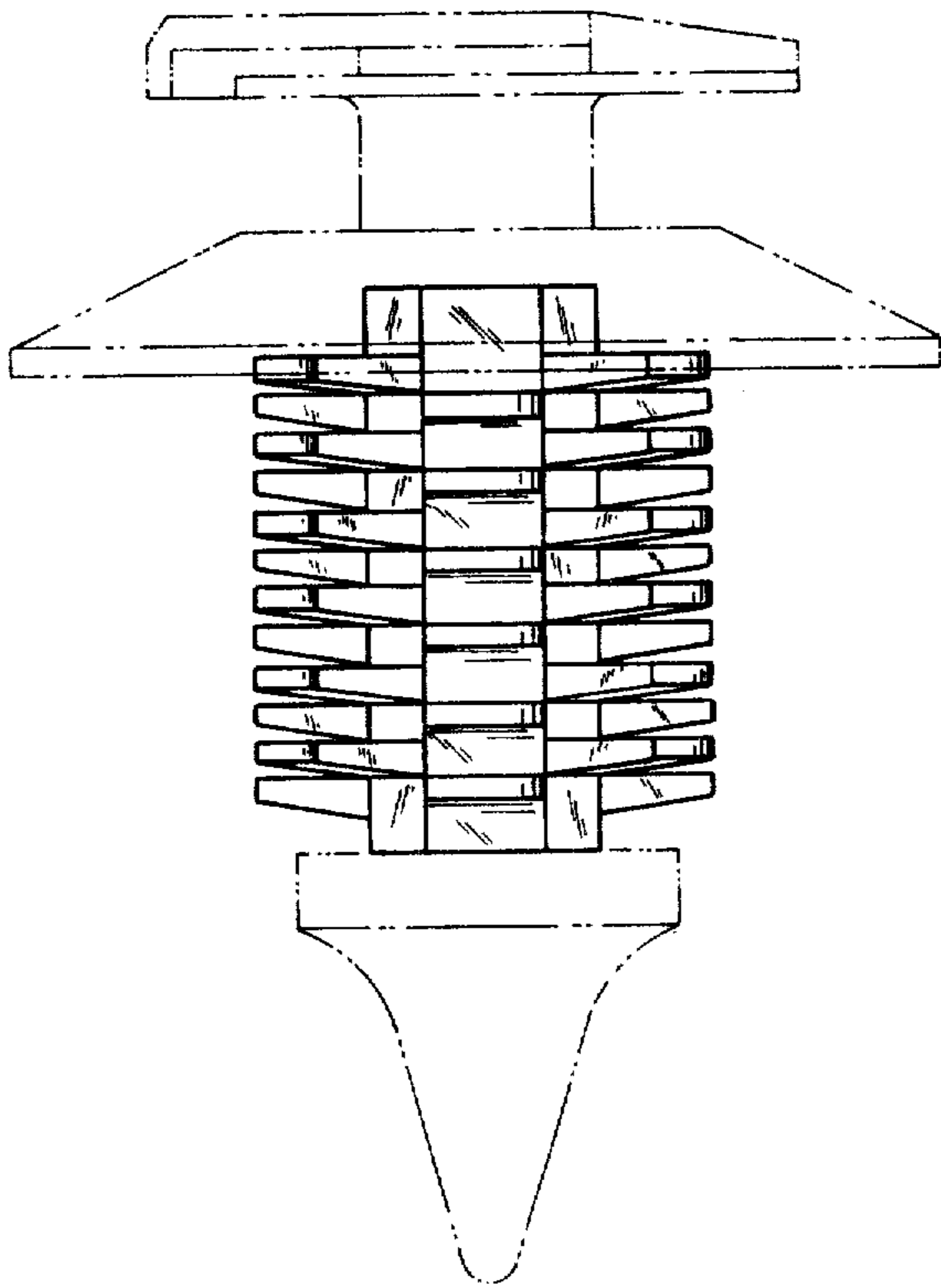


FIG. 1

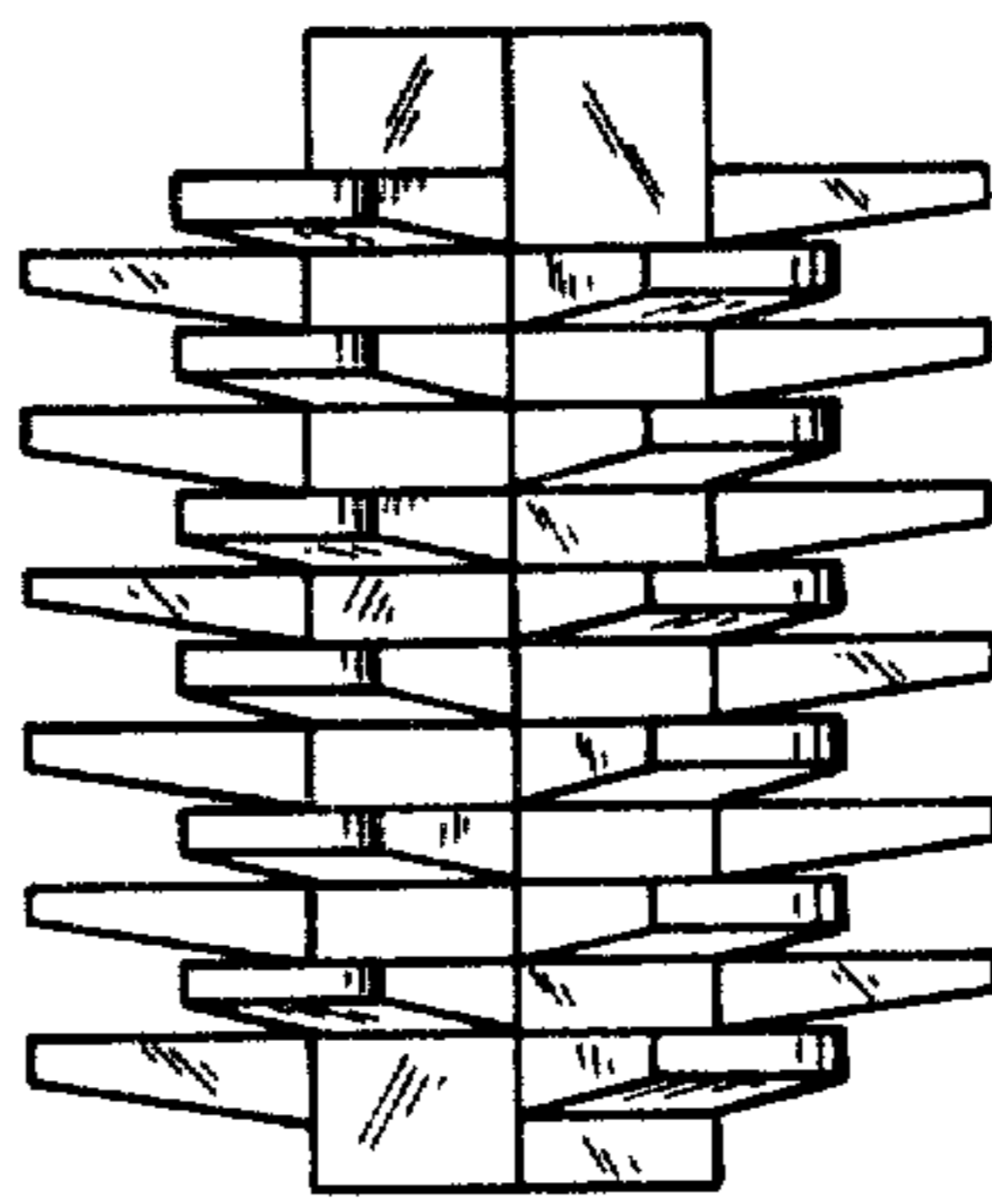


FIG. 4

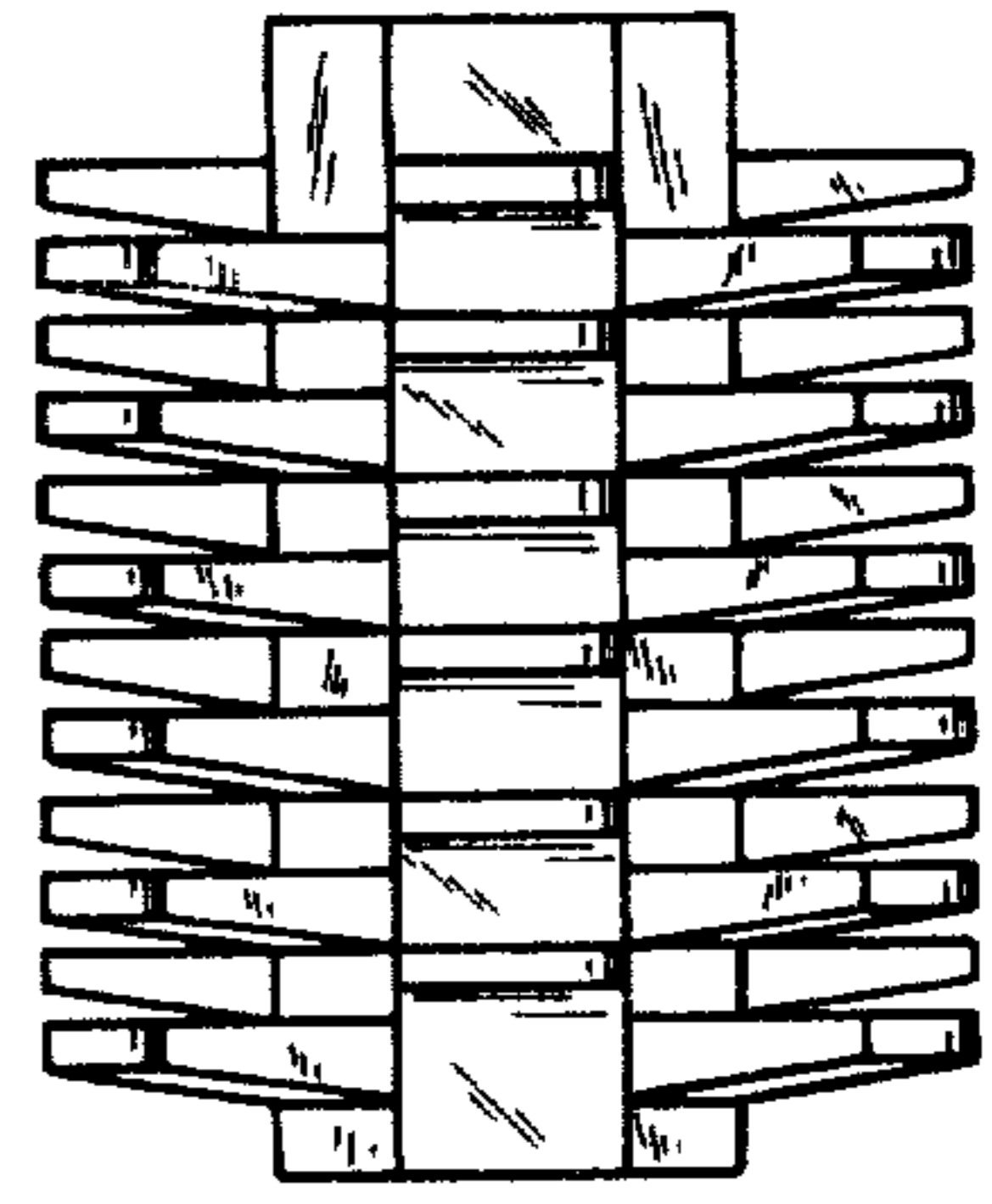


FIG. 5

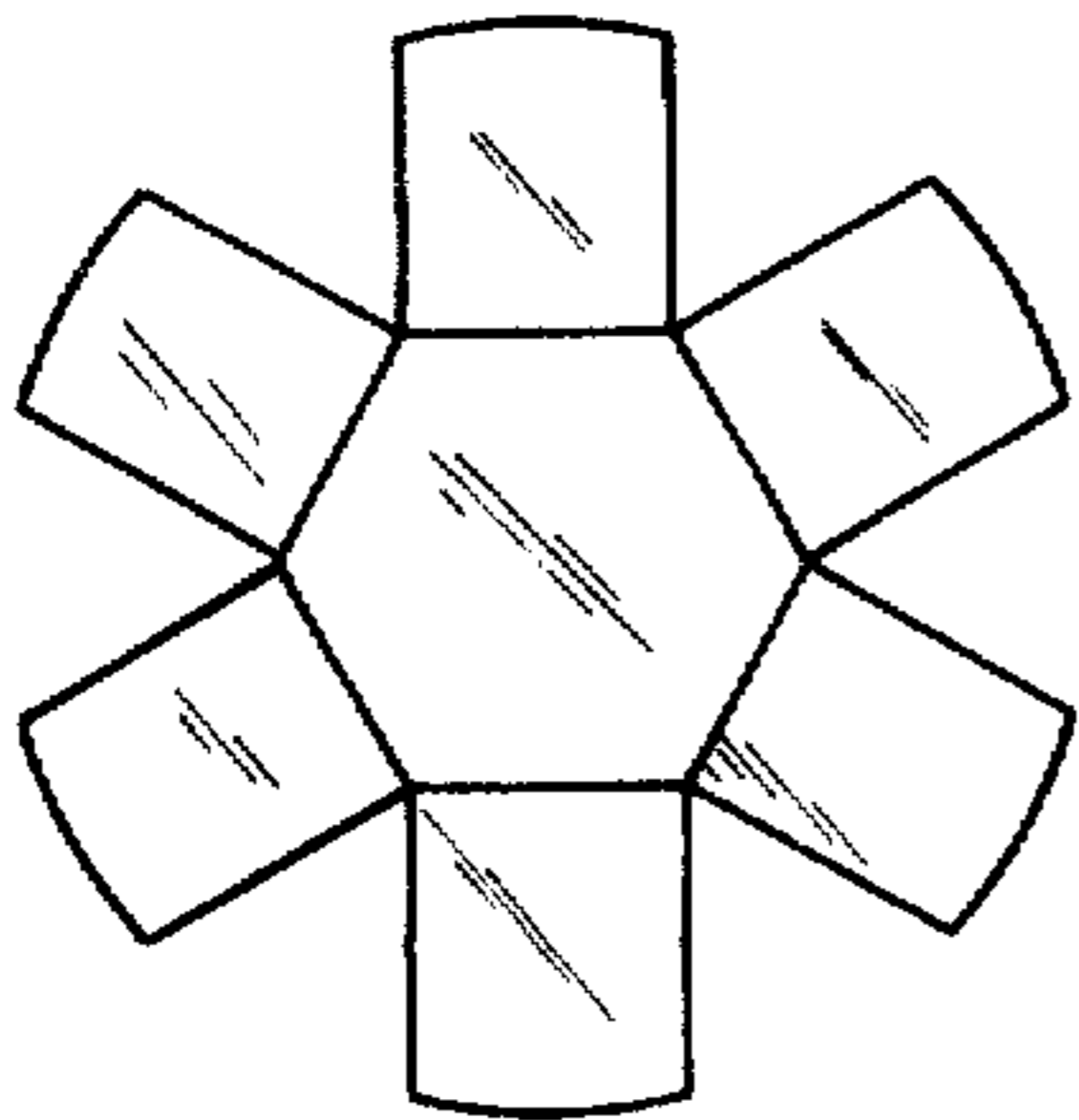


FIG. 3