

- [54] MEASURING RECEPTACLE WITH SLIDABLY REMOVABLE BOTTOM
- [76] Inventor: Shirley J. P. Kelson, 9238 - 35th Ave. S.W., Seattle, Wash. 98126
- [**] Term: 14 Years
- [21] Appl. No.: 232,827
- [22] Filed: Feb. 9, 1981
- [51] Int. Cl. D07—04; D10—04
- [52] U.S. Cl. D7/50
- [58] Field of Search D7/50, 76, 99; 73/426, 73/429

4,154,109 5/1979 Kelson D7/50 X

Primary Examiner—Winifred E. Herrmann
Attorney, Agent, or Firm—John O. Graybeal

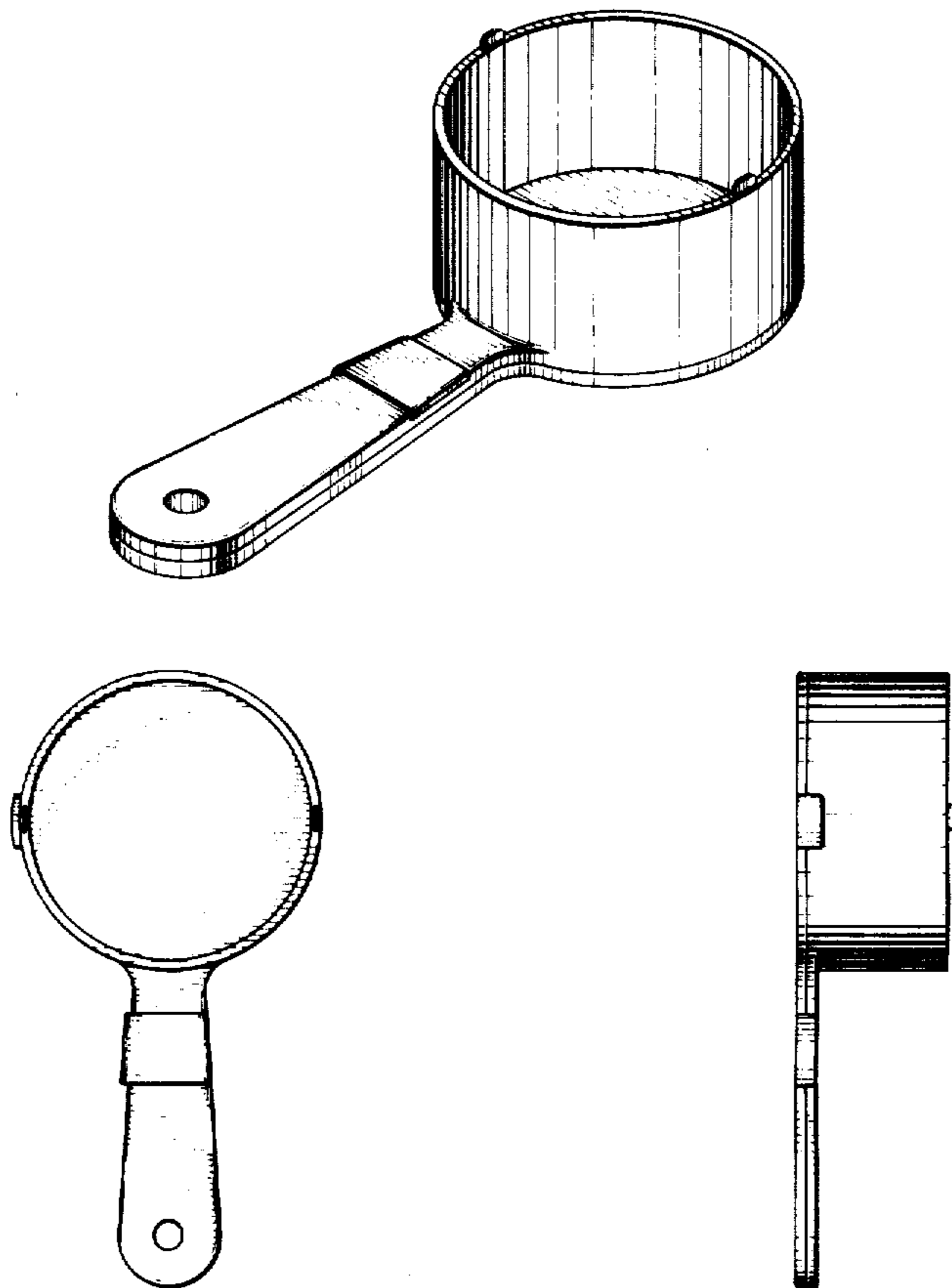
[57] CLAIM

The ornamental design for a measuring receptacle with a slidably removable bottom, substantially as shown and described.

DESCRIPTION

FIG. 1 is a perspective view of a measuring receptacle with slidably removable bottom showing my new design;
 FIG. 2 is a top plan view thereof;
 FIG. 3 is a side elevational view thereof;
 FIG. 4 is a side elevational view thereof taken in the direction opposite to that of FIG. 3;
 FIG. 5 is an end view thereof.
 The bottom face of the removable bottom is planar.

- [56] References Cited
- U.S. PATENT DOCUMENTS
- 772,674 10/1904 Rommer 73/426
- 3,030,812 4/1962 Lutz 73/426



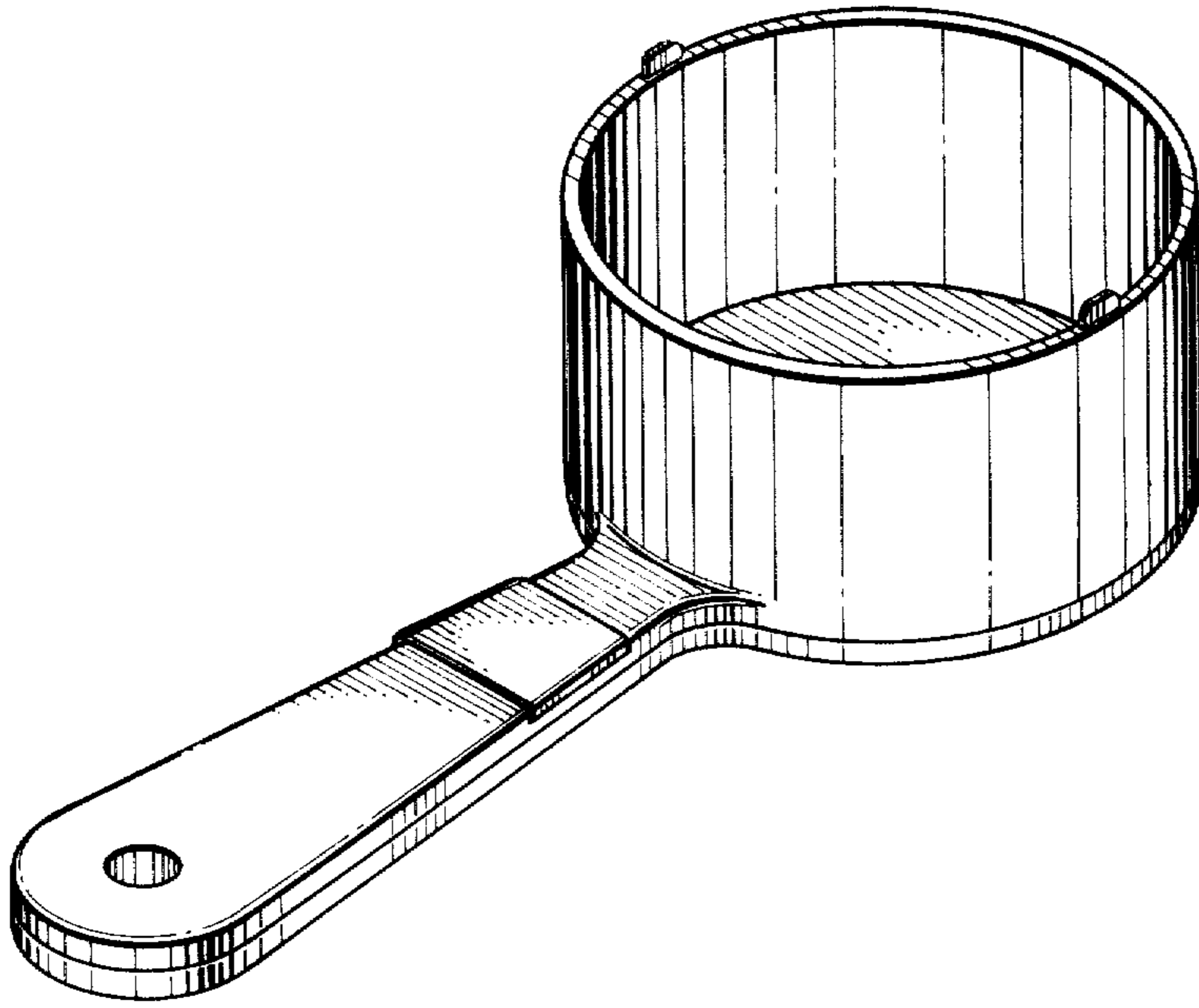


Fig. 1.

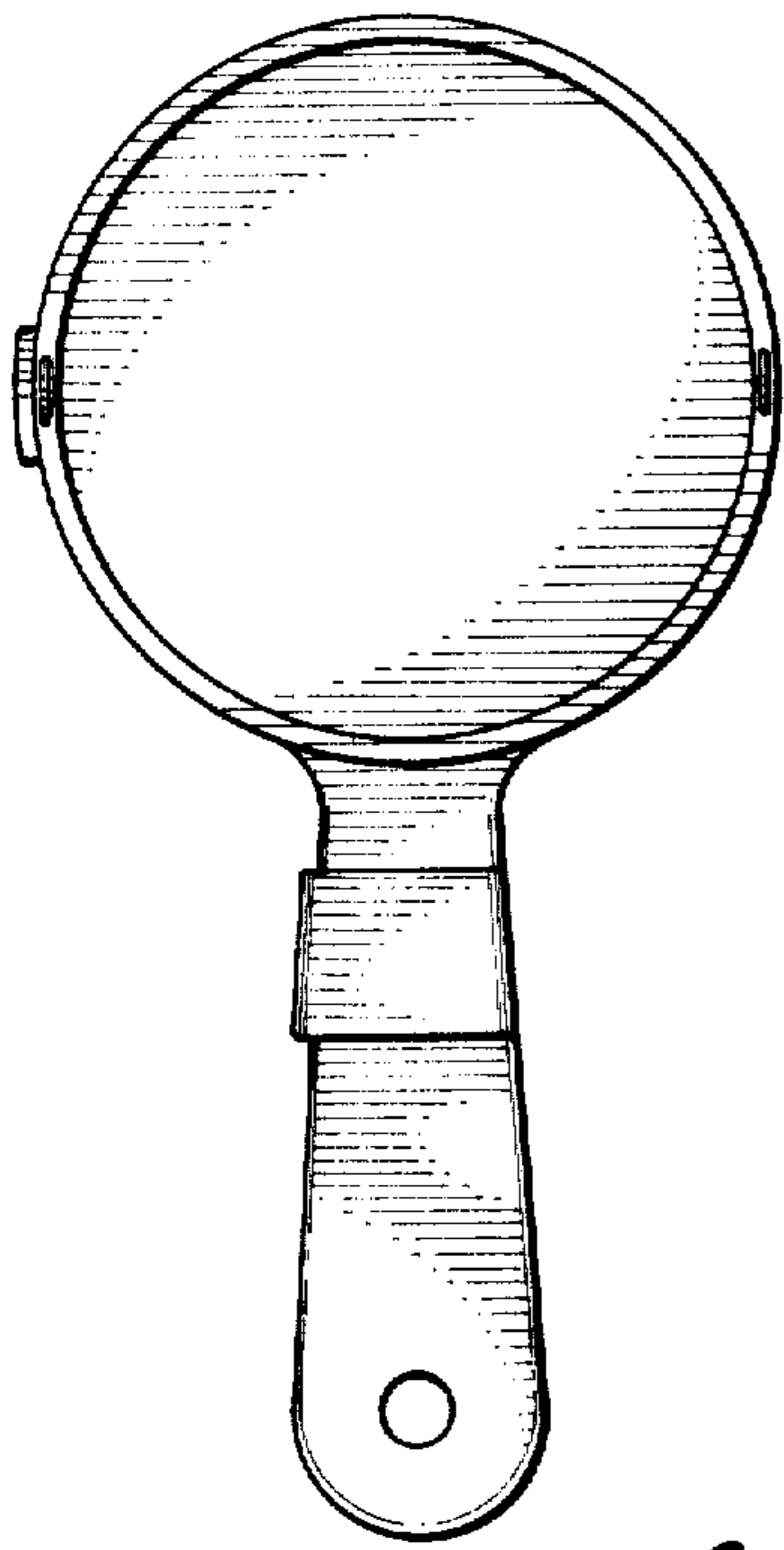


Fig. 2.

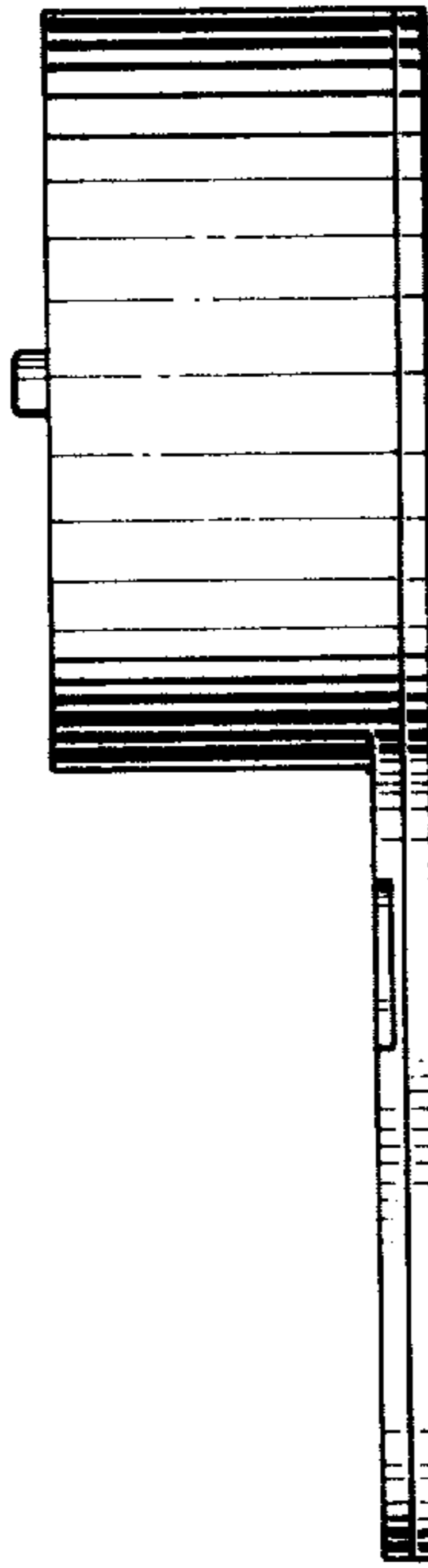


Fig. 3.

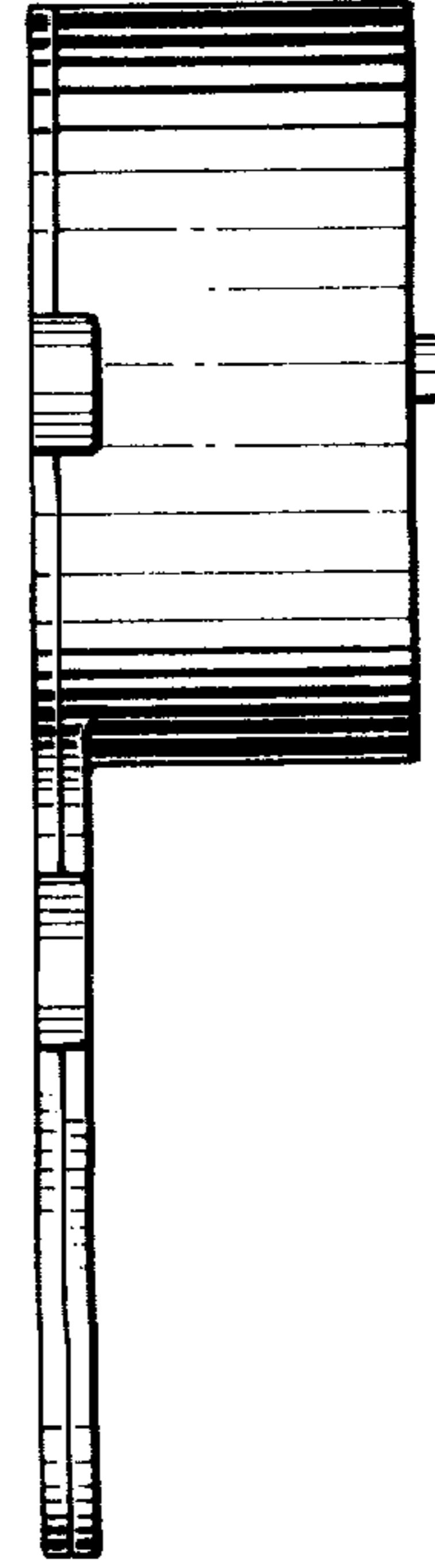


Fig. 4.

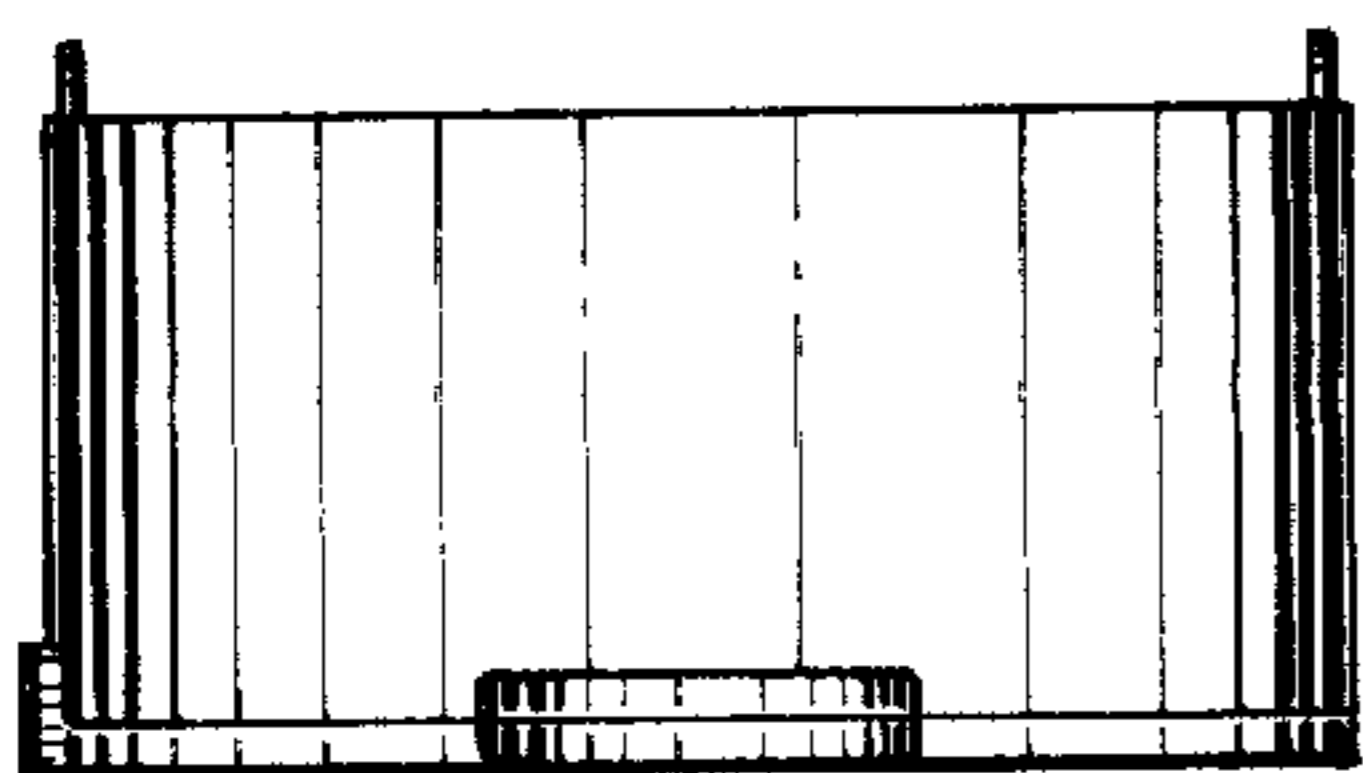


Fig. 5.