

[54] MEASURING RECEPTACLE WITH RIM HELD REMOVABLE BOTTOM

4,154,109 5/1979 Kelson ..... D7/50 X

[76] Inventor: Shirley J. P. Kelson, 9238 35th Ave. SW., Seattle, Wash. 98126

FOREIGN PATENT DOCUMENTS

711639 10/1941 Fed. Rep. of Germany .... D7/50 X

[\*\*] Term: 14 Years

Primary Examiner—Winifred E. Herrmann  
Attorney, Agent, or Firm—John O. Graybeal

[21] Appl. No.: 232,826

[57] CLAIM

[22] Filed: Feb. 9, 1981

The ornamental design for a measuring receptacle with rim held removable bottom, substantially as shown and described.

[51] Int. Cl. .... D07—04; D10—04

[52] U.S. Cl. .... D7/50

[58] Field of Search ..... 73/426, 429; D7/50, D7/76, 99

DESCRIPTION

[56] References Cited

U.S. PATENT DOCUMENTS

93,231	8/1869	Rosbeck	.....	73/429
D. 259,462	6/1981	Daenen et al.	.....	D7/50
772,674	10/1904	Rommer	.....	73/426
897,458	9/1908	Dickeson	.....	73/429
2,080,210	5/1937	Mafra	.....	73/426

FIG. 1 is a perspective view of a measuring receptacle with rim held removable bottom showing my new design;

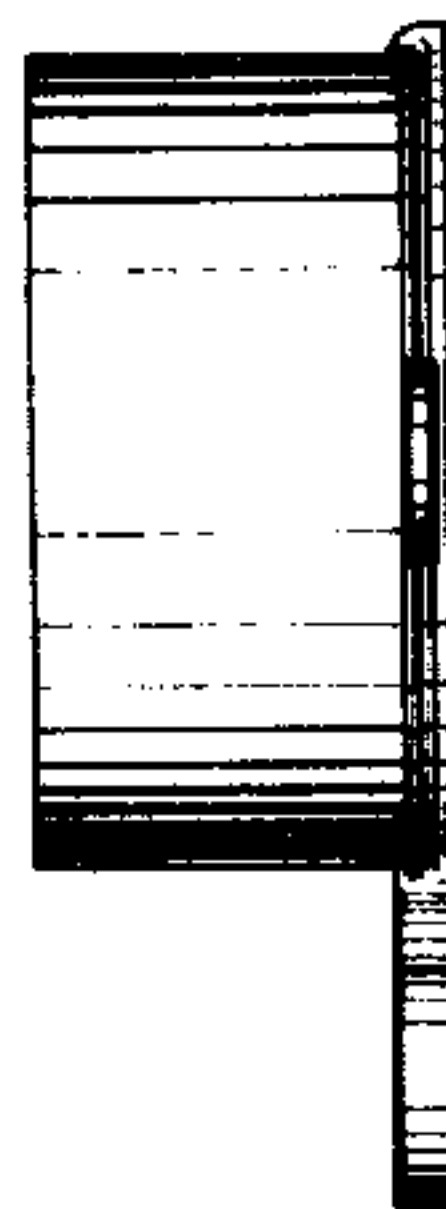
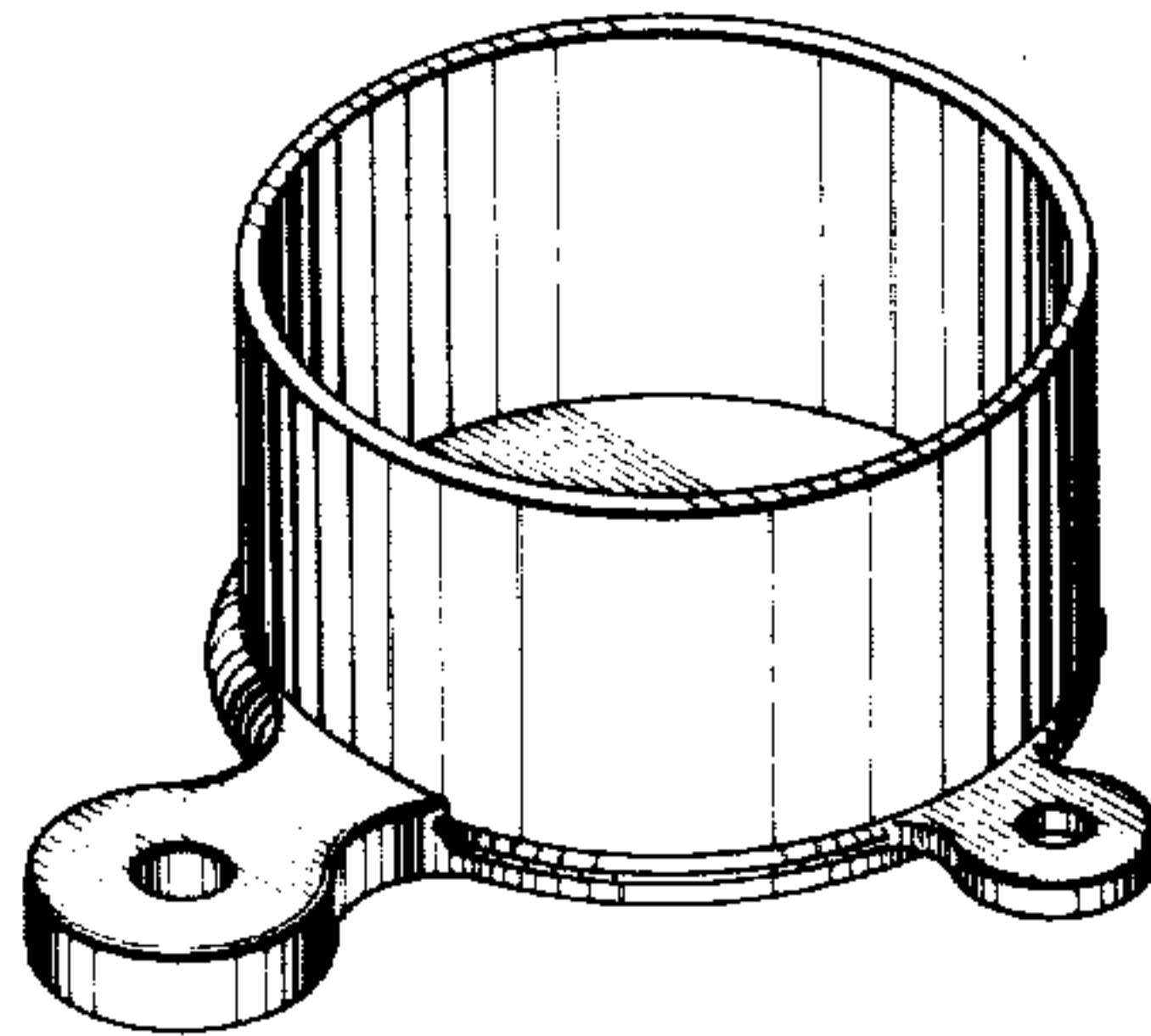
FIG. 2 is a top plan view thereof;

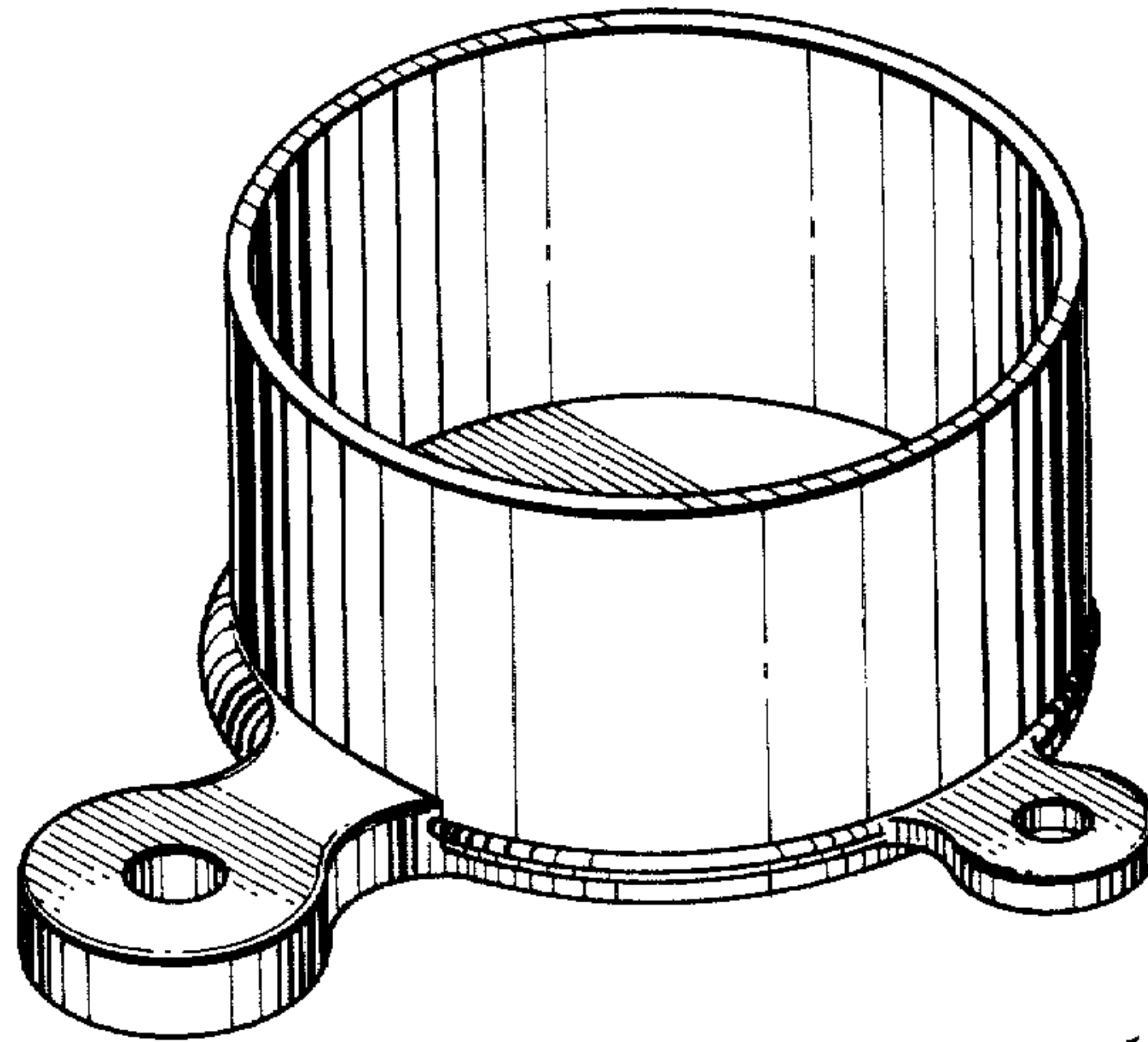
FIG. 3 is a side elevational view thereof;

FIG. 4 is a side elevational view thereof taken in the direction opposite to that of FIG. 3;

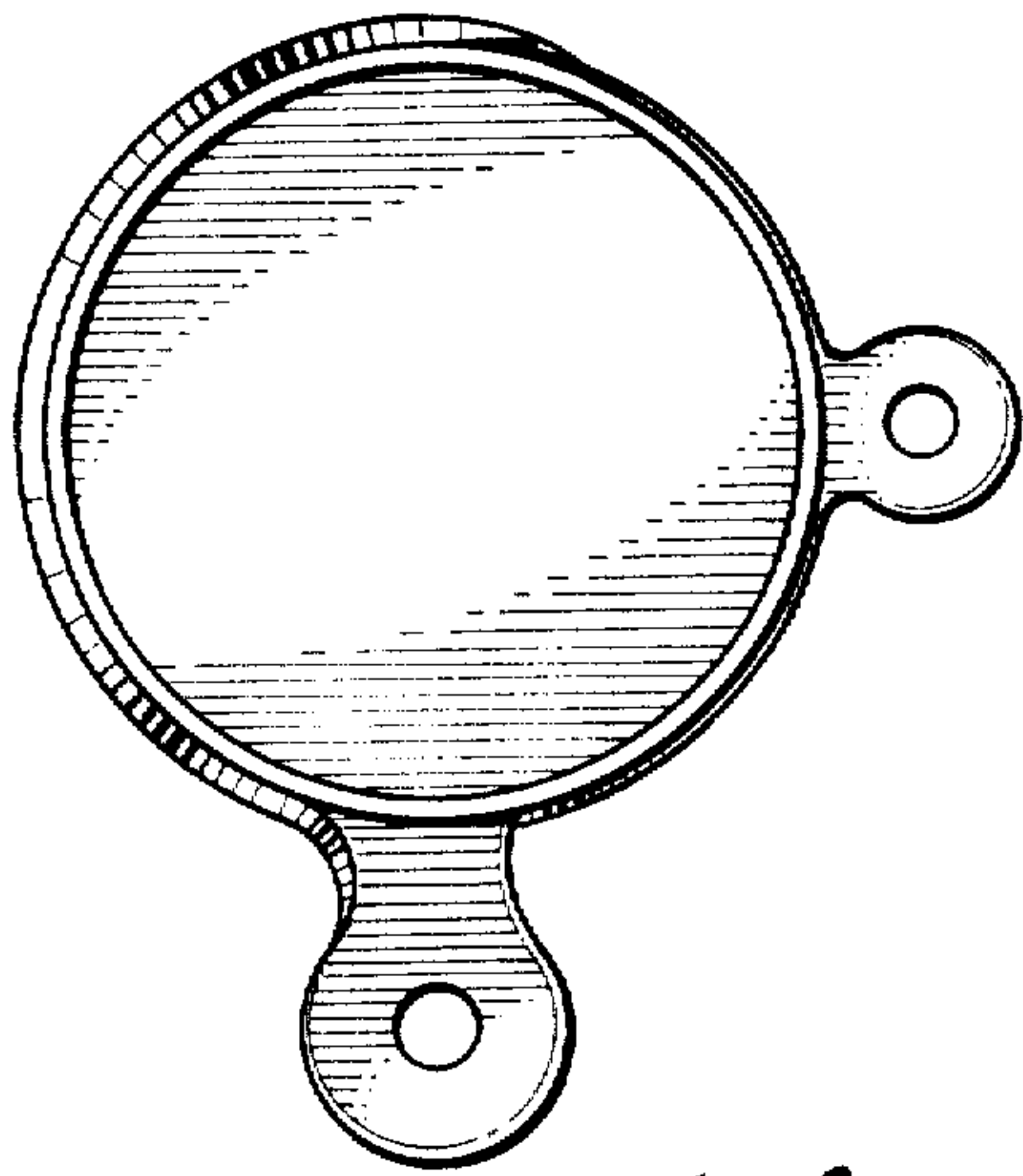
FIG. 5 is an end elevational view thereof.

The bottom face of the removable bottom is planar.

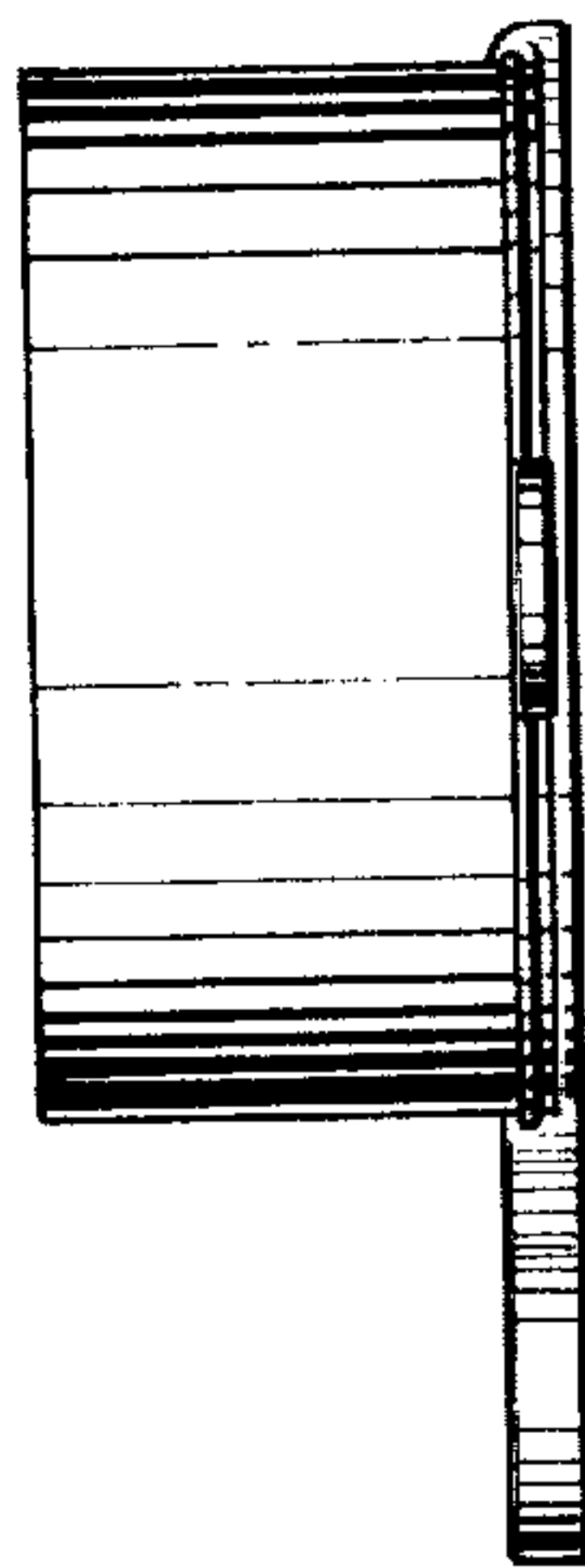




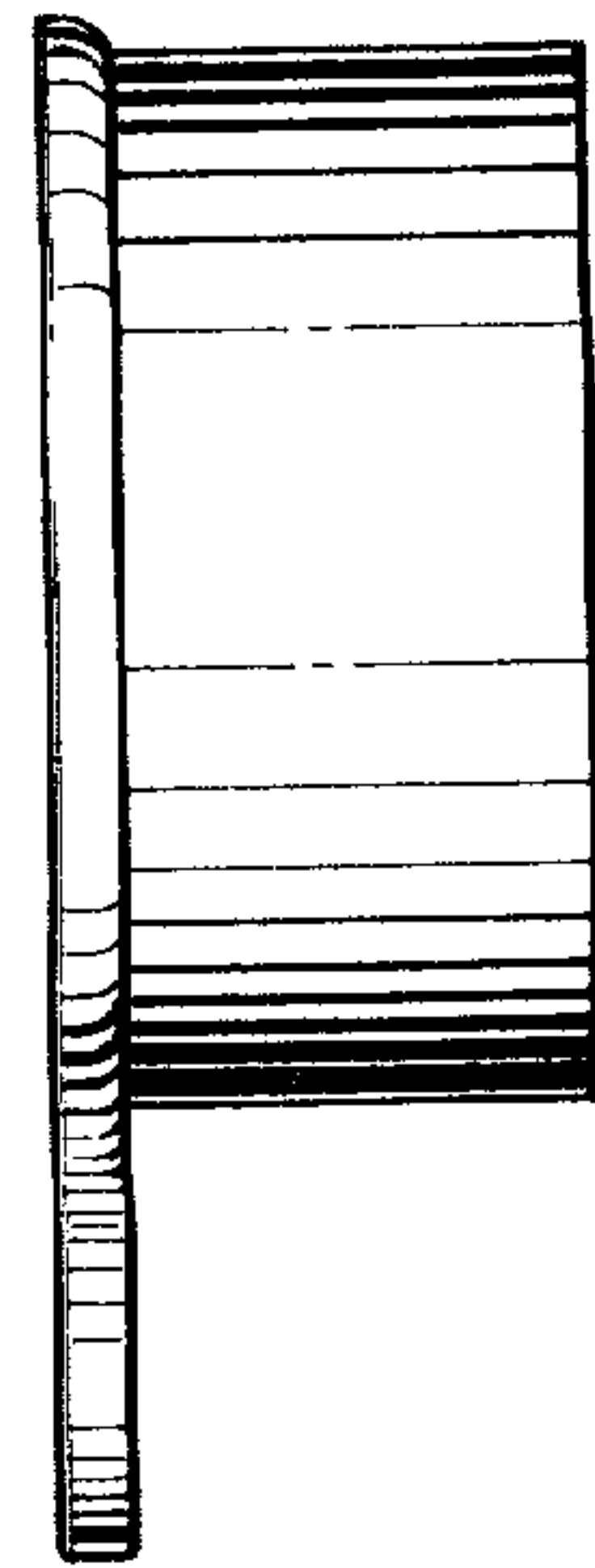
*Fig. 1.*



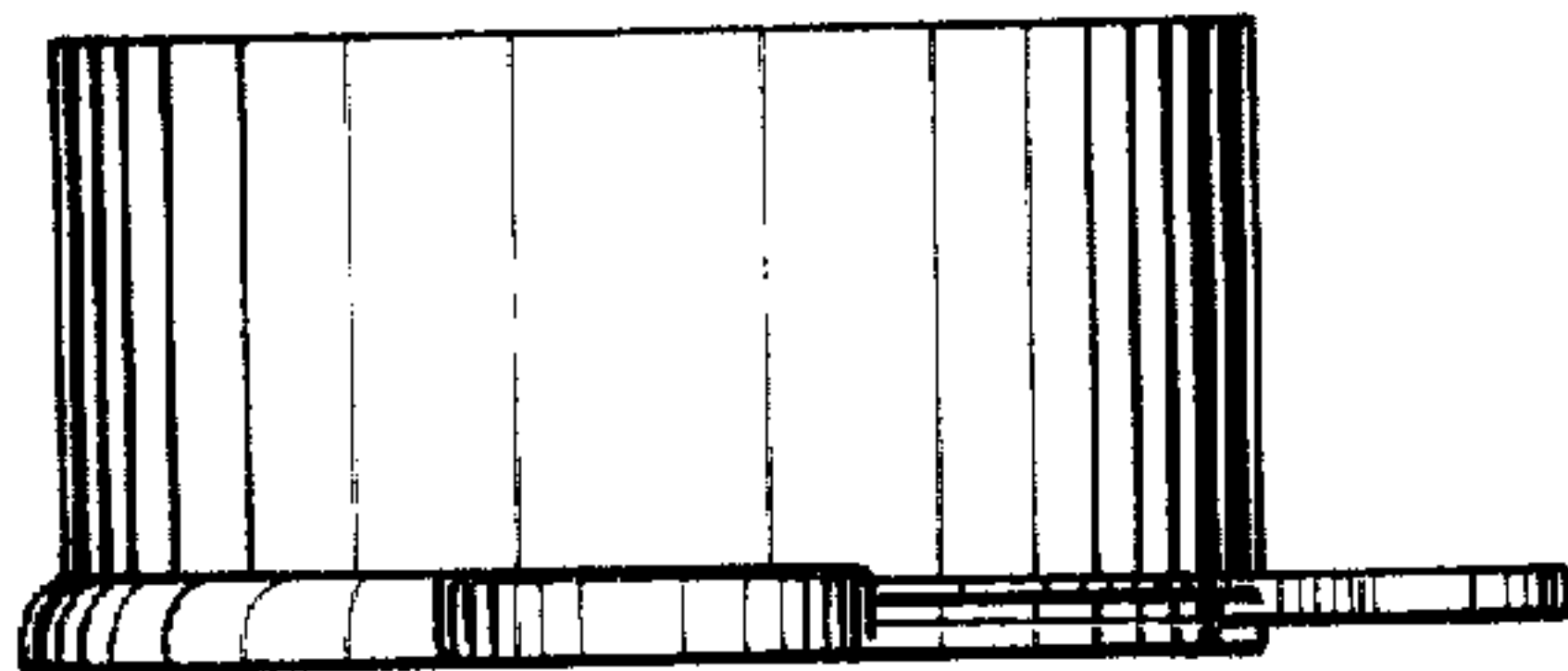
*Fig. 2.*



*Fig. 3.*



*Fig. 4.*



*Fig. 5.*