

[54] **TABLE OR SIMILAR ARTICLE**

[75] **Inventor:** Warren Platner, Guilford, Conn.

[73] **Assignee:** Litton Business Systems, Inc.,  
Burlington, Iowa

[\*\*] **Term:** 14 Years

[21] **Appl. No.:** 223,711

[22] **Filed:** Jan. 9, 1981

**Related U.S. Application Data**

[62] Division of Ser. No. 914,285, Jun. 9, 1978.

[51] **Int. Cl.** ..... D6-03  
[52] **U.S. Cl.** ..... D6/179  
[58] **Field of Search** ..... D6/161-179,  
D6/146-149

**References Cited**

**U.S. PATENT DOCUMENTS**

D. 216,597 2/1970 Wallach ..... D6/161  
D. 240,186 6/1976 Rosen ..... D6/177  
D. 240,582 7/1976 Friedman ..... D6/177  
D. 243,983 4/1977 Carter ..... D6/177  
D. 252,431 7/1979 Pfister ..... D6/177

**OTHER PUBLICATIONS**

Intrex Furn. Cat., 7-1977, p. 12, table Nos. 92028 and 92022.

Interiors, 7-1973, p. 26, table upper right.

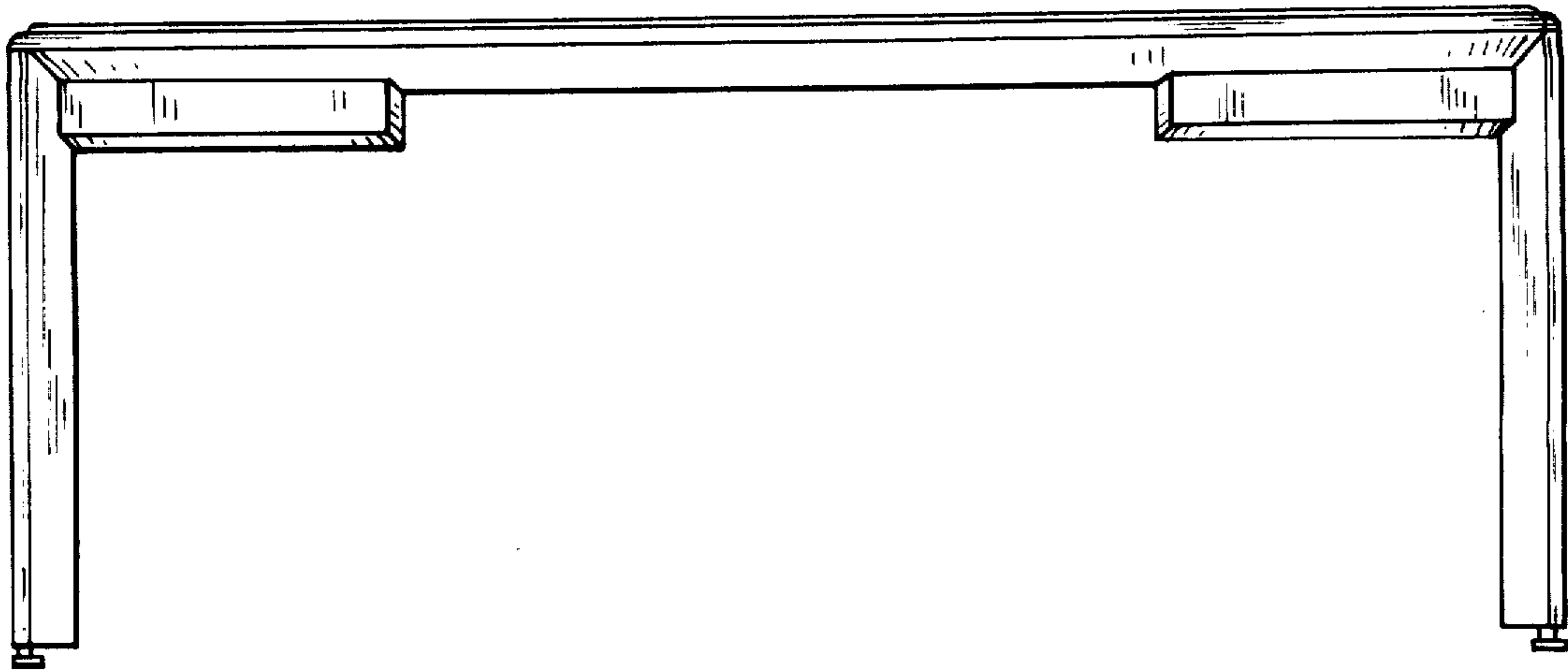
*Primary Examiner*—Bruce W. Dunkins  
*Attorney, Agent, or Firm*—Michael H. Wallach; Robert F. Rotella

[57] **CLAIM**

The ornamental design for a table or similar article, as shown and described.

**DESCRIPTION**

FIG. 1 is a front elevational view of a first embodiment of the invention, the article shown being a table or similar article;  
FIG. 2 is a top plan view thereof;  
FIG. 3 is a rear elevation thereof;  
FIG. 4 is a right side elevation thereof;  
FIG. 5 is a bottom plan view thereof;  
FIG. 6 is an enlarged, detail, sectional view taken on line 6-6 of FIG. 4;  
FIG. 7 is a front elevation view of a second embodiment of the invention, the article shown being a table or similar article;  
FIG. 8 is a top plan view thereof;  
FIG. 9 is a right side elevation thereof;  
FIG. 10 is a bottom plan view thereof;  
FIG. 11 is an enlarged, detail, sectional view taken on line 11-11 of FIG. 7;  
FIG. 12 is a right side elevation view of a third embodiment of the invention, the article shown being a table or similar article;  
FIG. 13 is a top plan view thereof;  
FIG. 14 is a bottom plan view thereof;  
FIG. 15 is an enlarged, detail, sectional view taken on line 15-15 of FIG. 12;  
FIG. 16 is a right side elevation view of a fourth embodiment of the invention, the article shown being a table or similar article;  
FIG. 17 is a top plan view thereof;  
FIG. 18 is a bottom plan view thereof; and  
FIG. 19 is an enlarged, detail, sectional view taken on line 19-19 of FIG. 16.  
In the embodiment of FIGS. 16-19, all the sides are identical in appearance.



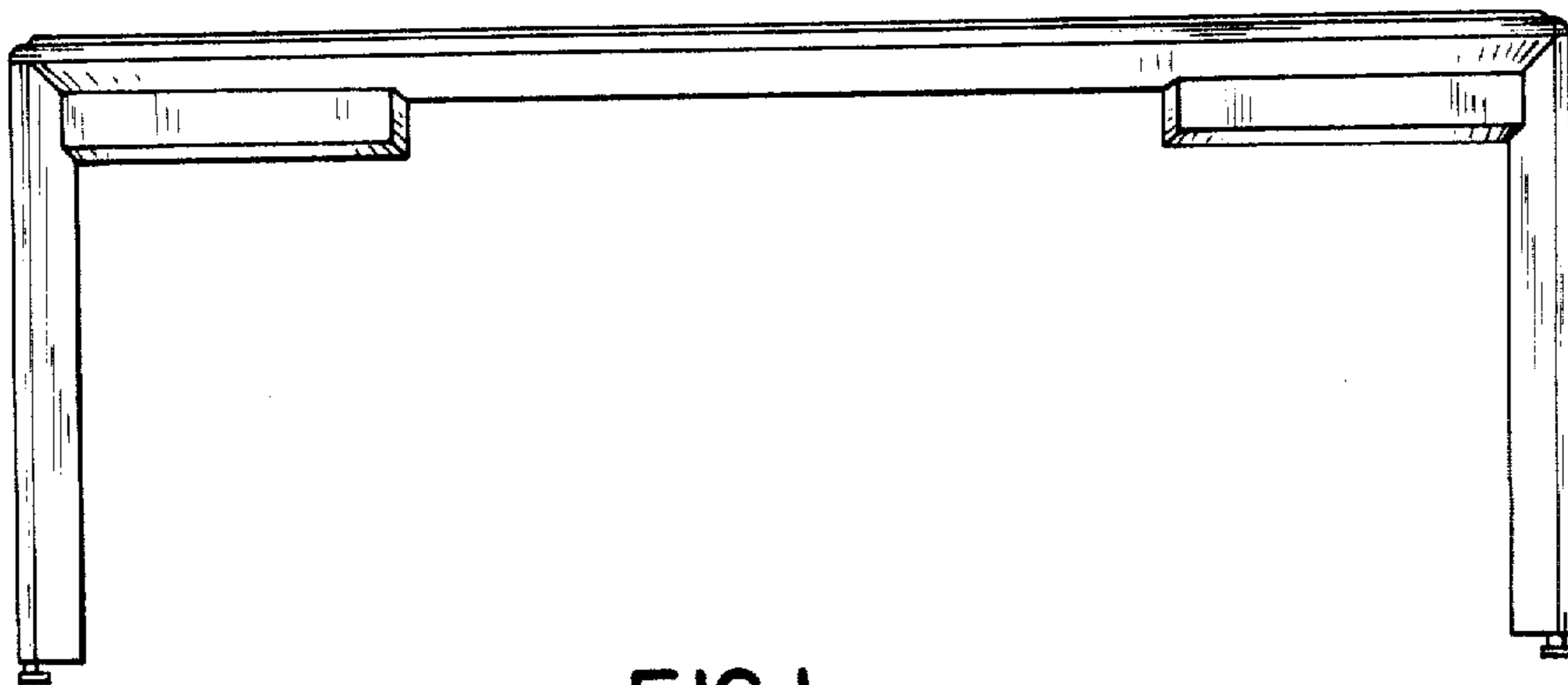


FIG. 1

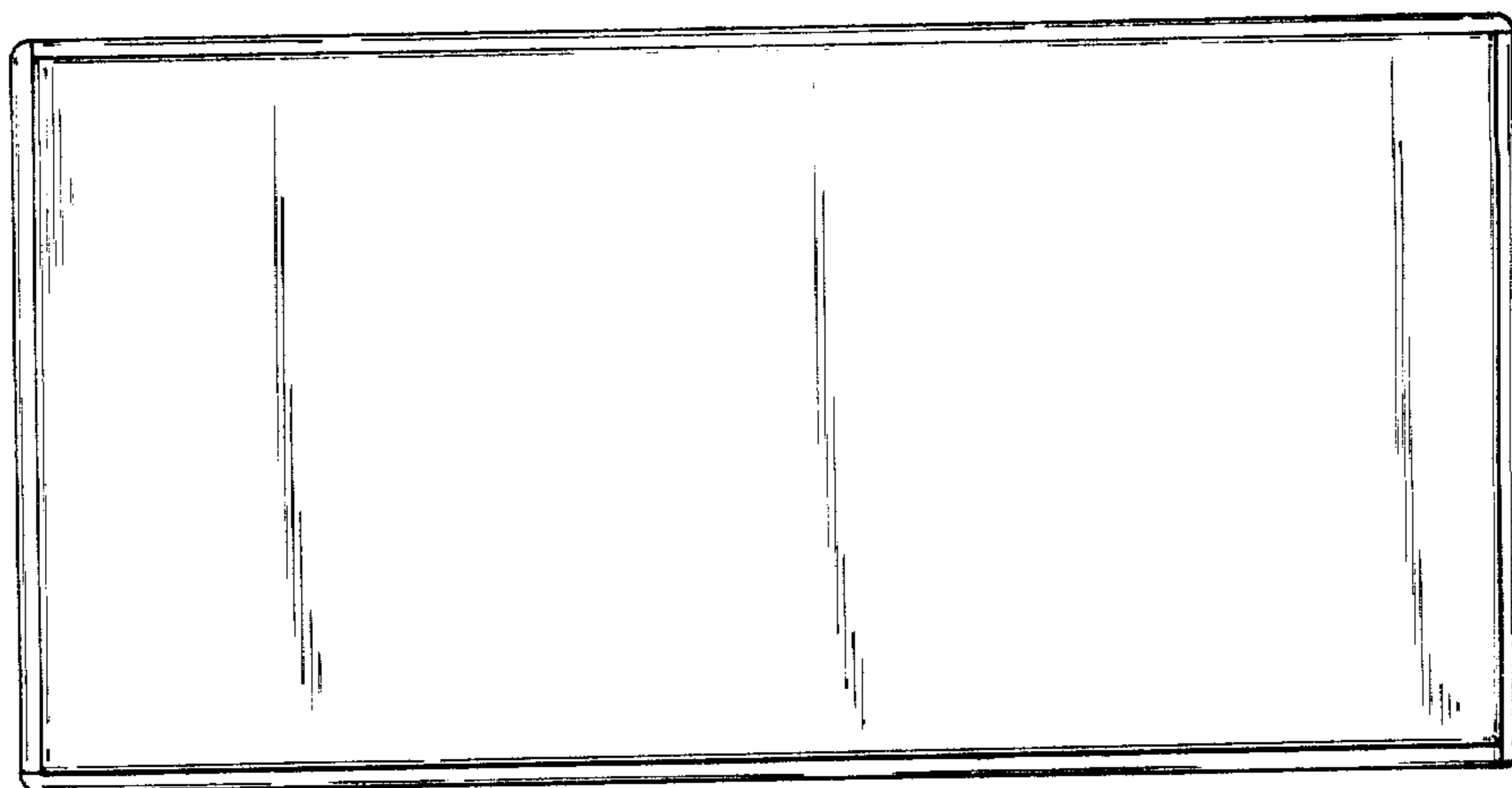


FIG. 2

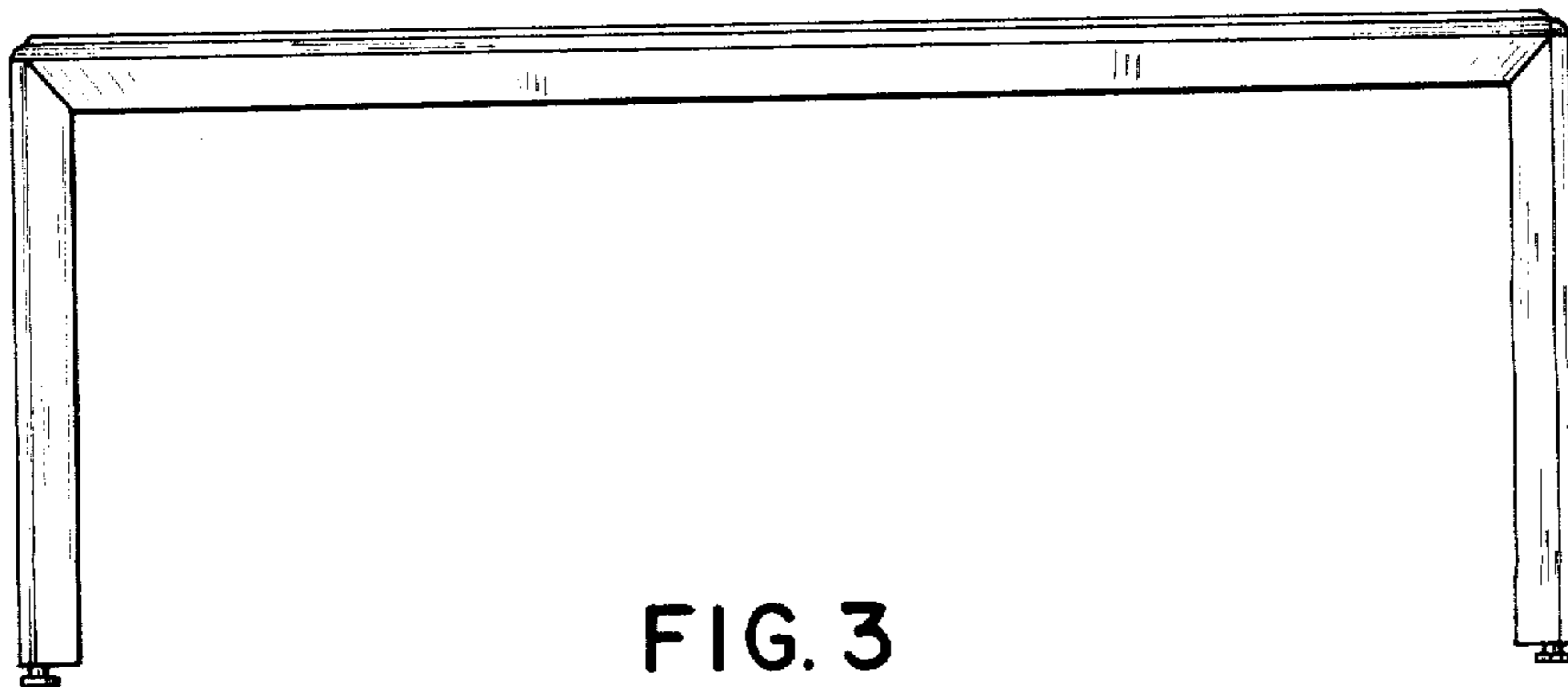


FIG. 3

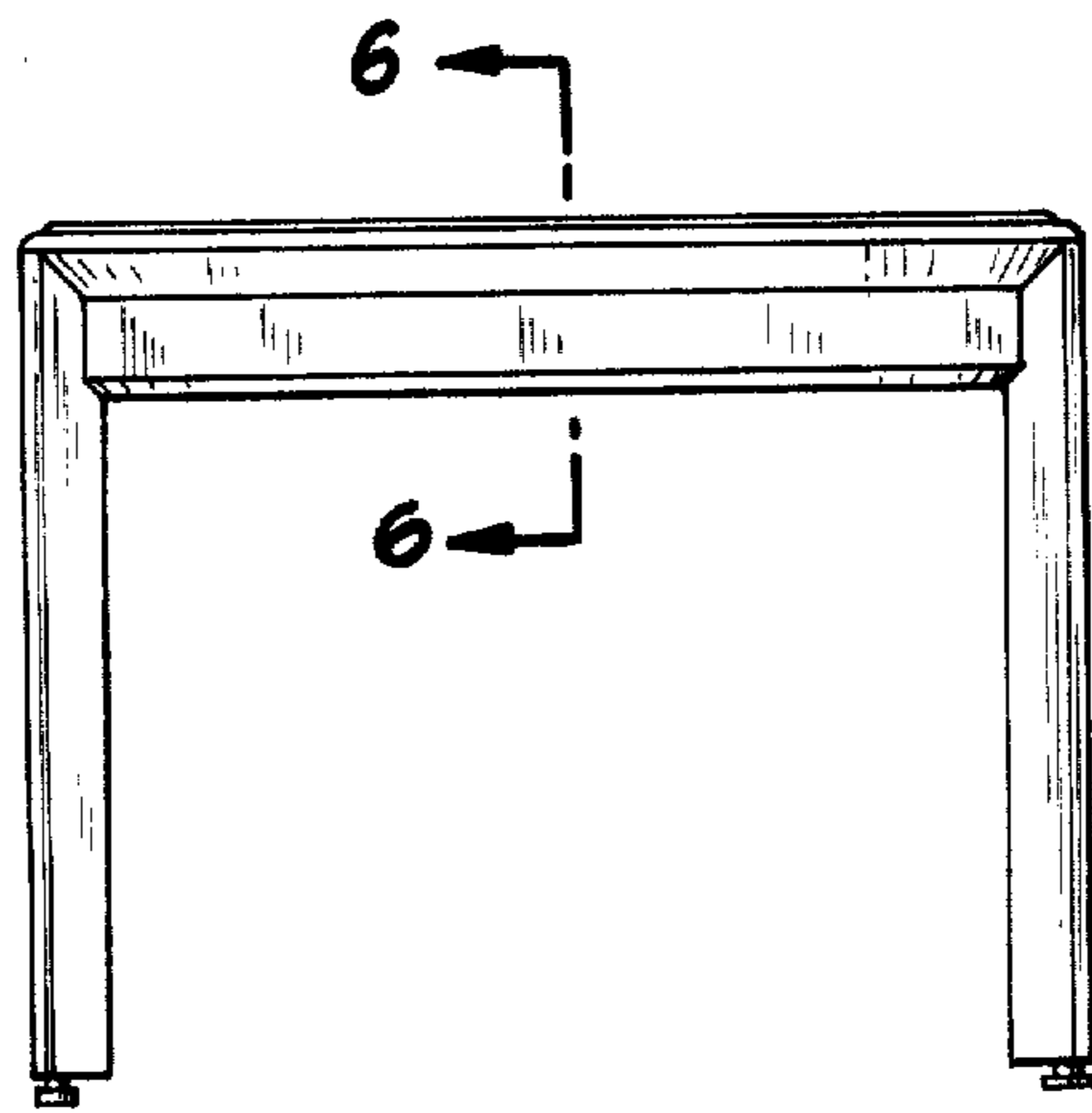


FIG. 4

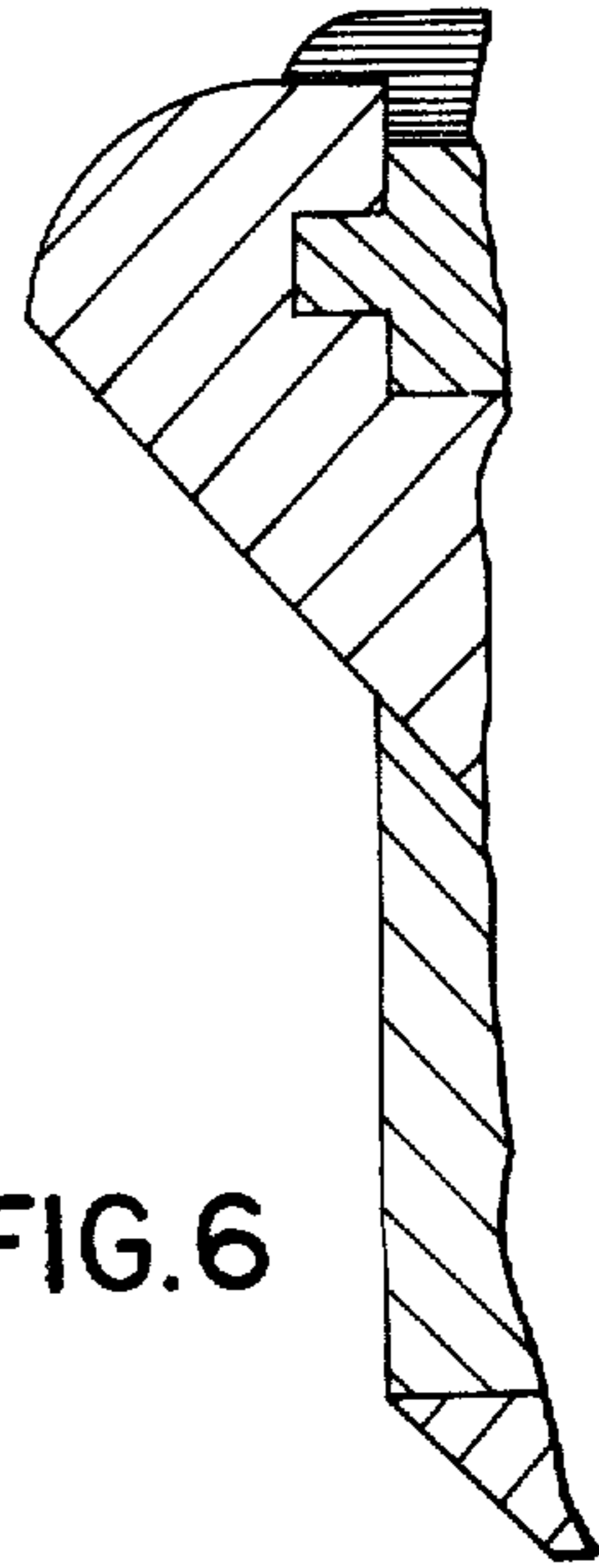


FIG. 6

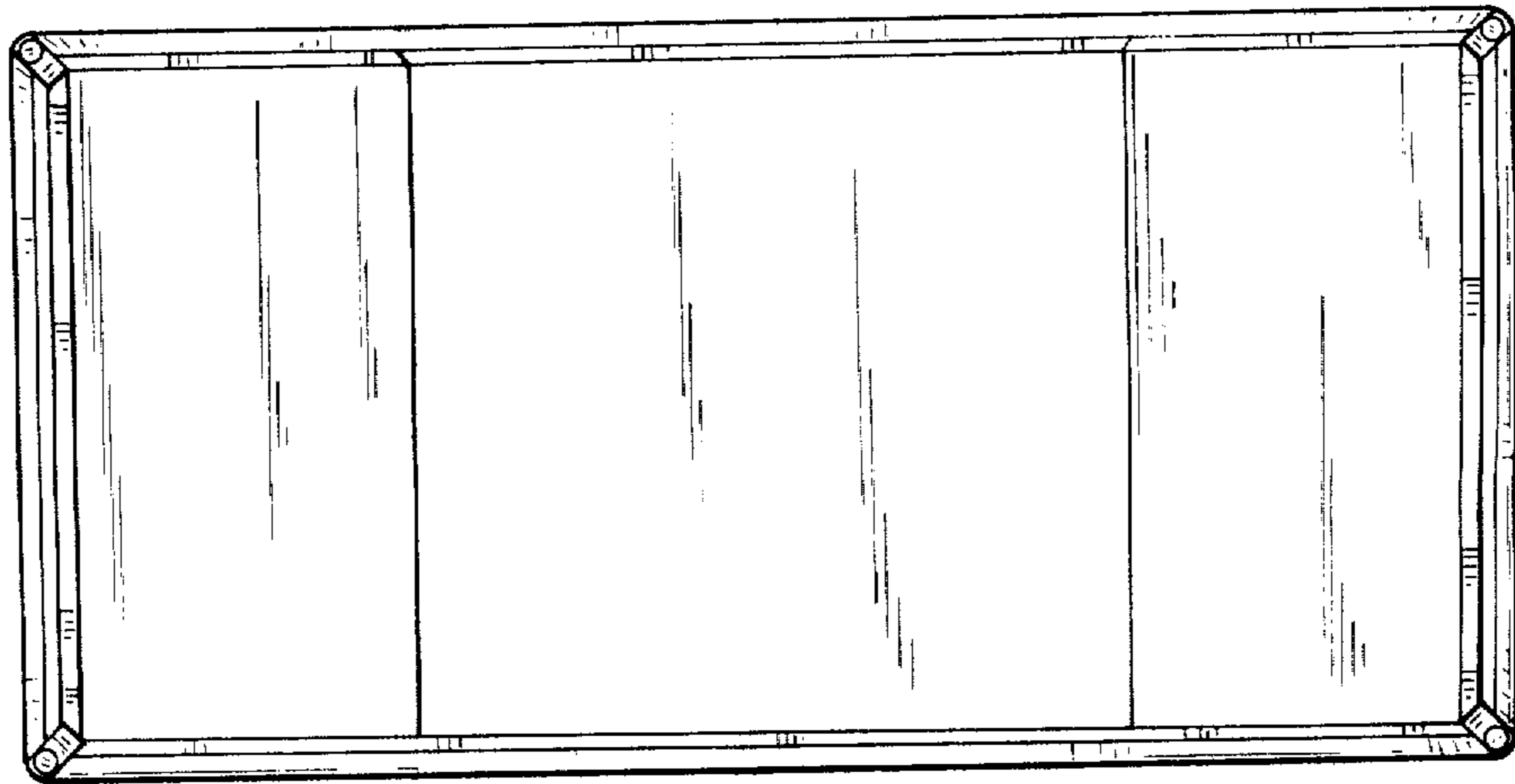


FIG. 5

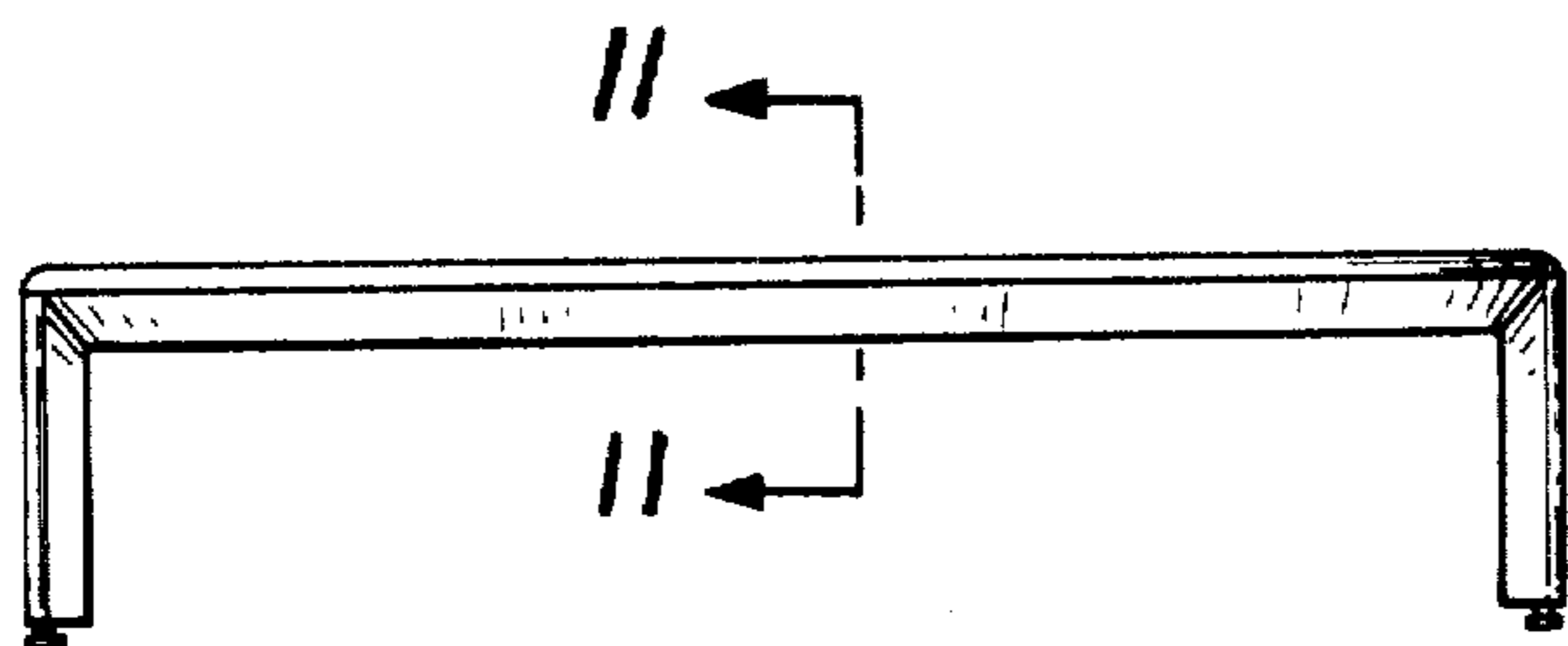


FIG. 7

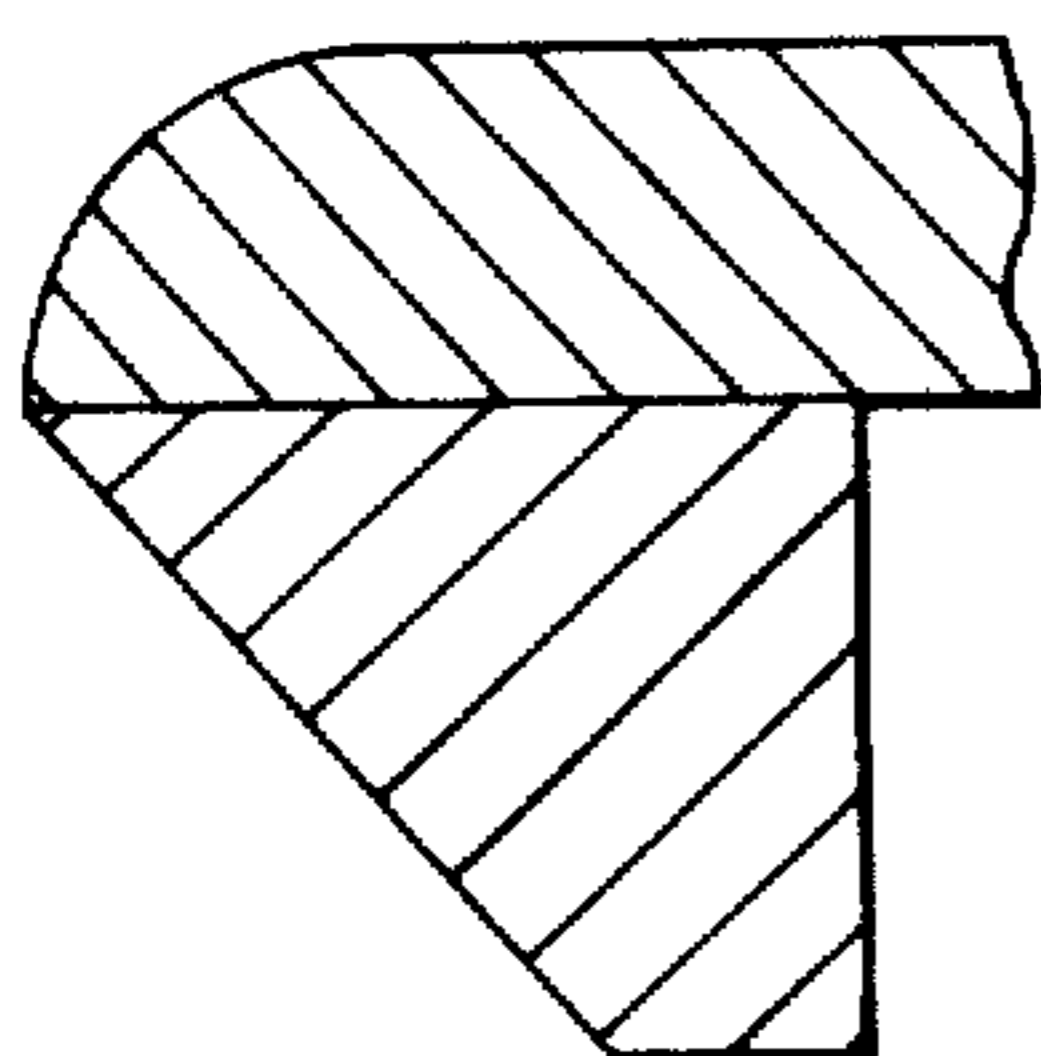


FIG. 11

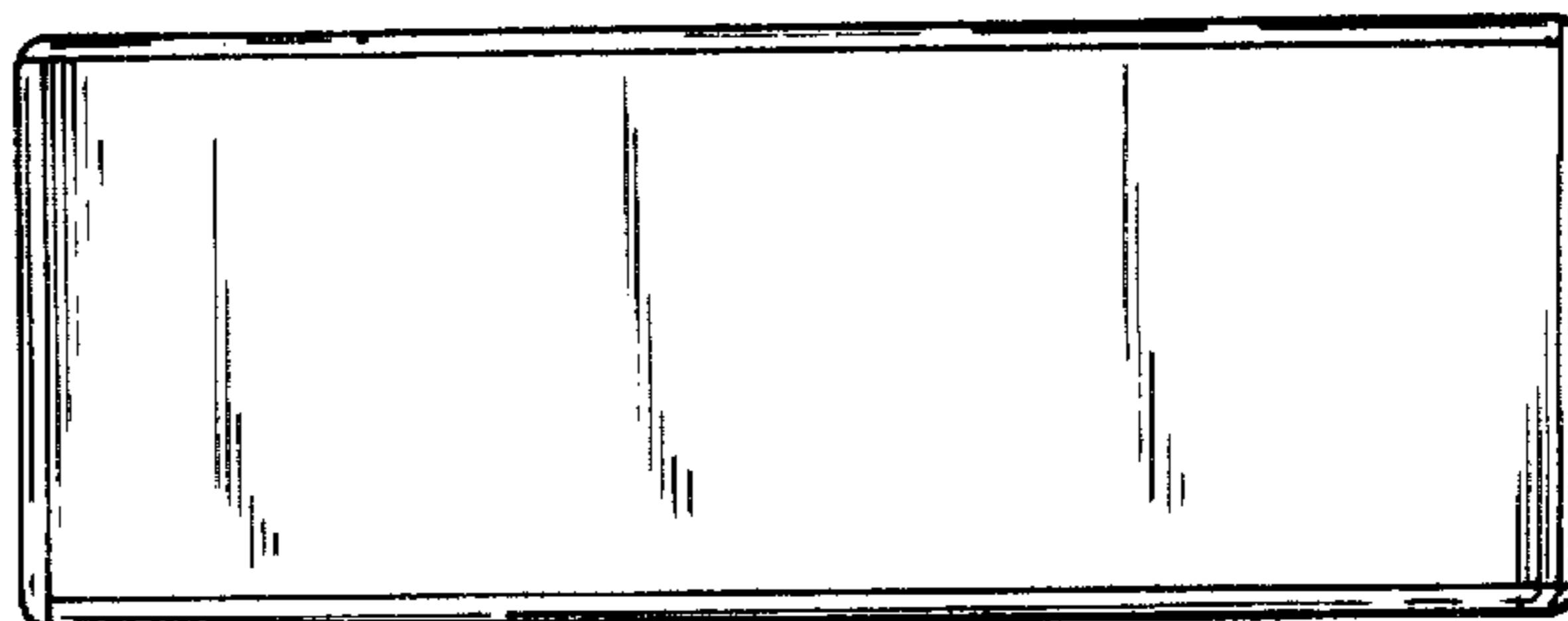


FIG. 8

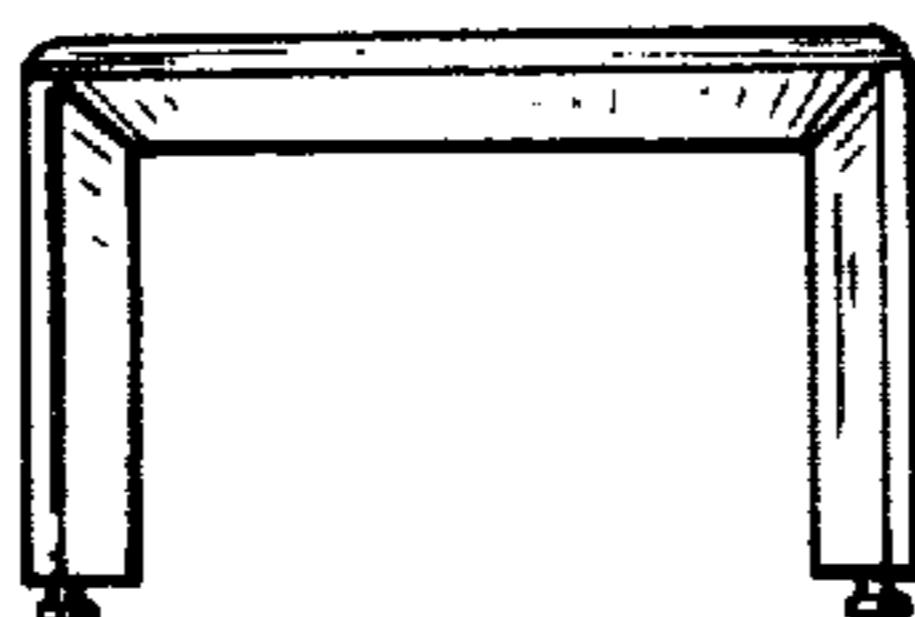


FIG. 9

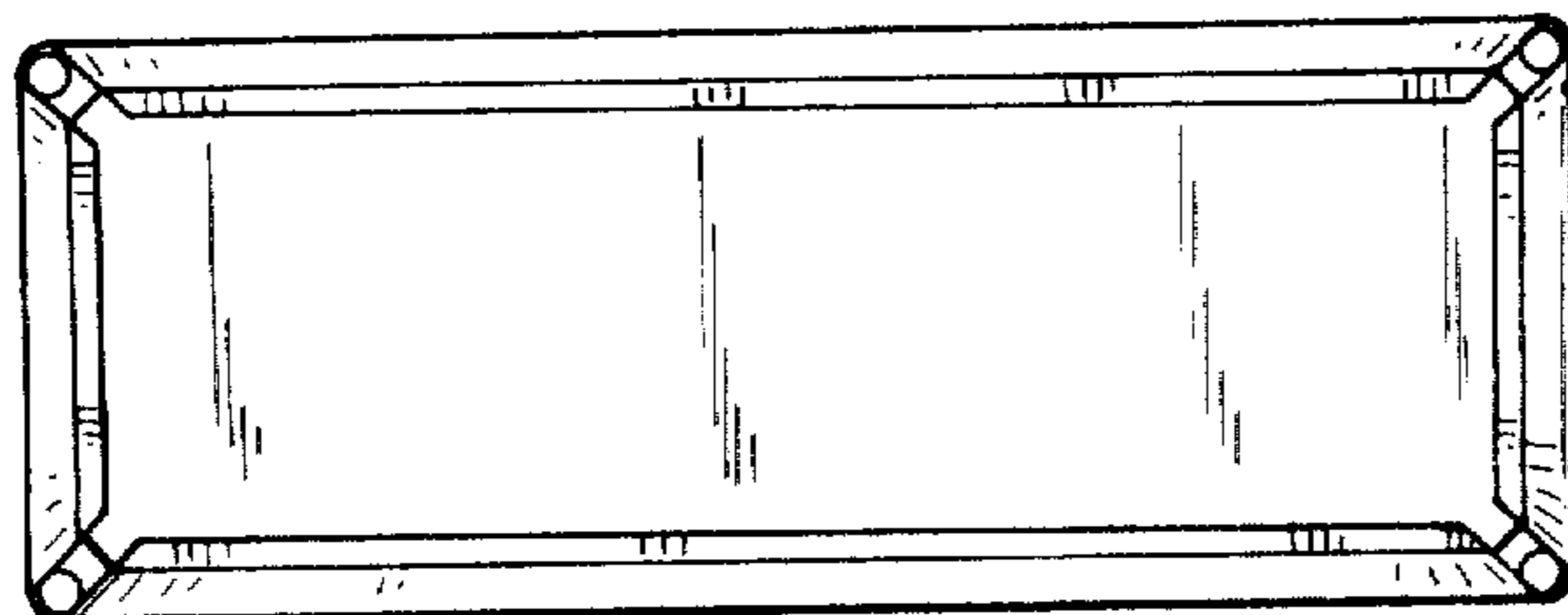


FIG. 10

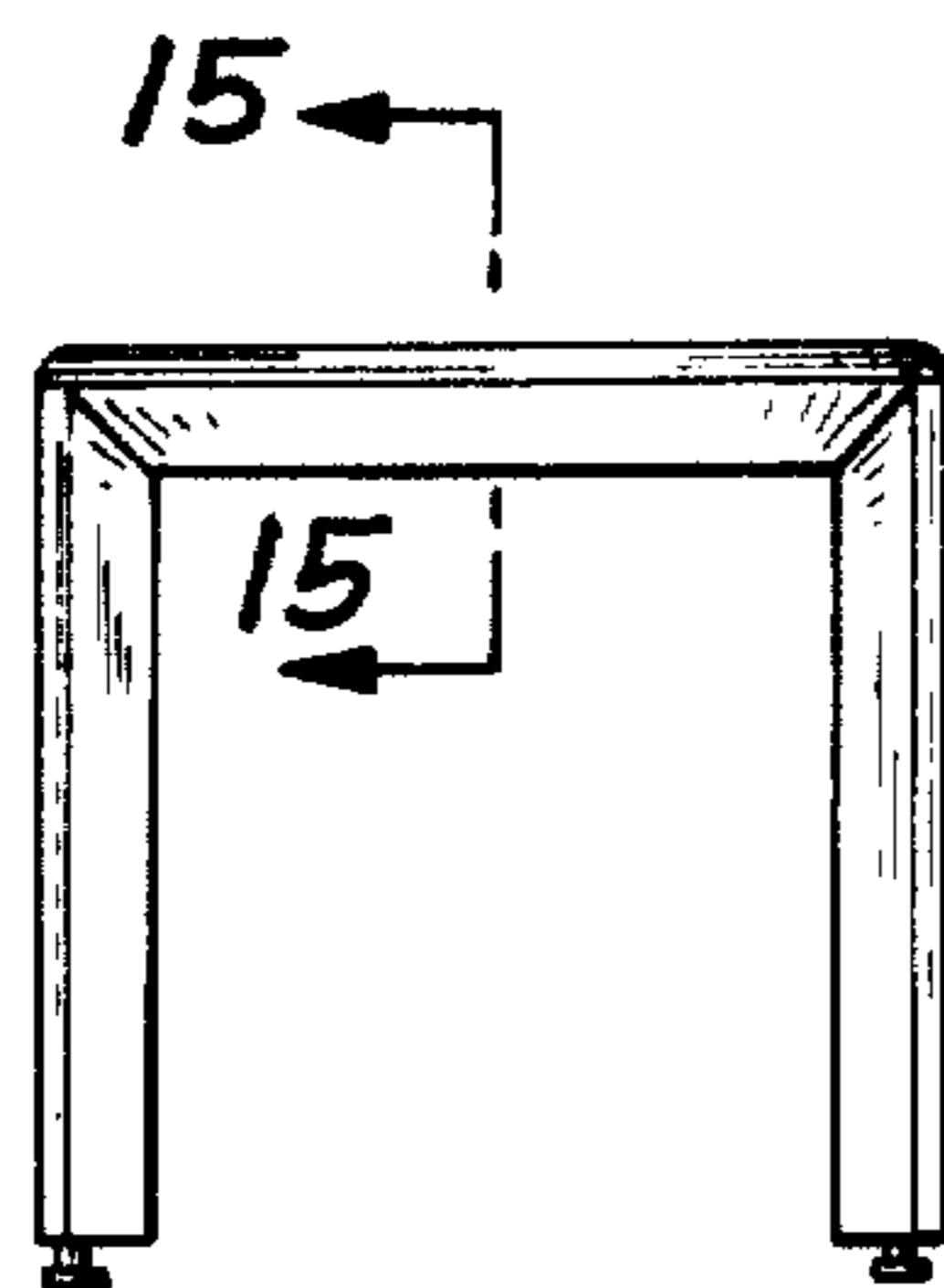


FIG.12

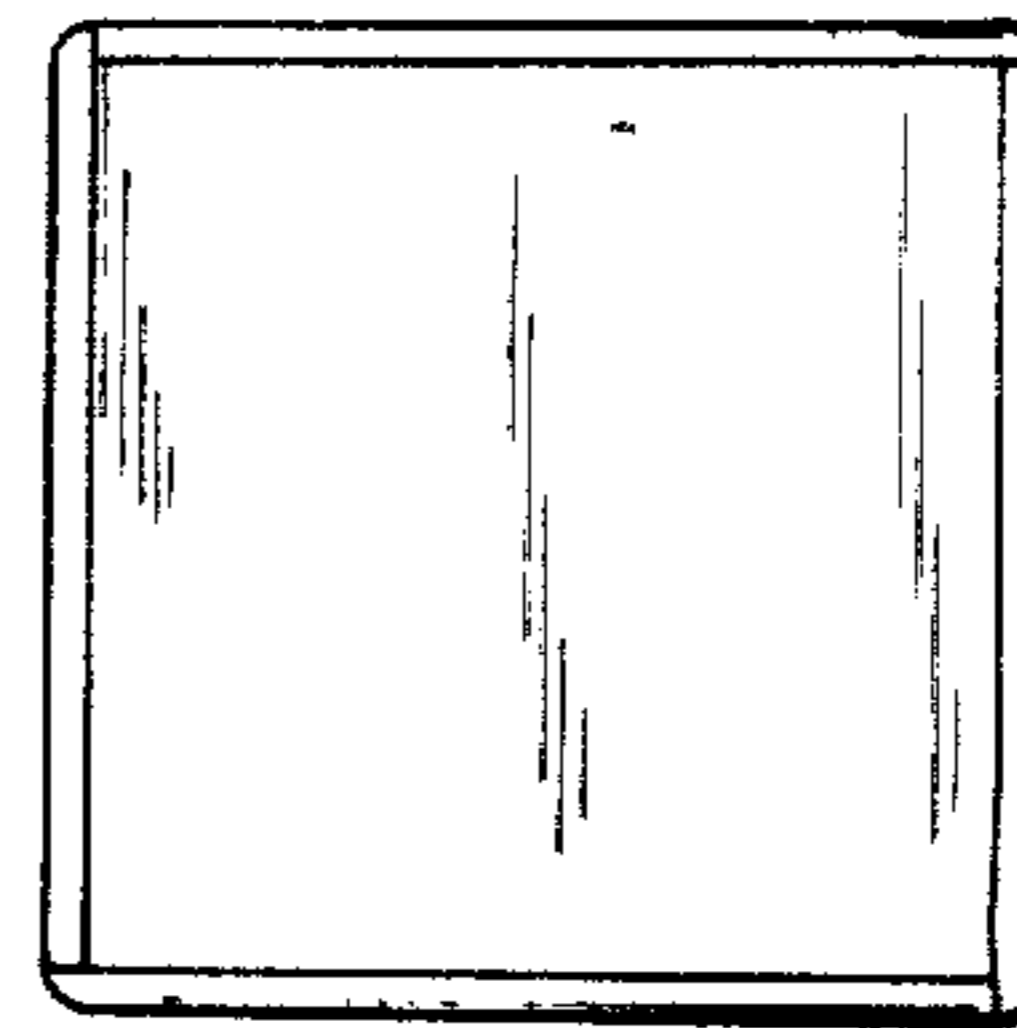


FIG.13

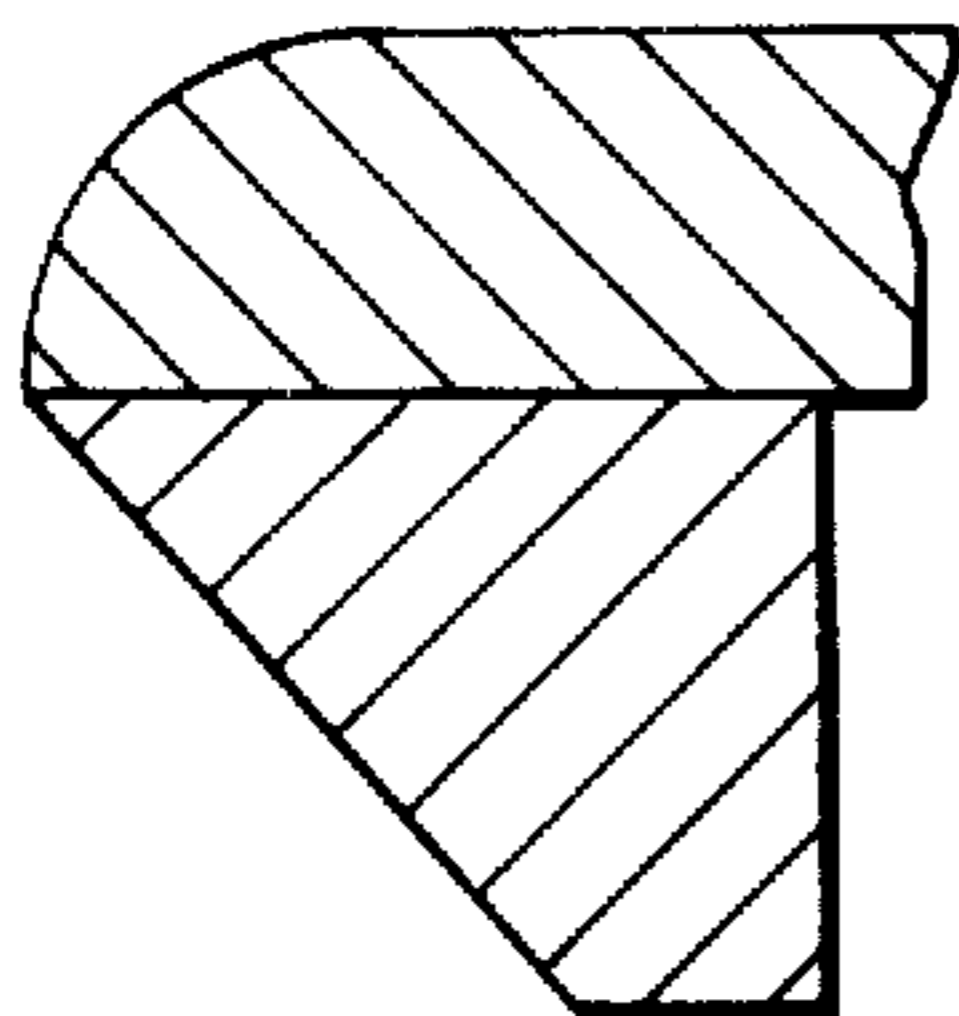


FIG.15

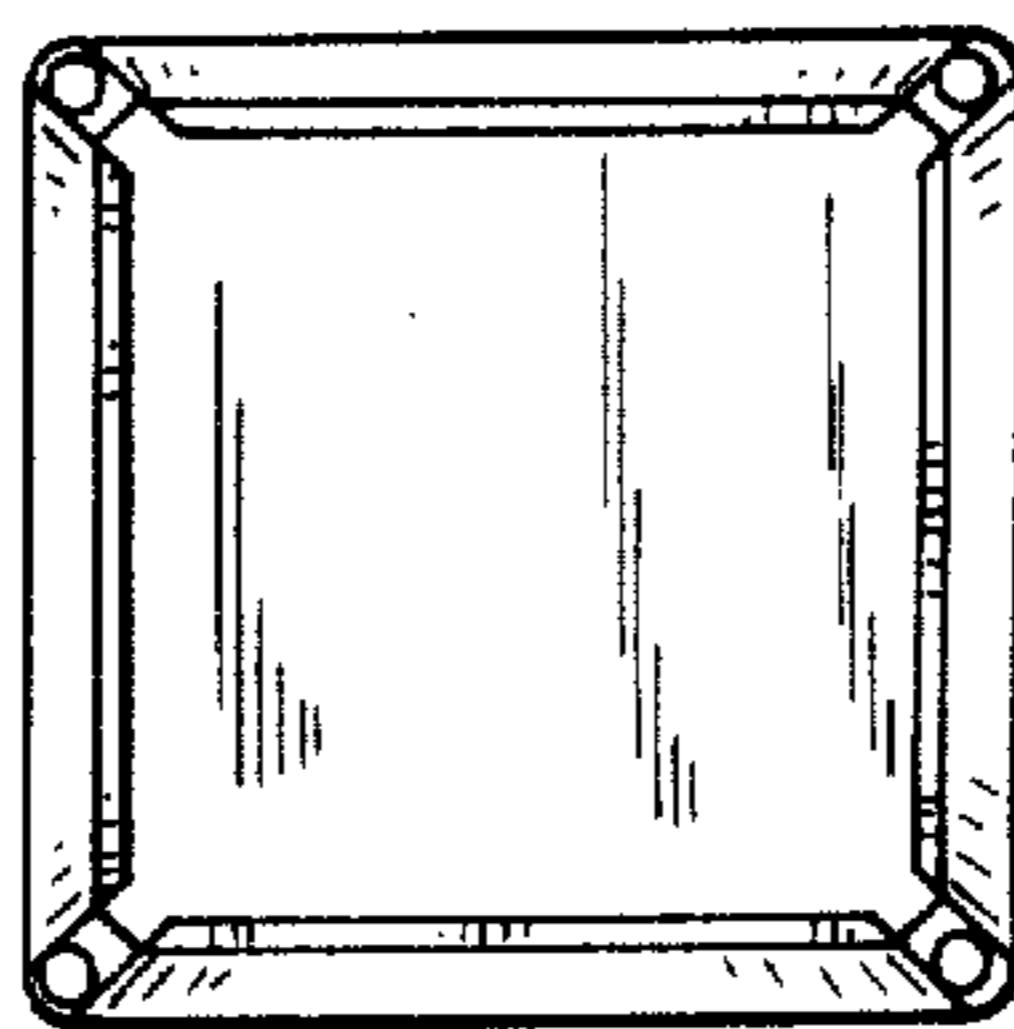


FIG.14

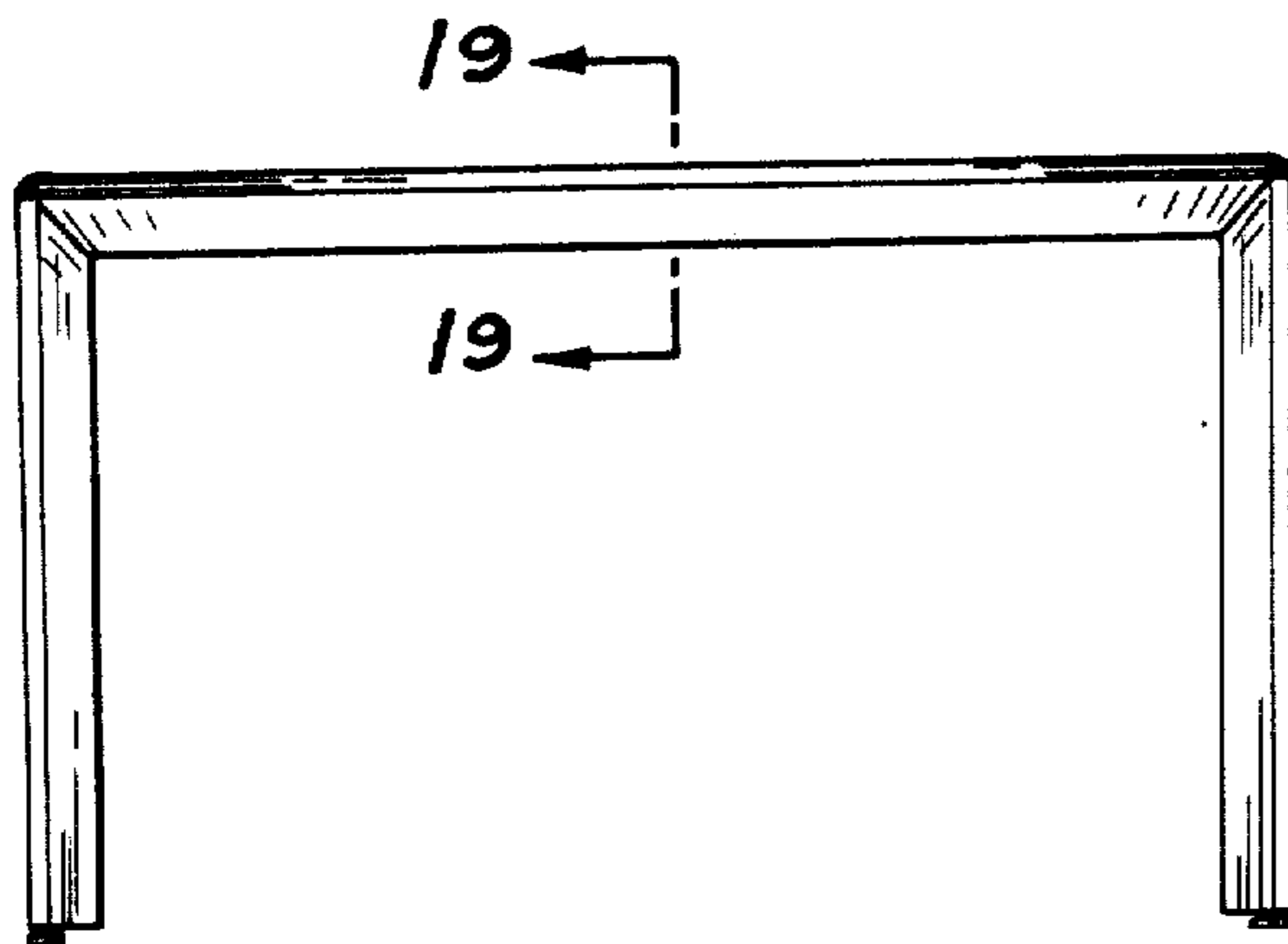


FIG.16

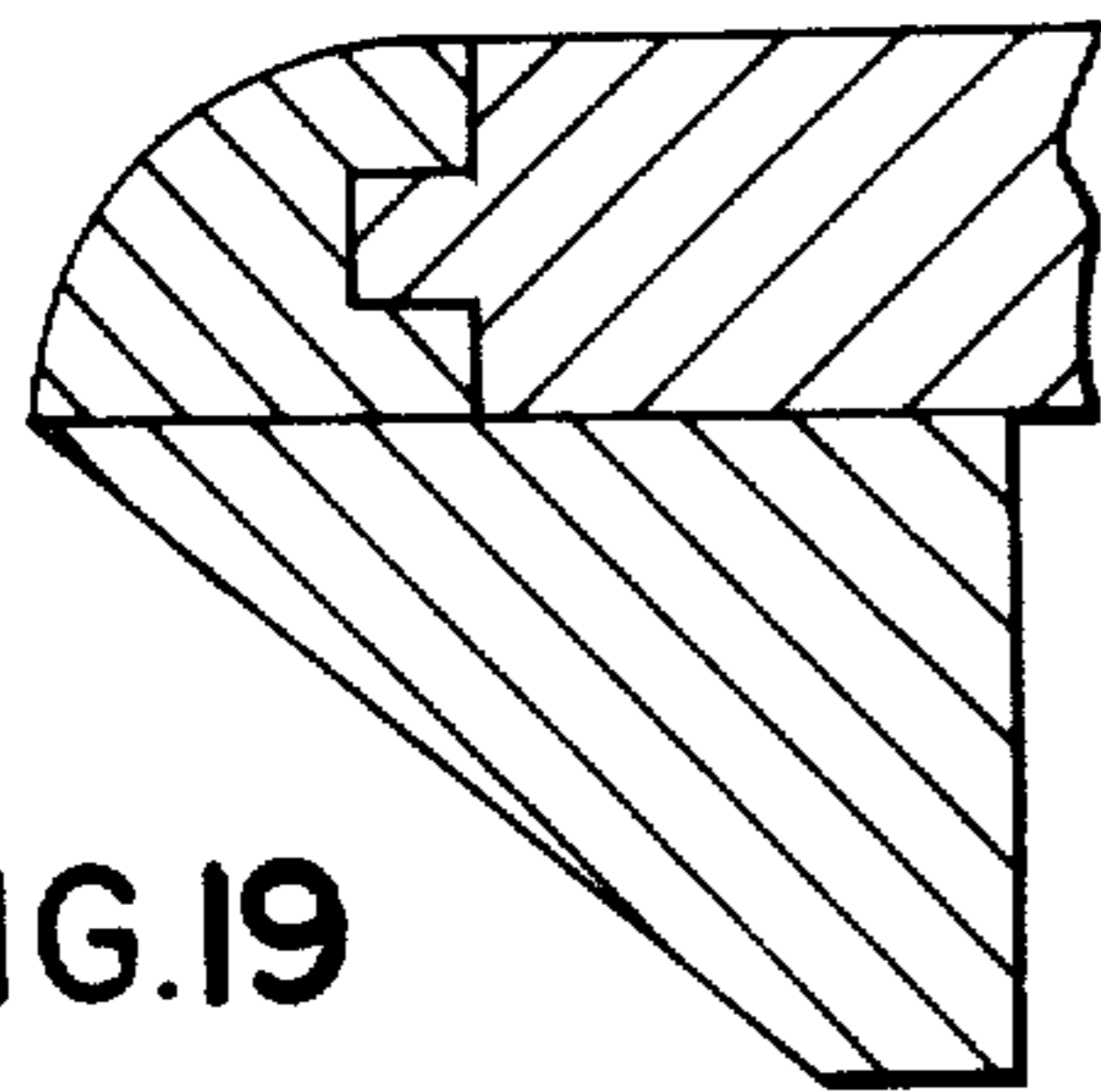


FIG.19

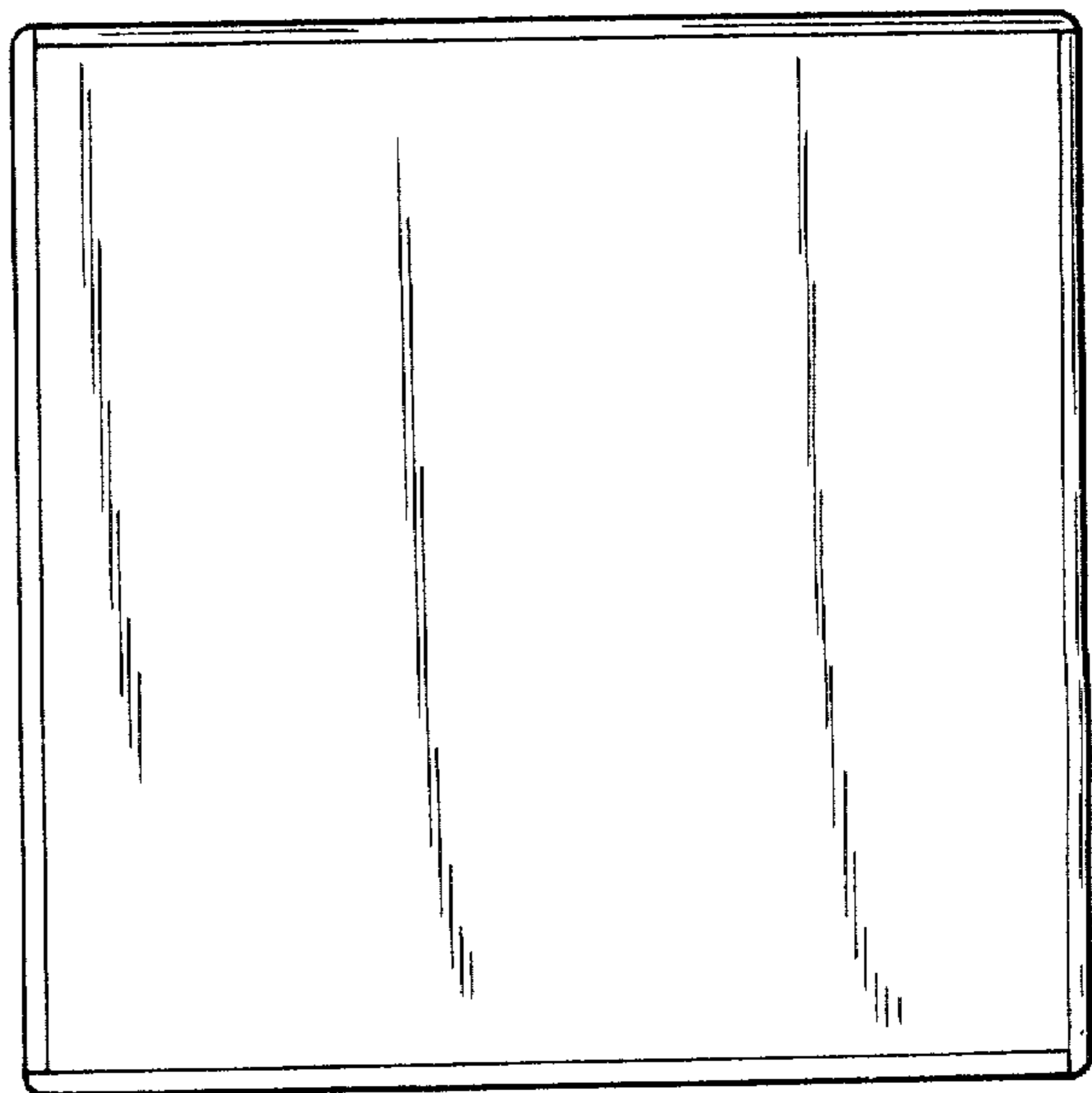


FIG.17

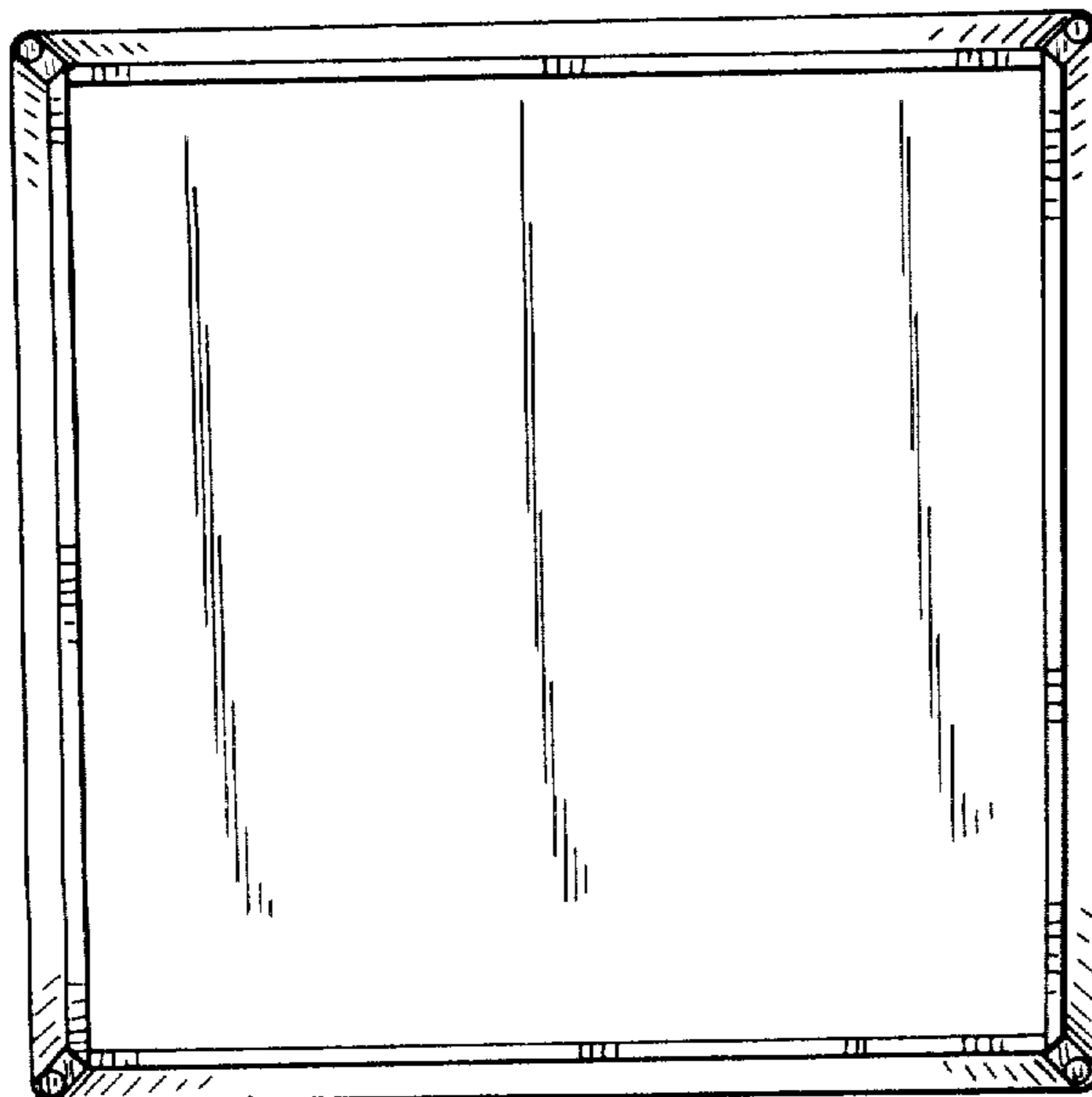


FIG.18