

[54] **HIGH INTENSITY LIGHT FIXTURE**

[75] **Inventor:** Donald J. Leithauser, Jr., Westwood, N.J.

[73] **Assignee:** Keene Corporation, Union, N.J.

[**] **Term:** 14 Years

[21] **Appl. No.:** 247,344

[22] **Filed:** Mar. 25, 1981

[51] **Int. Cl.** D26—05
[52] **U.S. Cl.** D26/72
[58] **Field of Search** 362/404, 362, 311, 296, 362/297, 300; D26/67, 68, 72, 81-92, 129, 128, 145, 130, 131, 135, 137, 138, 142; 174/DIG. 2, 50 R, 52

[56] **References Cited**

U.S. PATENT DOCUMENTS

D. 207,414 4/1967 Lum et al. D26/88
D. 207,789 5/1967 Kimble D26/67
D. 213,994 4/1969 Blaisdell et al. D26/67
D. 217,018 3/1970 Anderson, Jr. D26/67

Primary Examiner—Susan J. Lucas
Attorney, Agent, or Firm—Kane, Dalsimer, Kane, Sullivan and Kurucz

[57] **CLAIM**

The ornamental design for a high intensity light fixture, as shown and described.

DESCRIPTION

FIG. 1 is an upwardly looking isometric view of a high intensity light fixture showing my new design; FIG. 2 is a downwardly looking isometric view of a high intensity light fixture showing my new design; FIG. 3 is a front elevational view of the high intensity light fixture of FIG. 1 on an enlarged scale; and FIG. 4 is an elevational view from the right hand side of FIG. 1 on an enlarged scale.

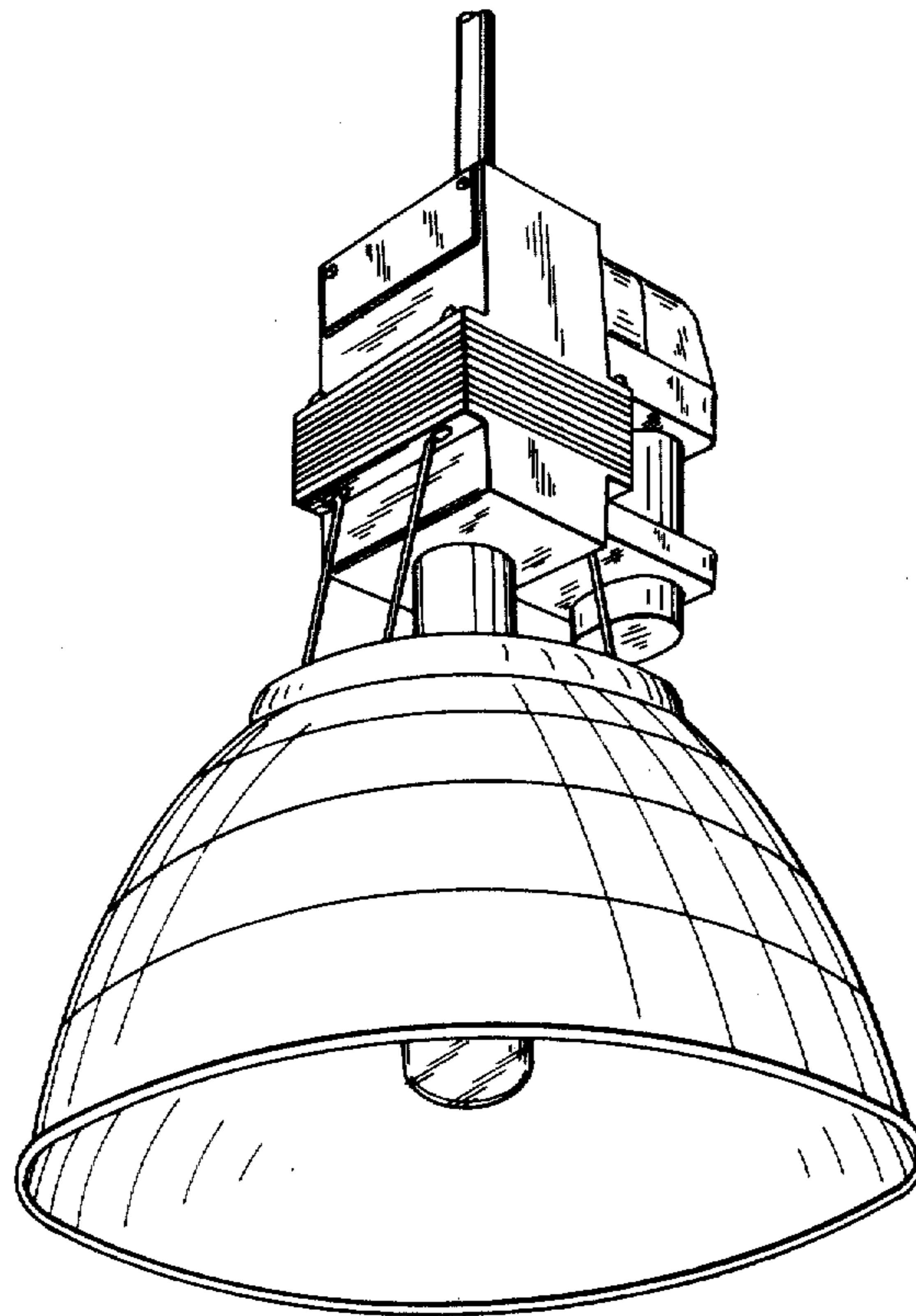


FIG. 1

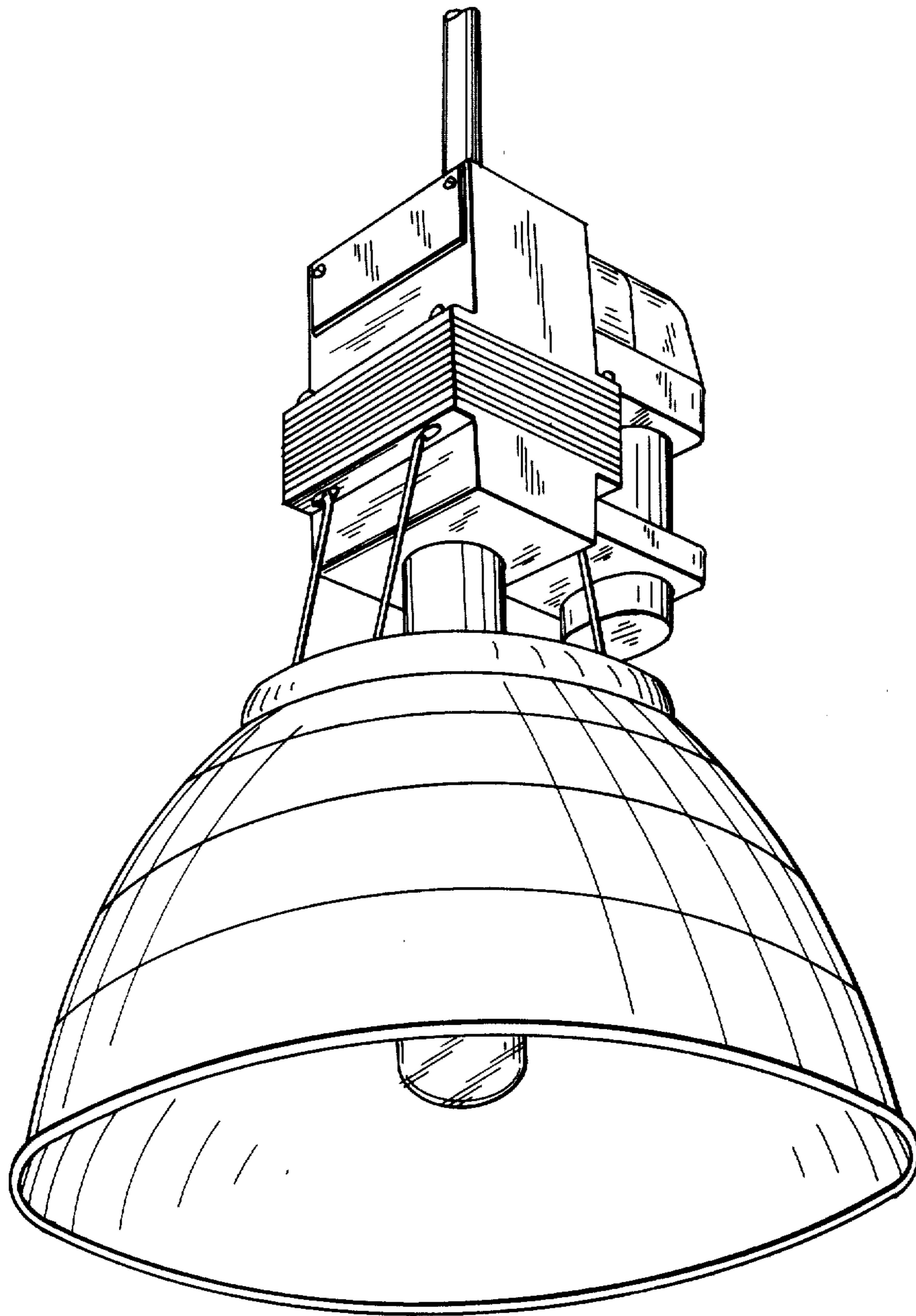


FIG. 2

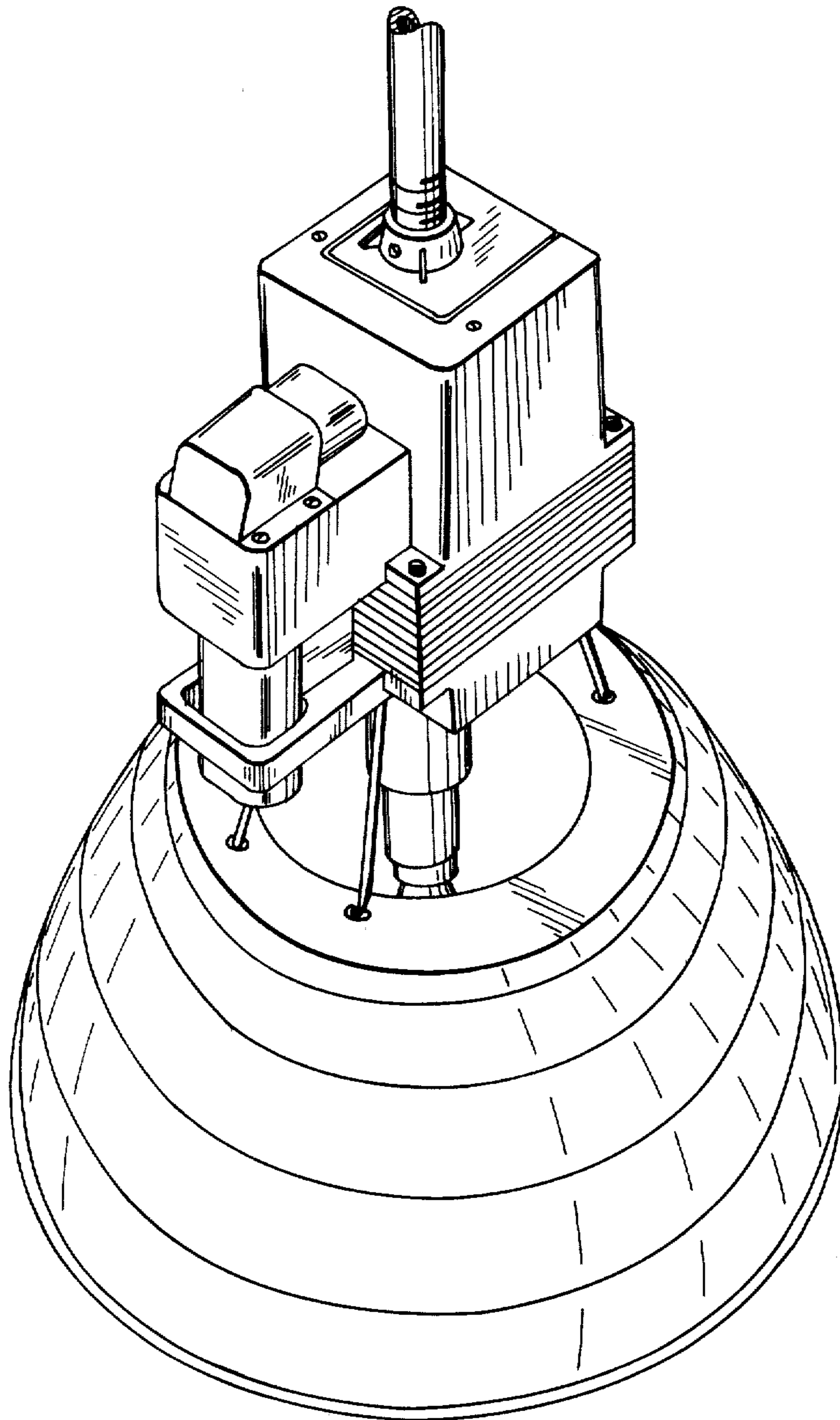


FIG. 3

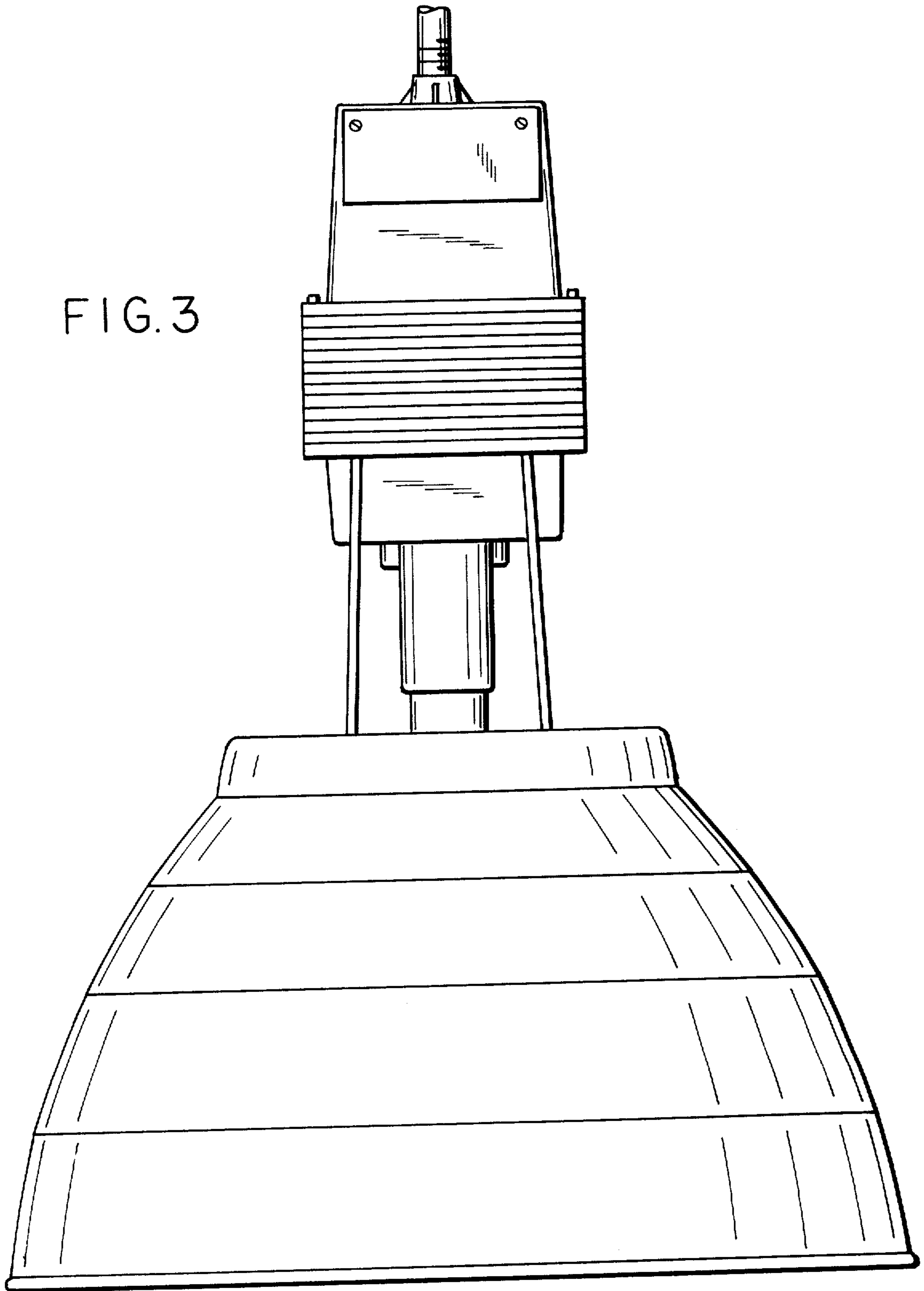


FIG. 4

