

[54] AUTOCLAVE CONTAINER

[75] Inventors: Roger S. Sanderson, 24772 Santa Clara, Dana Point, Calif. 92629; Robert C. Whelchel, Newport Beach, Calif.

[73] Assignee: Roger S. Sanderson, Dana Point, Calif.

[\*\*] Term: 14 Years

[21] Appl. No.: 156,252

[22] Filed: Jun. 3, 1980

[51] Int. Cl. .... D24-01

[52] U.S. Cl. .... D24/9

[58] Field of Search ..... D24/9; 422/300, 294, 422/297, 303

[56] References Cited

U.S. PATENT DOCUMENTS

- D. 234,640 3/1975 Zagara ..... D24/9
- D. 247,308 2/1978 Truette ..... D24/9

- D. 248,567 7/1978 Ward ..... D24/9
- D. 259,809 7/1981 Lancellotti ..... D24/9 X
- 3,114,599 12/1963 Fanning ..... D24/9 X

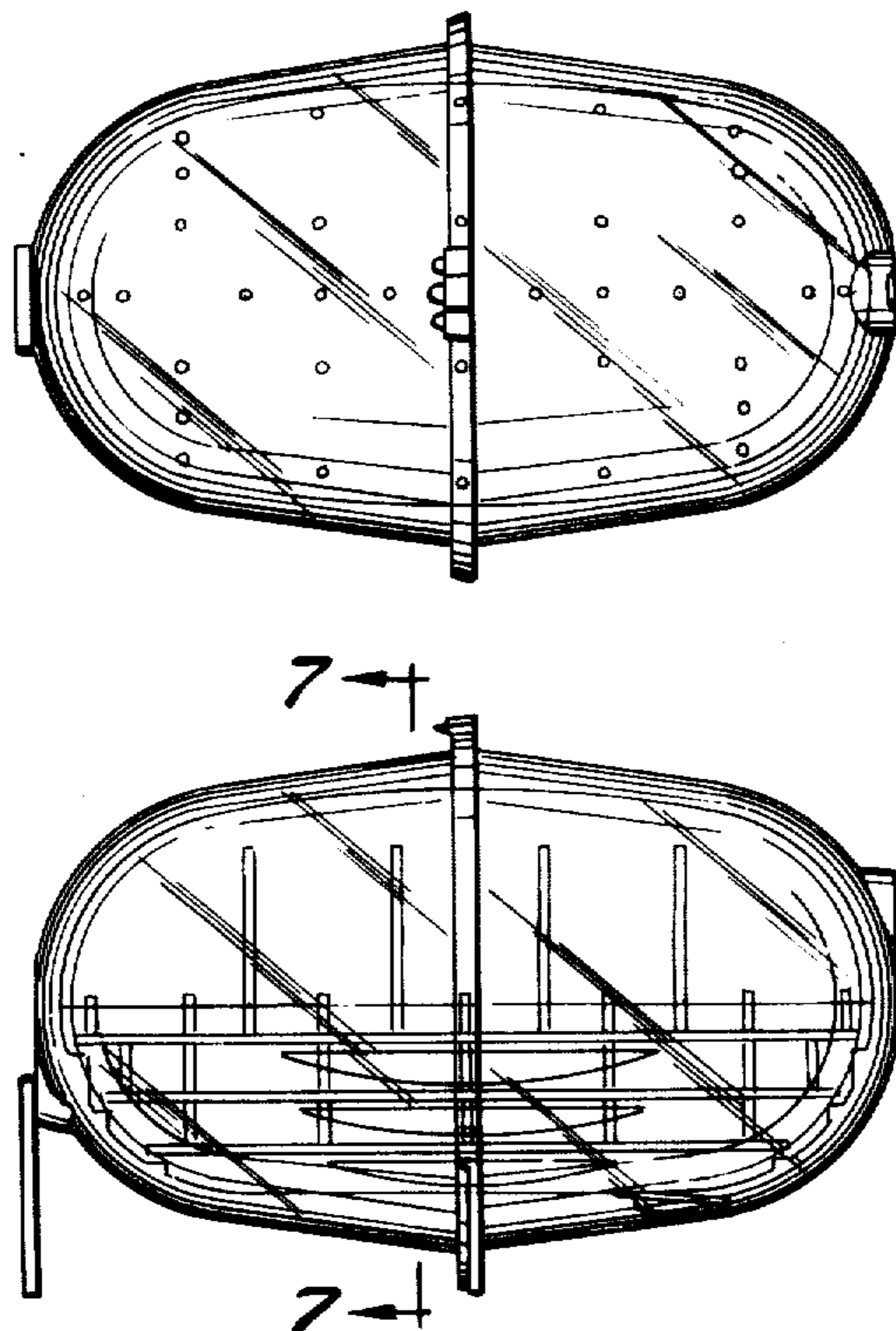
Primary Examiner—Bernard Ansher  
Attorney, Agent, or Firm—Knobbe, Martens, Olson, Hubbard & Bear

[57] CLAIM

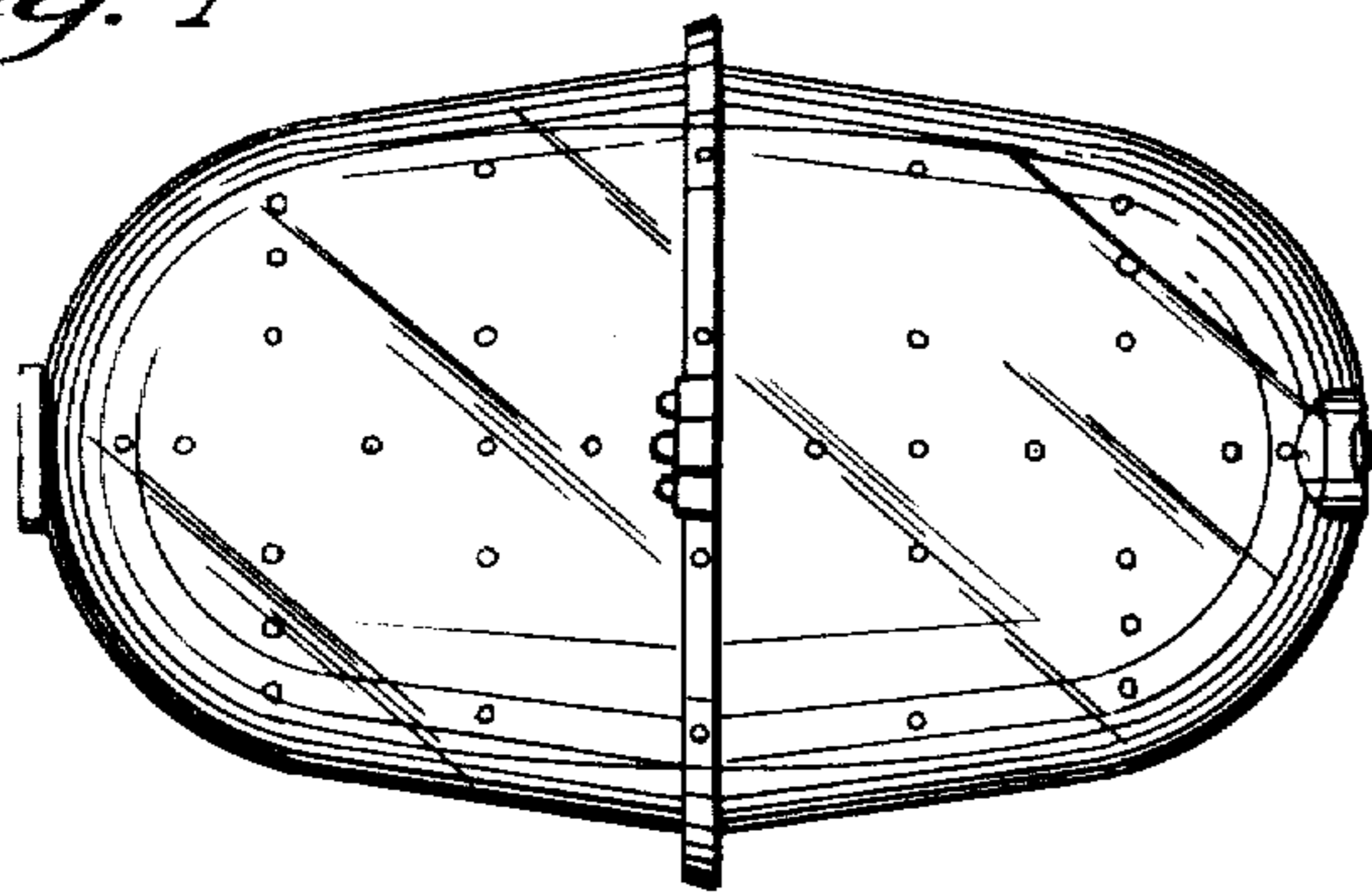
The ornamental design for an autoclave container, as shown and described.

DESCRIPTION

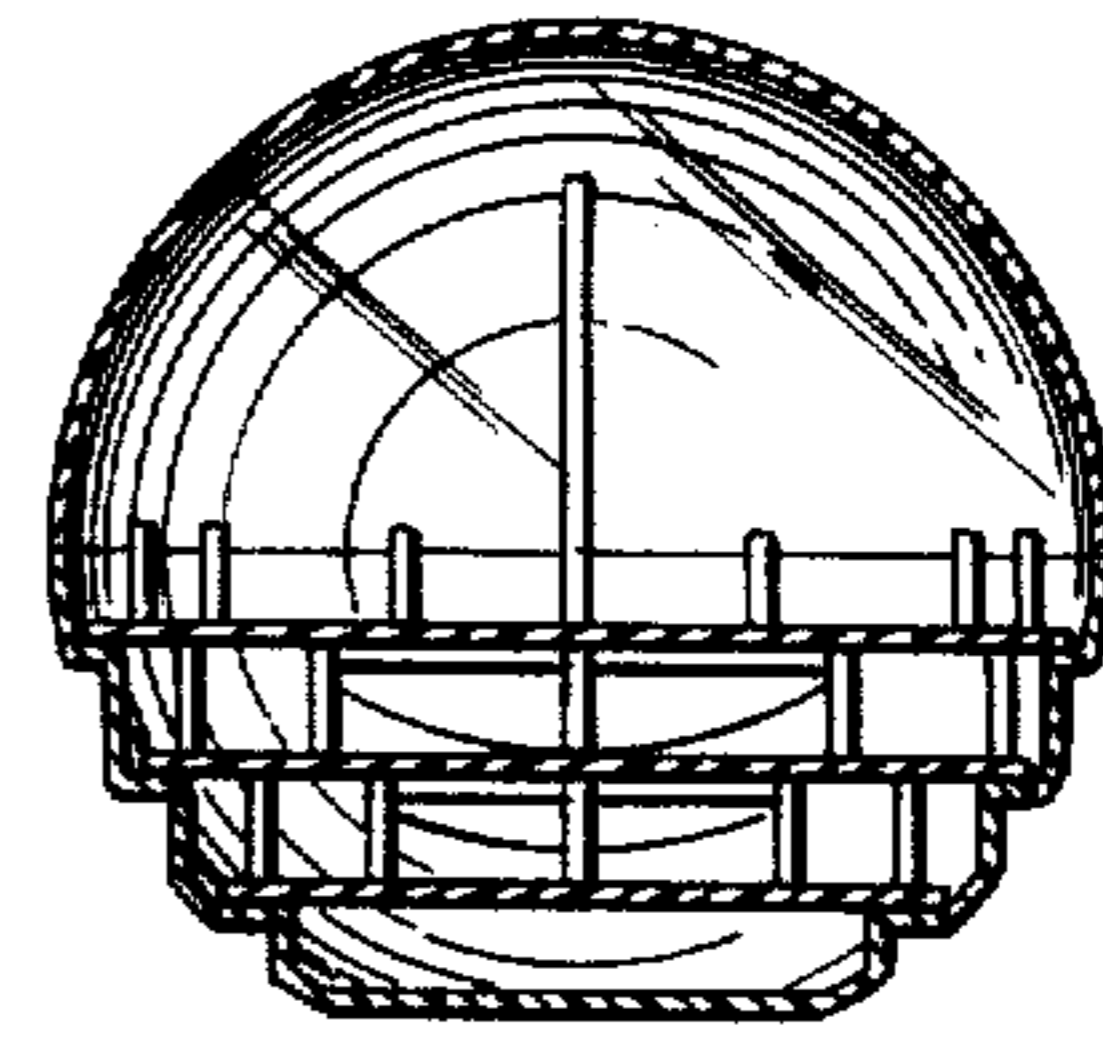
FIG. 1 is a top plan view of an autoclave container showing our new design;  
 FIG. 2 is a front elevational view thereof;  
 FIG. 3 is a right side elevational view;  
 FIG. 4 is a left side elevational view;  
 FIG. 5 is a rear elevational view;  
 FIG. 6 is a bottom plan view; and  
 FIG. 7 is a cross-sectional view on line 7—7 of FIG. 2 showing an inner transparent basket containing a plurality of instrument sorting trays, with the outer container not shown in FIG. 7.



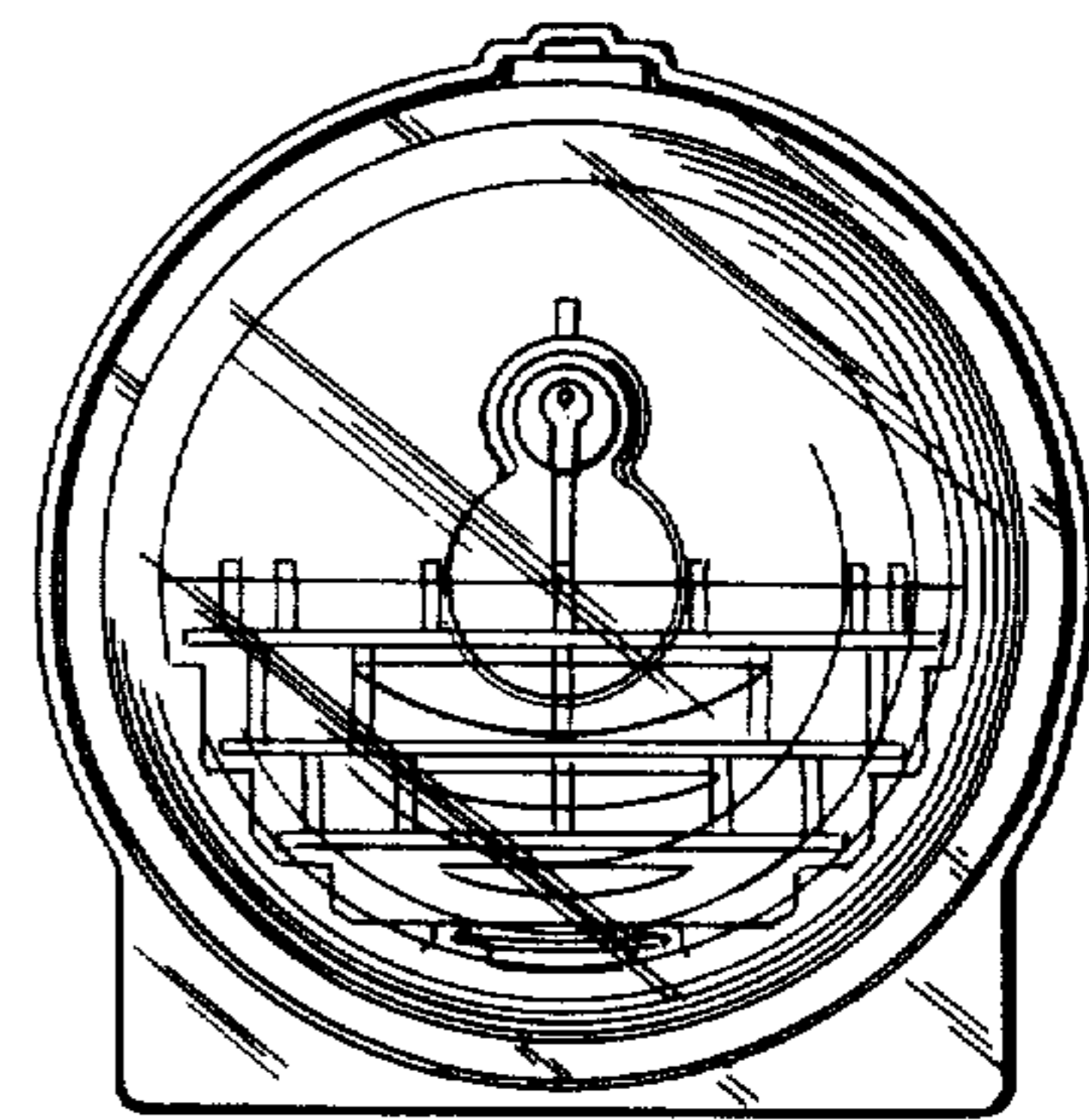
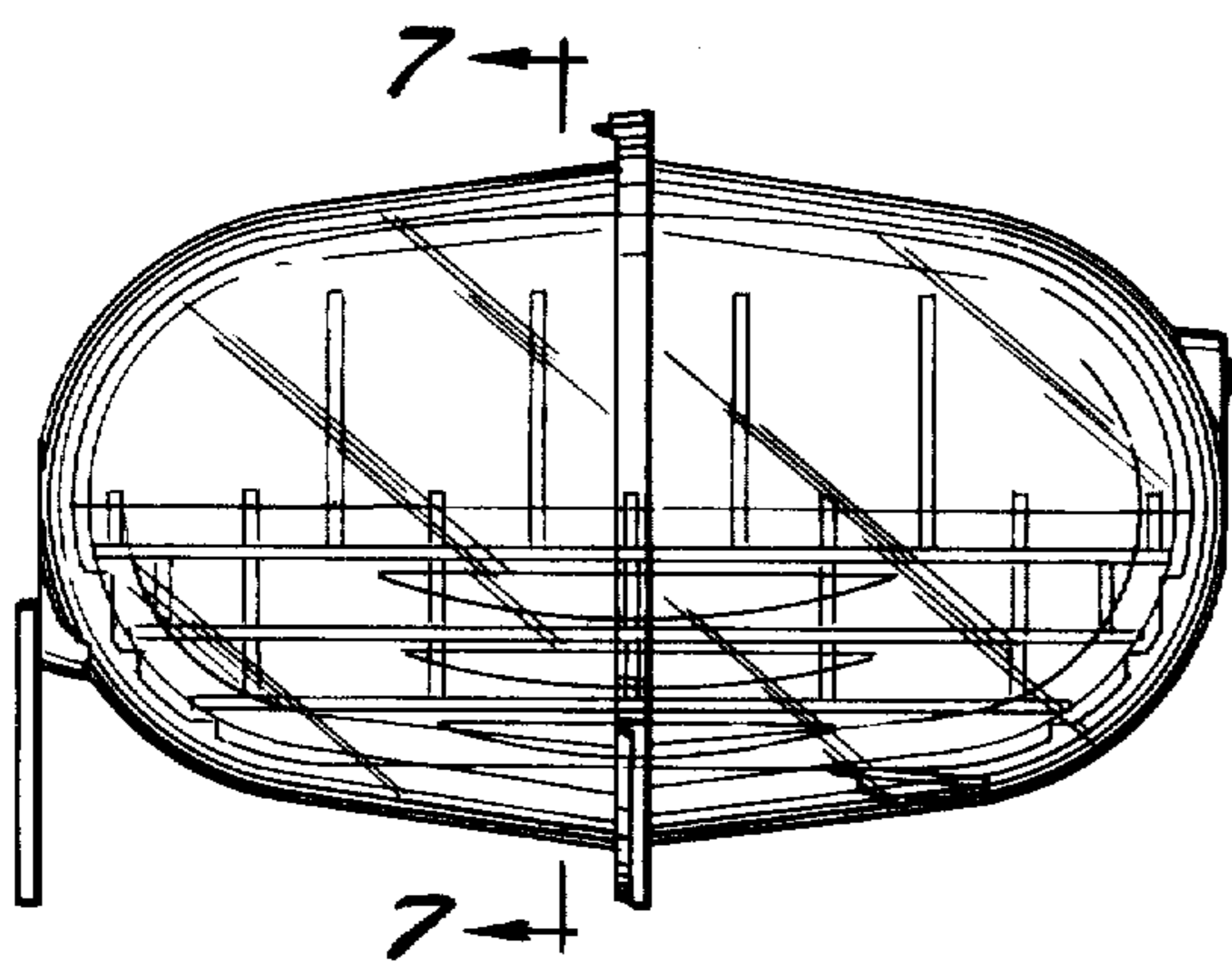
*Fig. 1*



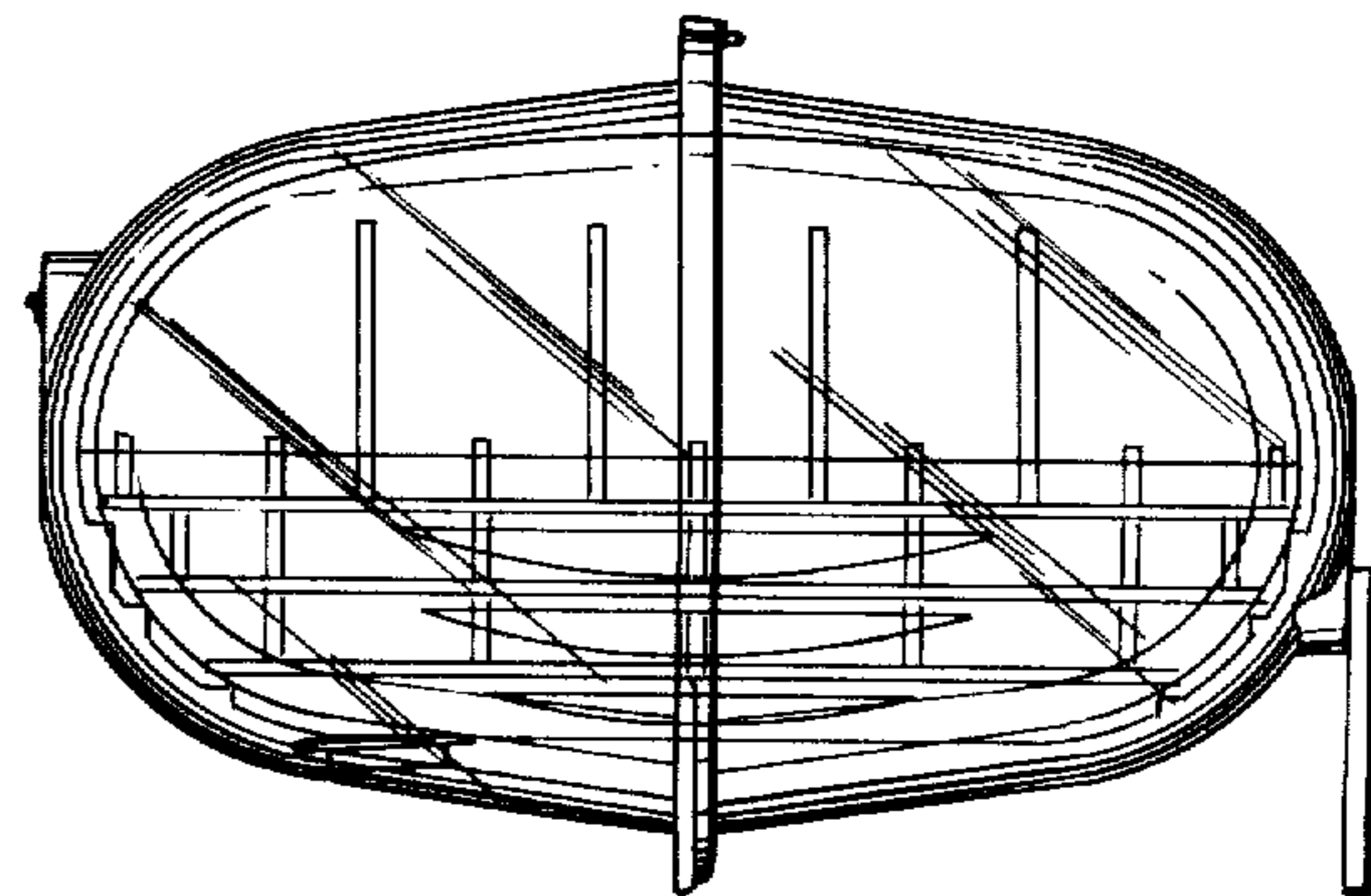
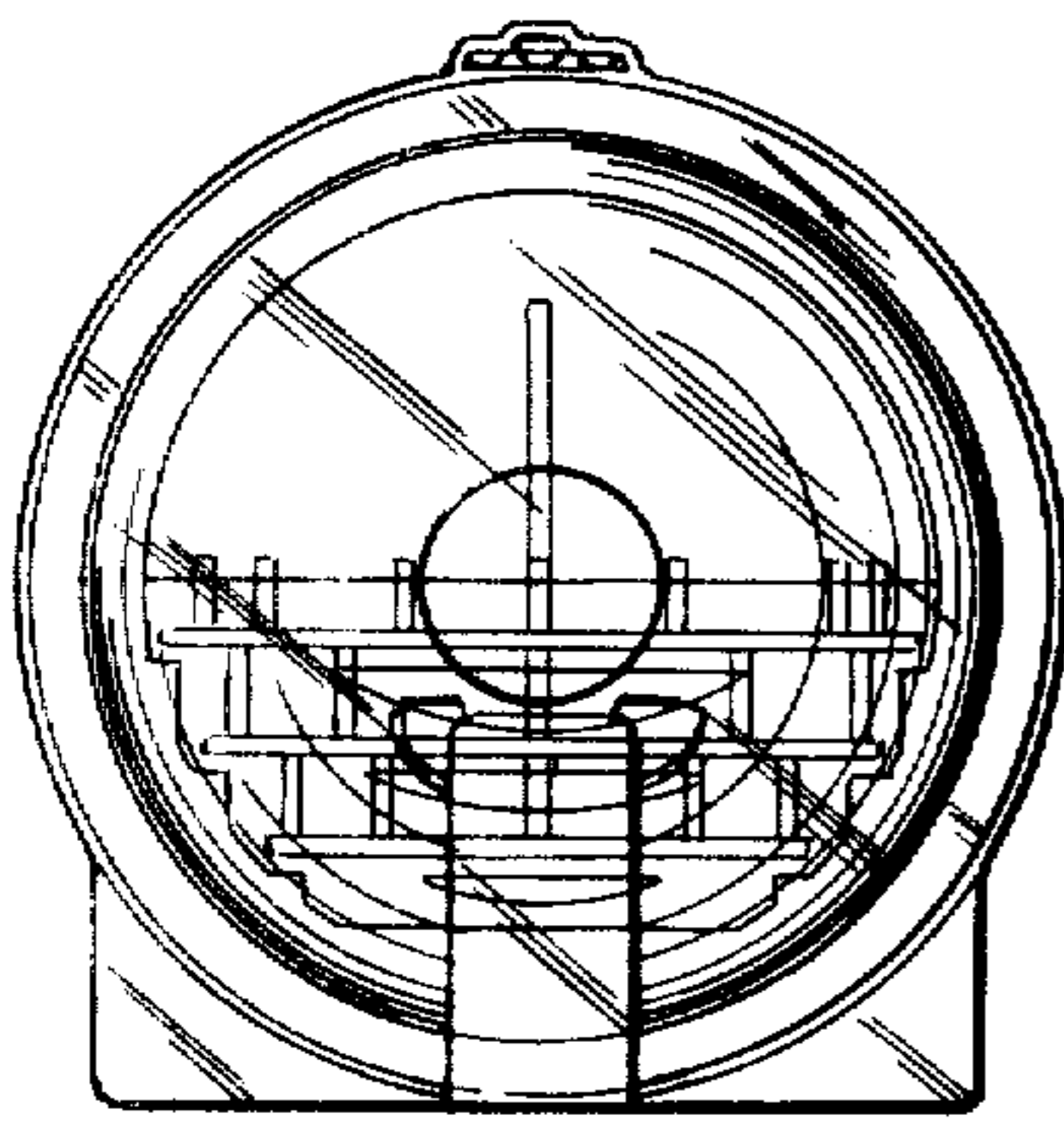
*Fig. 7*



*Fig. 3*



*Fig. 2*



*Fig. 4*

*Fig. 5*

*Fig. 6*

