

[54] GOLF CLUB HEAD

[75] Inventor: Lin Fisher, Dallas, Tex.

[73] Assignee: Foxbat Precision Golf Equipment, Dallas, Tex.

[\*\*] Term: 14 Years

[21] Appl. No.: 252,321

[22] Filed: Apr. 9, 1981

[51] Int. Cl. .... D21-02

[52] U.S. Cl. .... D21/220

[58] Field of Search ..... D21/214-220; 273/163 R, 164, 167-175

[56] References Cited

U.S. PATENT DOCUMENTS

D. 225,123 11/1972 Viero et al. .... D21/220

OTHER PUBLICATIONS

Golf Digest, Dec. 1974, p. 2, Stag Iron.

Golf World, Feb. 22, 1980, p. 33, 1961, Ping Iron.

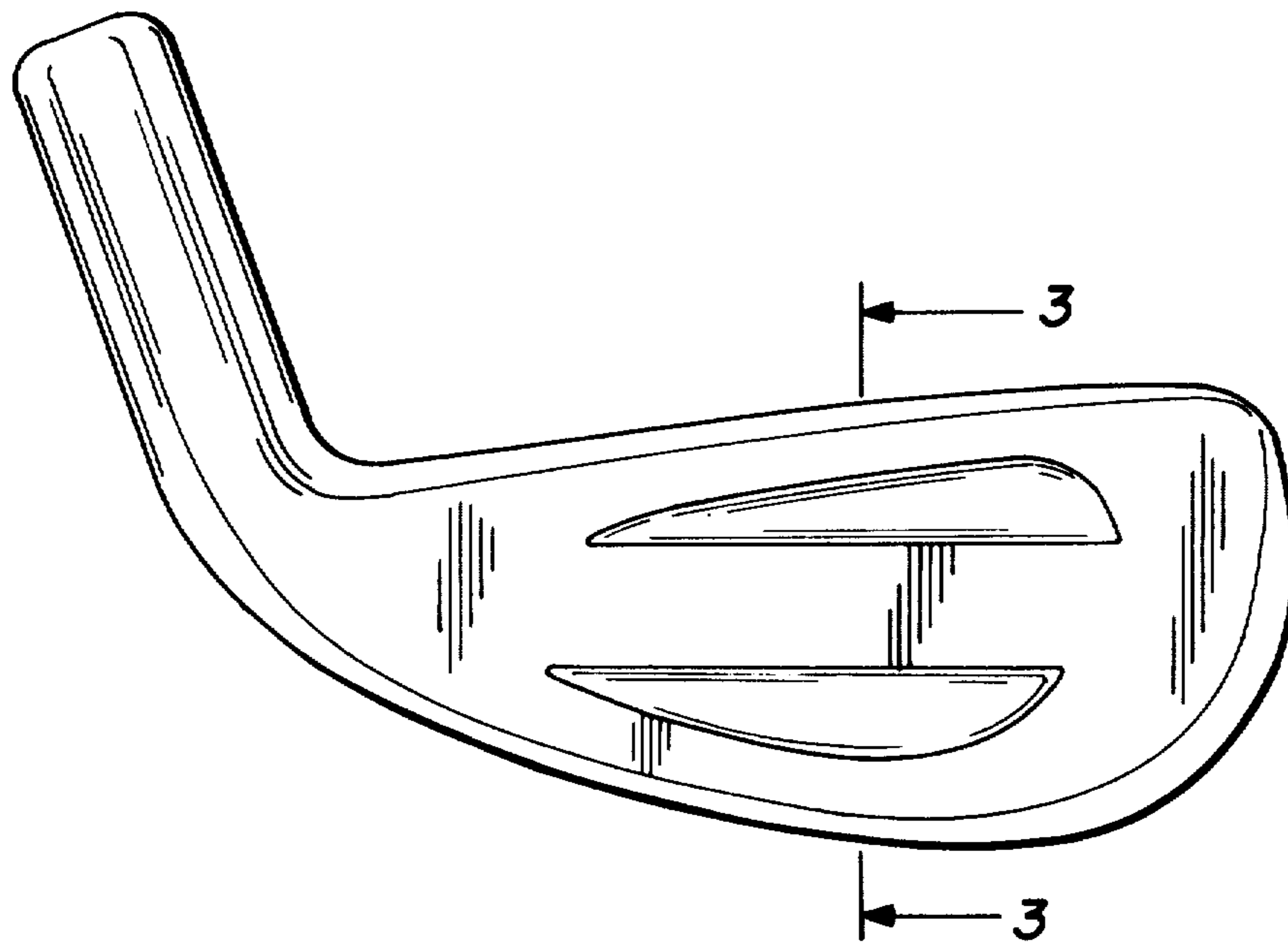
Primary Examiner—Melvin B. Feifer  
Attorney, Agent, or Firm—Richard E. Aduddell

[57] CLAIM

The ornamental design for a golf club head, substantially as shown and described.

DESCRIPTION

FIG. 1 is a front view of my new and ornamental design for a golf club head on a No. 3 iron; FIG. 2 is a rear view of my new and ornamental design for a golf club head on a No. 3 iron; FIG. 3 is a section view through line 3—3 of FIG. 2 showing the contour of the rear surface; FIG. 4 is an end view of my new and ornamental design for a golf club head on a No. 6 iron; FIG. 5 is a rear view of my new and ornamental design for a golf club head on a pitching wedge iron; and FIG. 6 is a section view through line 6—6 of FIG. 5 showing the contour of the rear surface. The dominant feature of my design resides in the appearance of the rear portion of the golf club head.



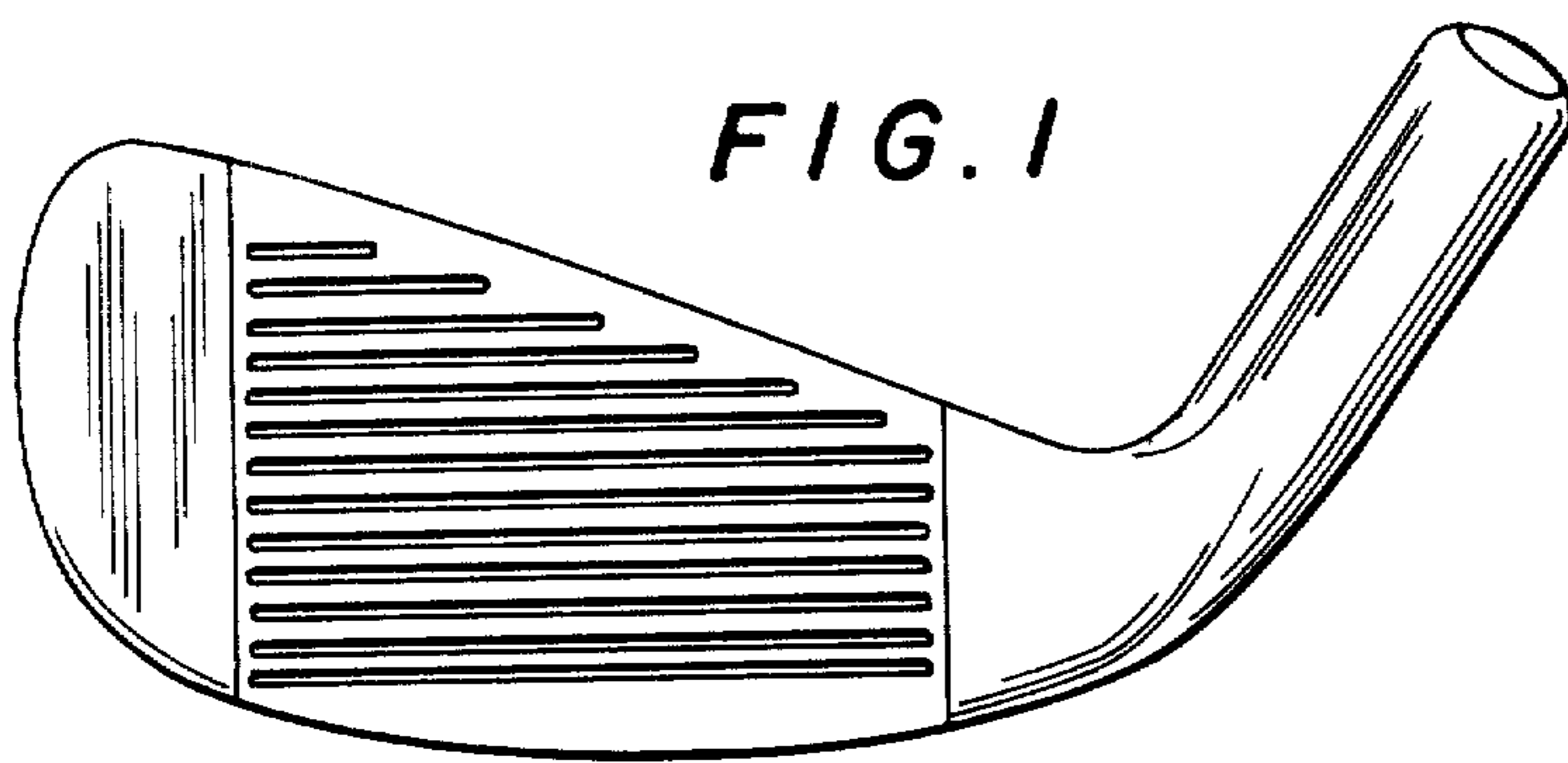


FIG. 1

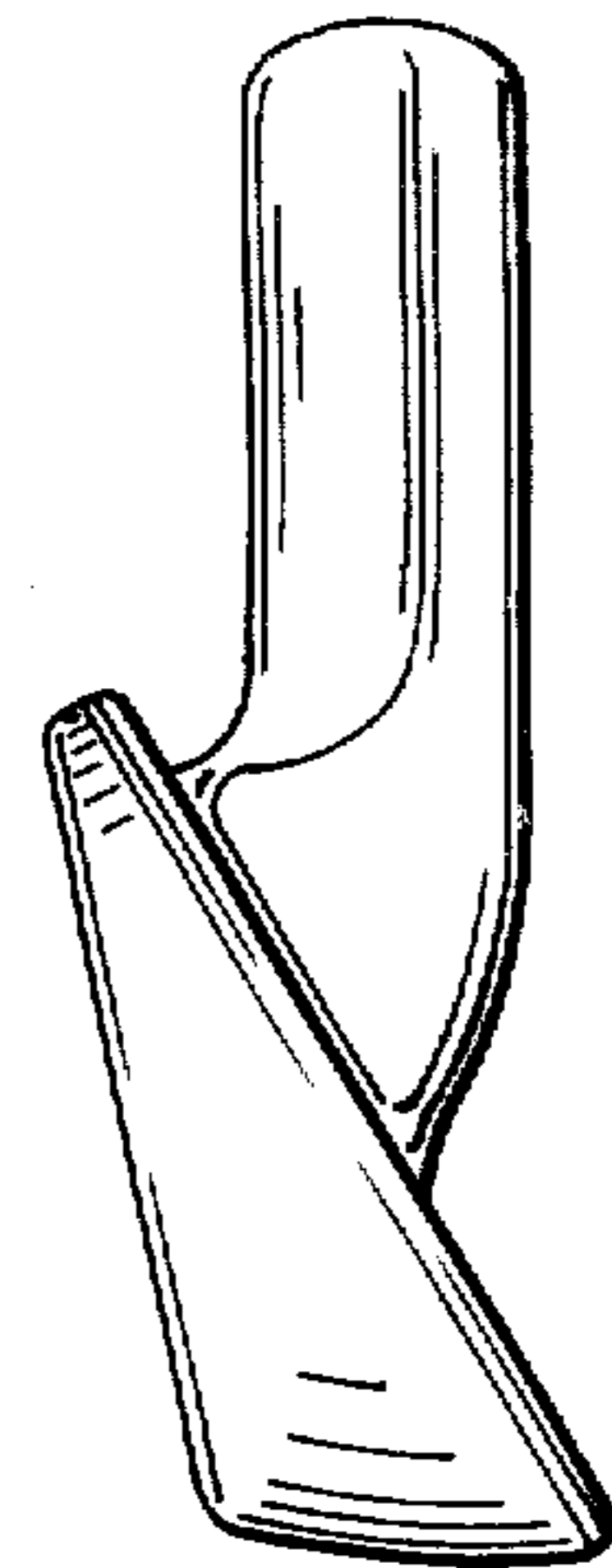


FIG. 4

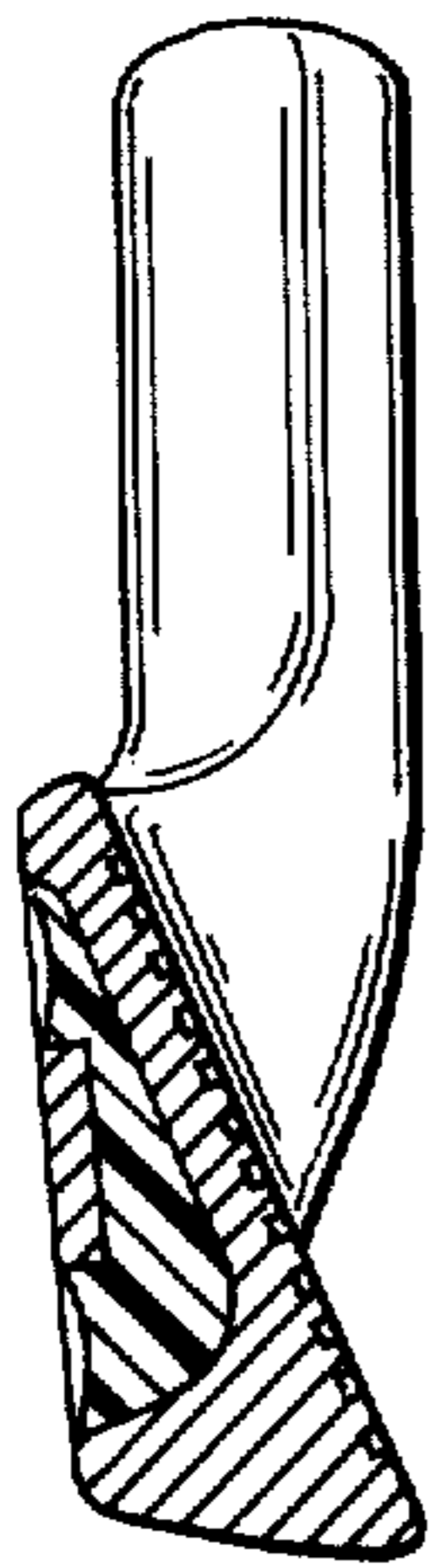


FIG. 3

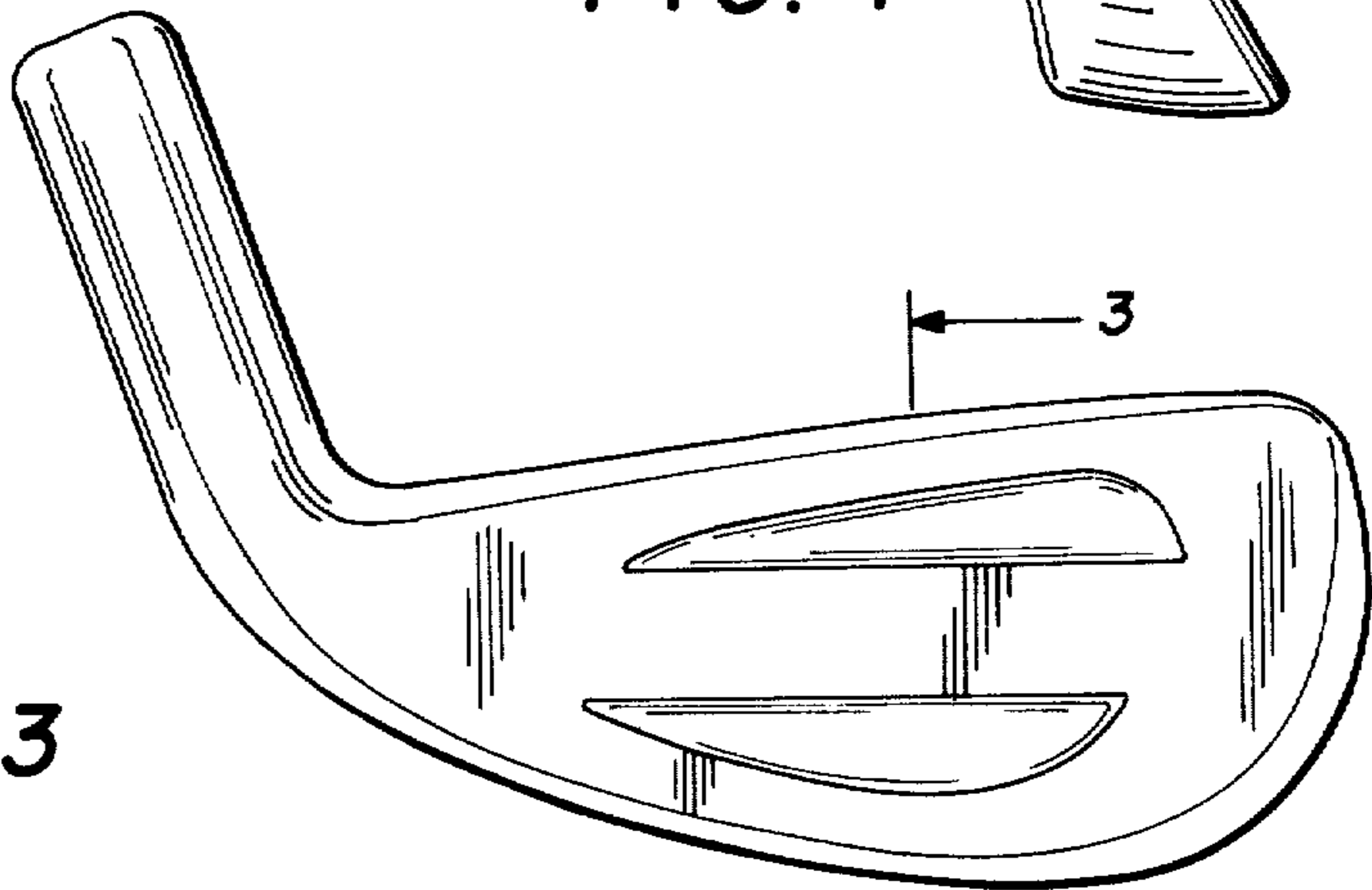


FIG. 2

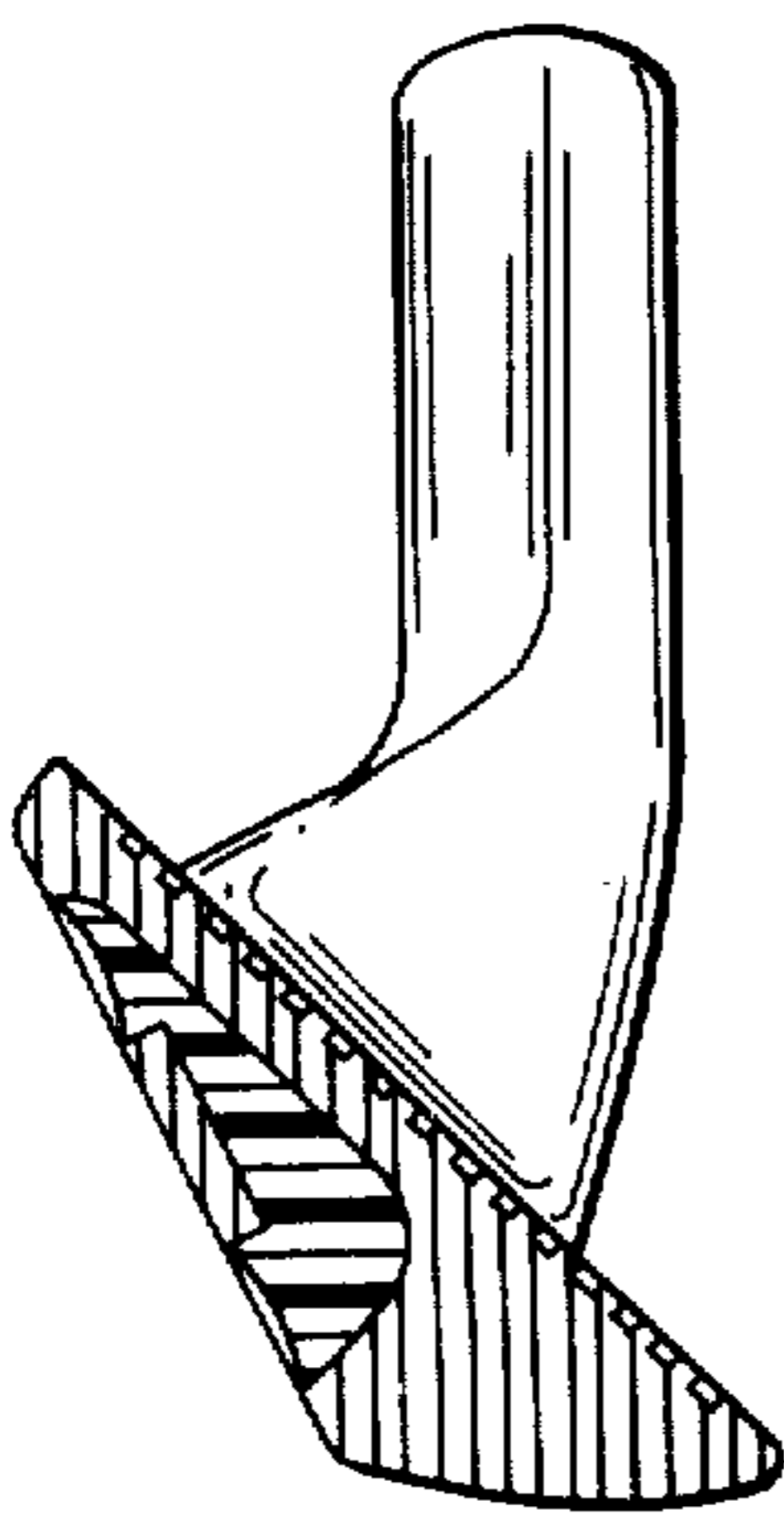


FIG. 6

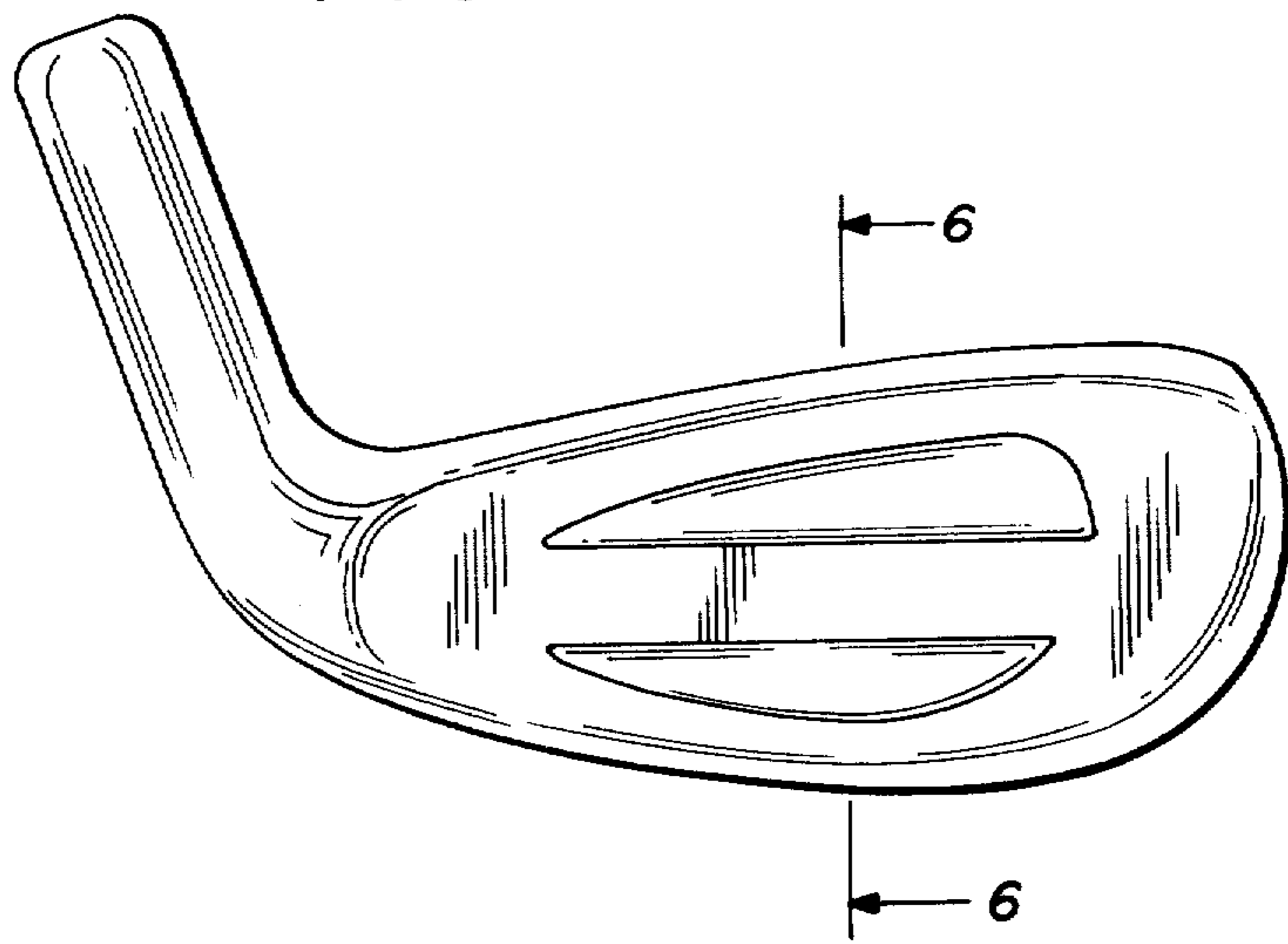


FIG. 5