

[54] **CALENDAR HOLDER OR SIMILAR ARTICLE**

[76] **Inventors:** John C. Hollister, Sr., deceased, late of Napa, Calif.; by Carol S. Hollister, legal representative, P.O. Box 2605, Napa, Calif. 94558

[\*\*] **Term:** 14 Years

[21] **Appl. No.:** 168,177

[22] **Filed:** Jul. 11, 1980

[51] **Int. Cl.** ..... D19-03

[52] **U.S. Cl.** ..... D19/20; D6/235

[58] **Field of Search** ..... D19/20-25, D19/75, 78, 86, 90; D6/140, 184, 185, 232, 235; D20/15, 40; 40/120

[56] **References Cited**

**U.S. PATENT DOCUMENTS**

D. 96,730	9/1935	Dorset	.....	D6/140
D. 143,389	1/1946	Barbieri	.....	D6/235
D. 163,586	6/1951	Dingeldein	.....	D19/21
D. 197,436	2/1964	Bromley	.....	D7/52
D. 215,509	9/1969	Vernon	.....	D19/20
3,683,532	8/1972	Ankrum	.....	40/120

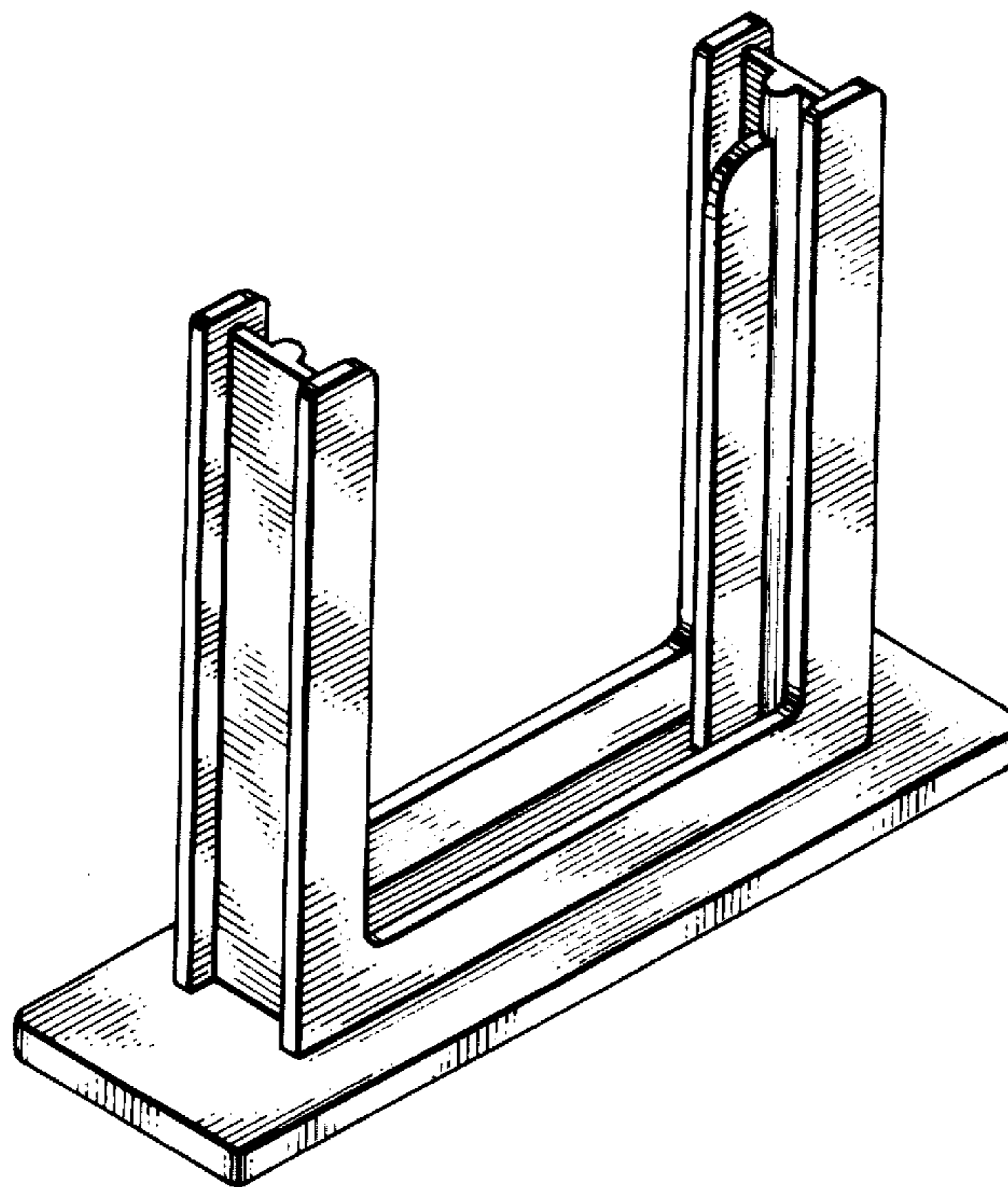
*Primary Examiner*—George P. Word

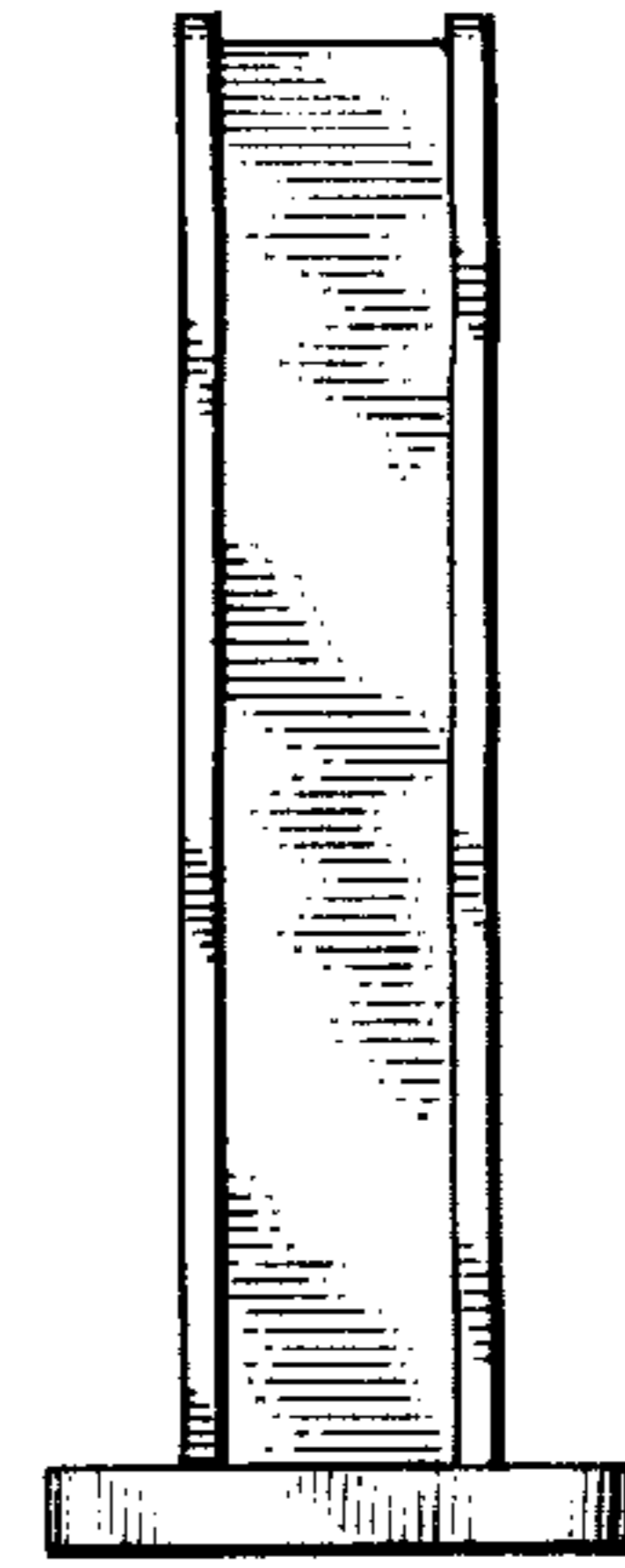
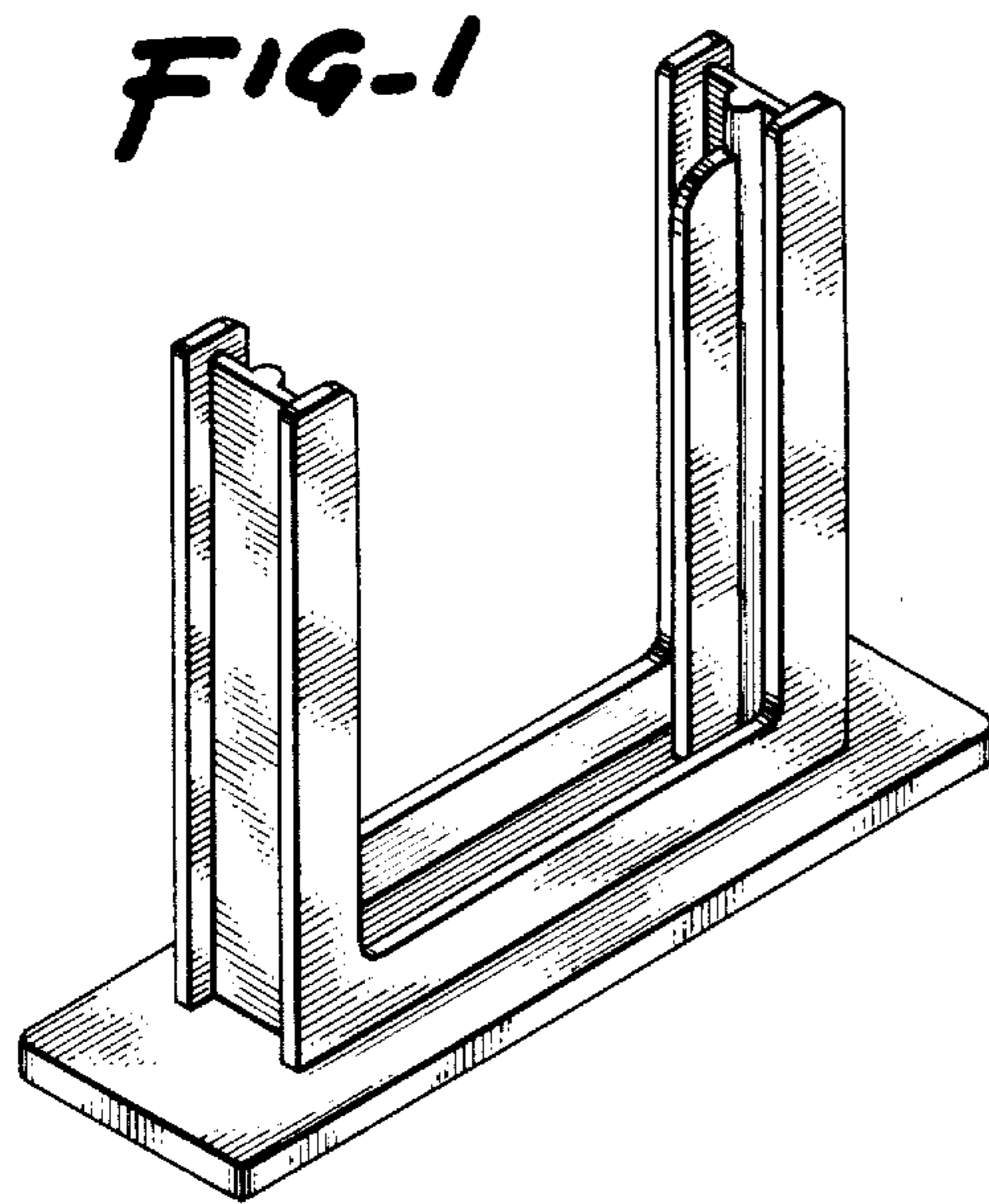
[57] **CLAIM**

The ornamental design for a calendar holder or similar article, substantially as shown and described.

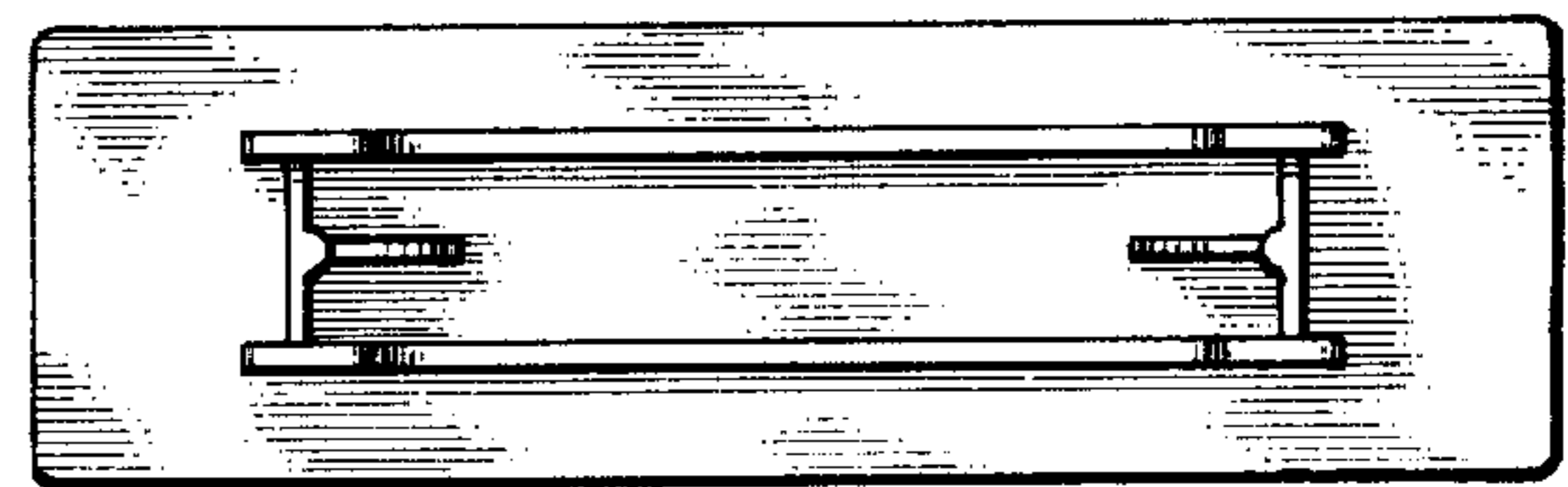
**DESCRIPTION**

FIG. 1 is a front perspective view of a calendar holder or similar article showing my new design; FIG. 2 is a bottom rear perspective view thereof; FIG. 3 is a left side elevational view, the right side elevational view being identical thereto; FIG. 4 is a top plan view thereof; and FIG. 5 is a front elevational view, the rear elevational view being identical thereto.

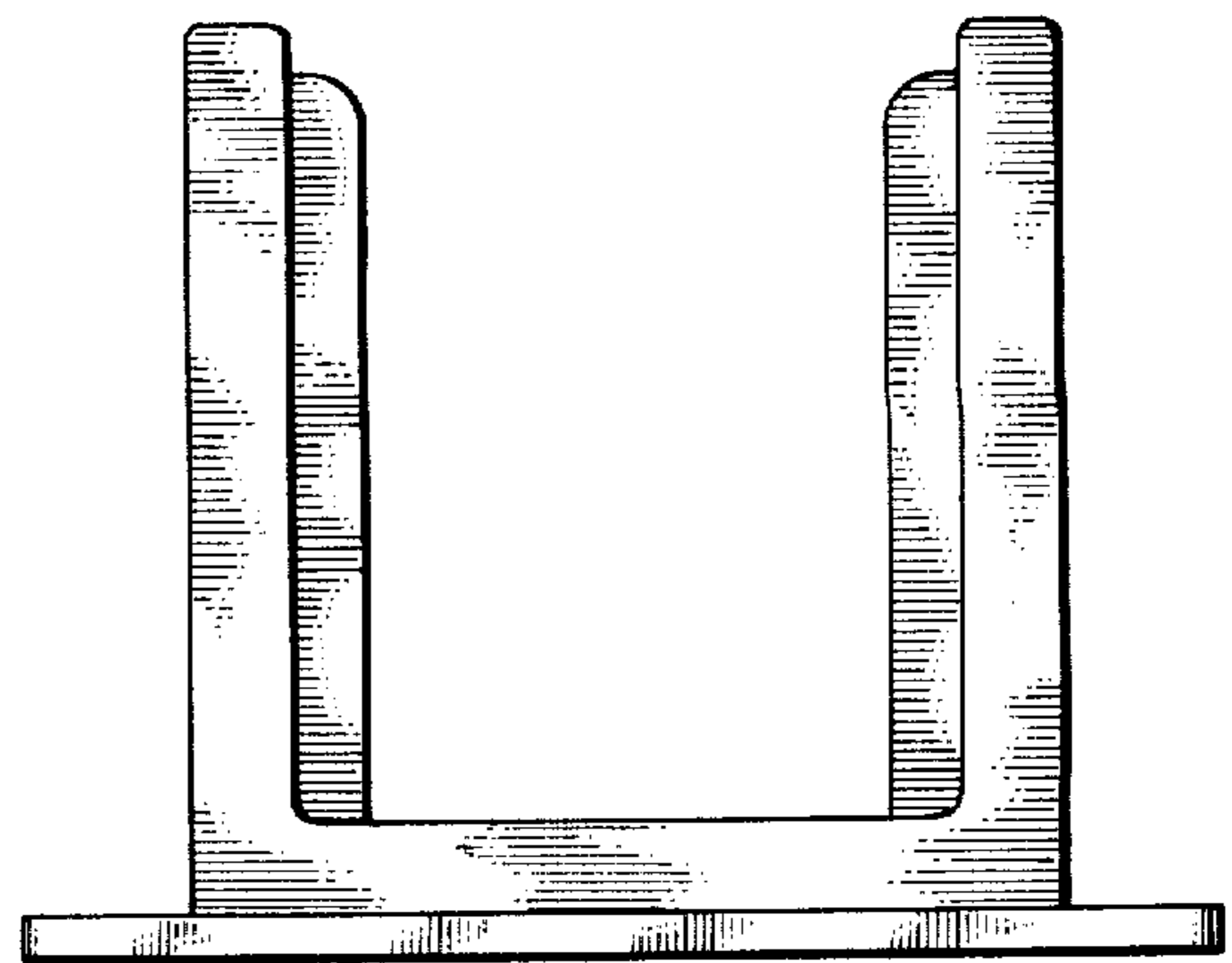
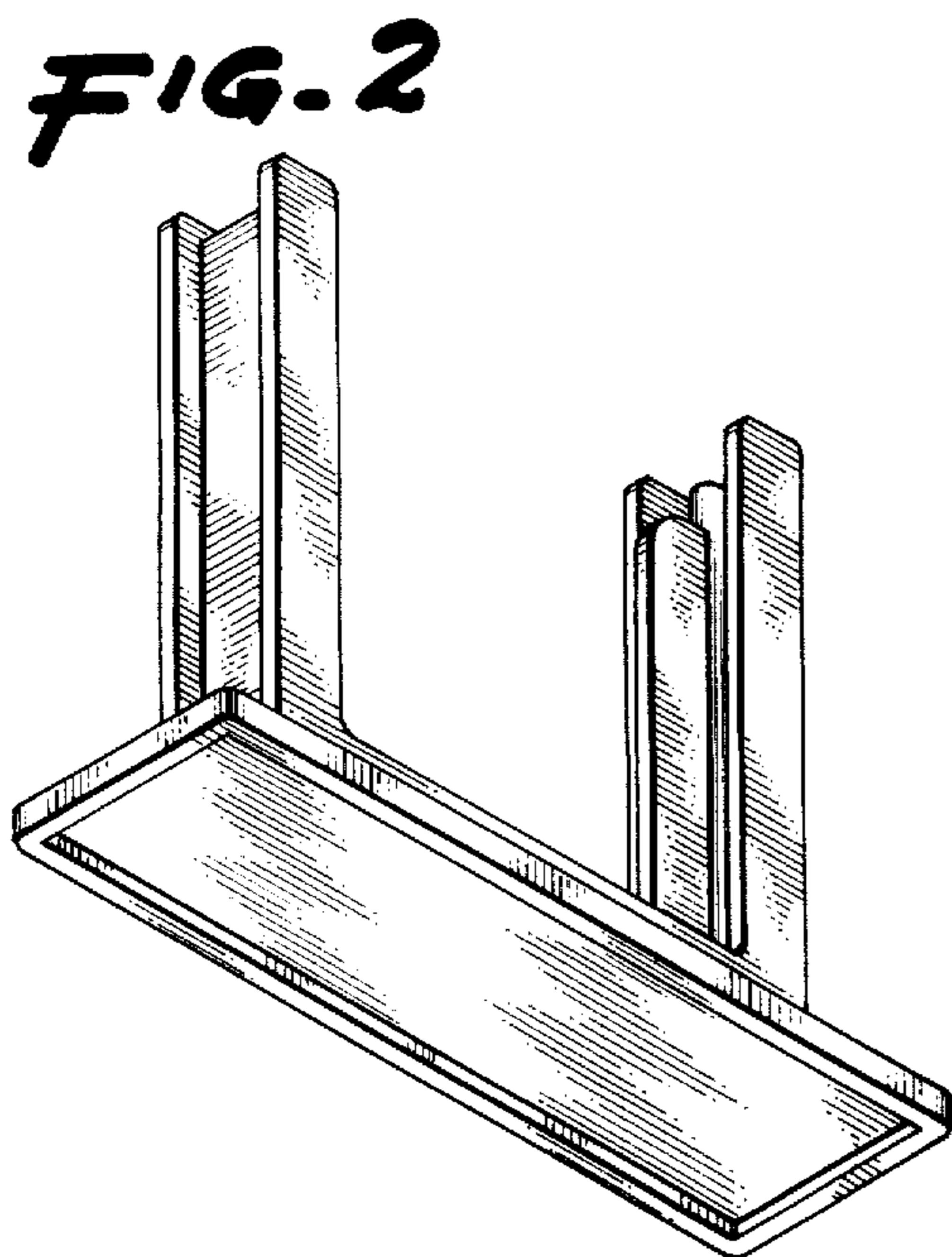




**FIG-3**



**FIG-4**



**FIG-5**