

[54] CONTROL KNOB FOR AN OFFICE MACHINE

[75] Inventor: John E. Jolliffe, Manlius, N.Y.

[73] Assignee: SCM Corporation, New York, N.Y.

[\*\*] Term: 14 Years

[21] Appl. No.: 289,433

[22] Filed: Aug. 3, 1981

[51] Int. Cl. .... D18-99

[52] U.S. Cl. .... D18/12; D8/312; D18/22

[58] Field of Search ..... D18/1, 2, 12, 13, 22, D18/23, 99; 74/553; D8/312

[56] References Cited

U.S. PATENT DOCUMENTS

D. 202,590 10/1965 Schick ..... D8/312

D. 223,798 6/1972 Jensen ..... D8/312  
D. 225,462 12/1972 Dietrich et al. .... D18/1  
1,238,261 8/1917 Cavanagh ..... 74/553 X  
2,444,485 7/1948 Aitcheson ..... 74/553

OTHER PUBLICATIONS

*Industrial Design*, Apr. 1972, p. 48-Rogan Brothers, Inc., Alpha Knobs at left.

*Primary Examiner*—Louis S. Zarfes

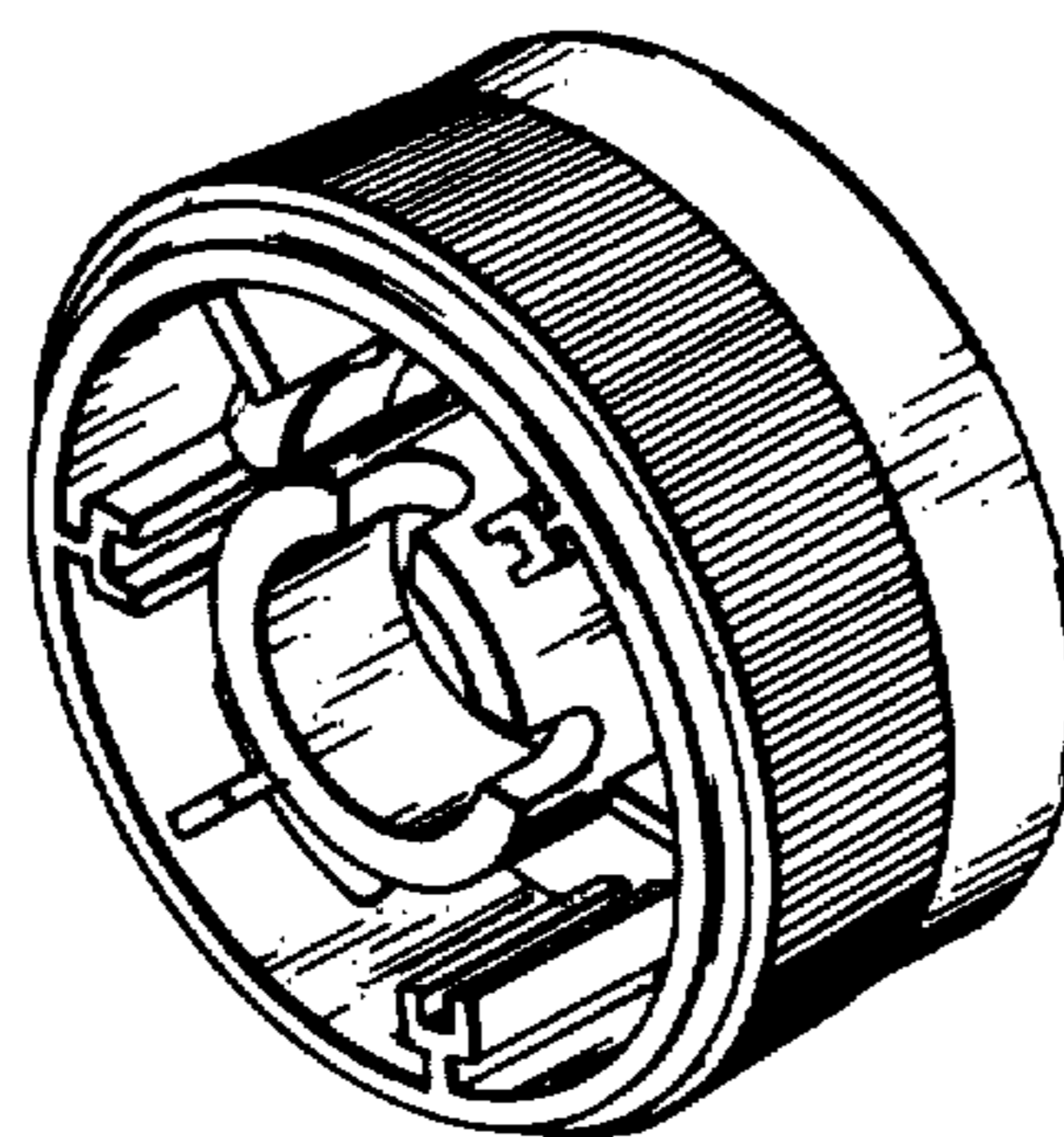
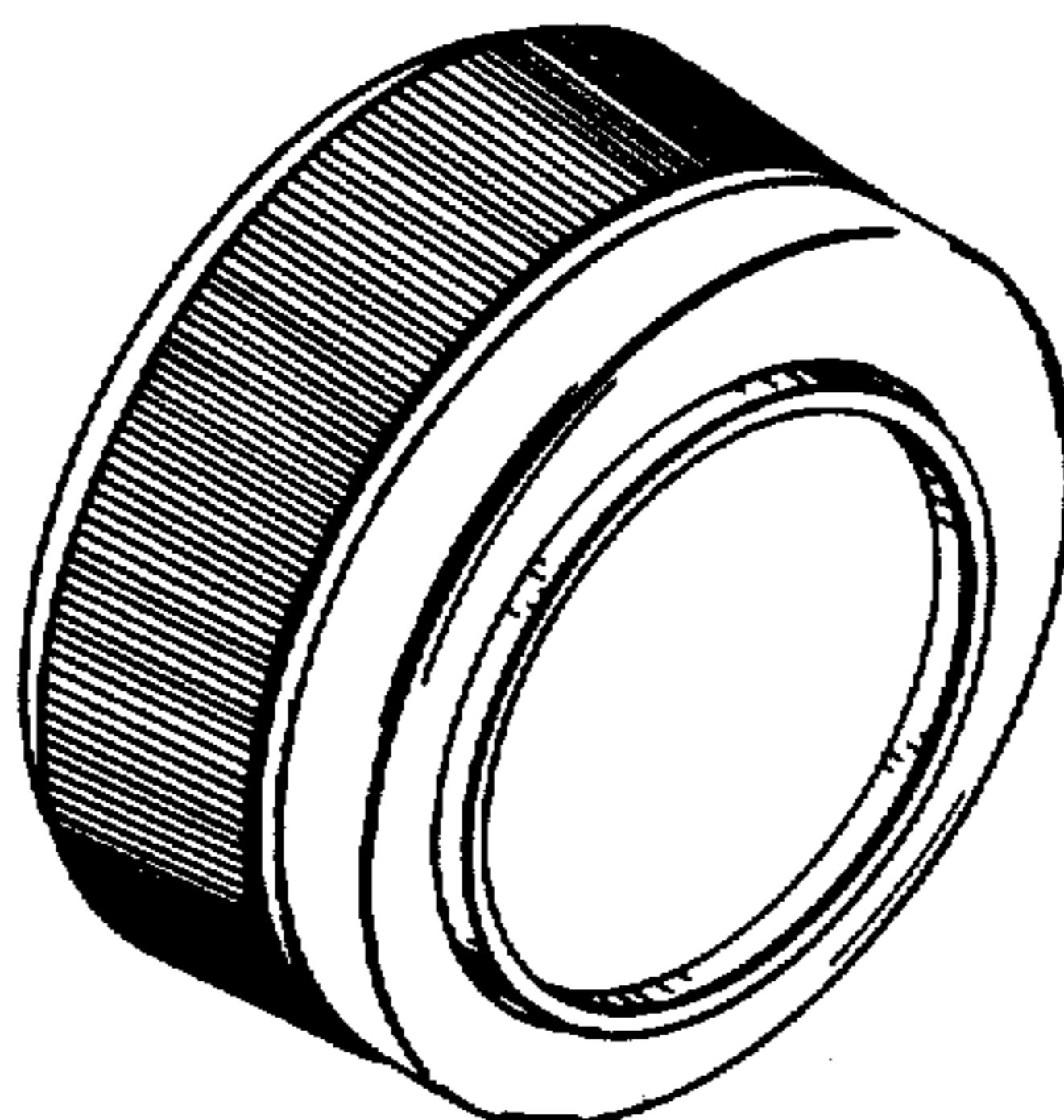
*Attorney, Agent, or Firm*—William E. Mear, III; Ernest F. Weinberger

[57] CLAIM

The ornamental design for a control knob for an office machine, as shown.

DESCRIPTION

FIG. 1 is a front perspective view of a control knob for an office machine showing my new design; and FIG. 2 is a rear perspective view thereof.



U.S. Patent

May 3, 1983

Des. 268,846

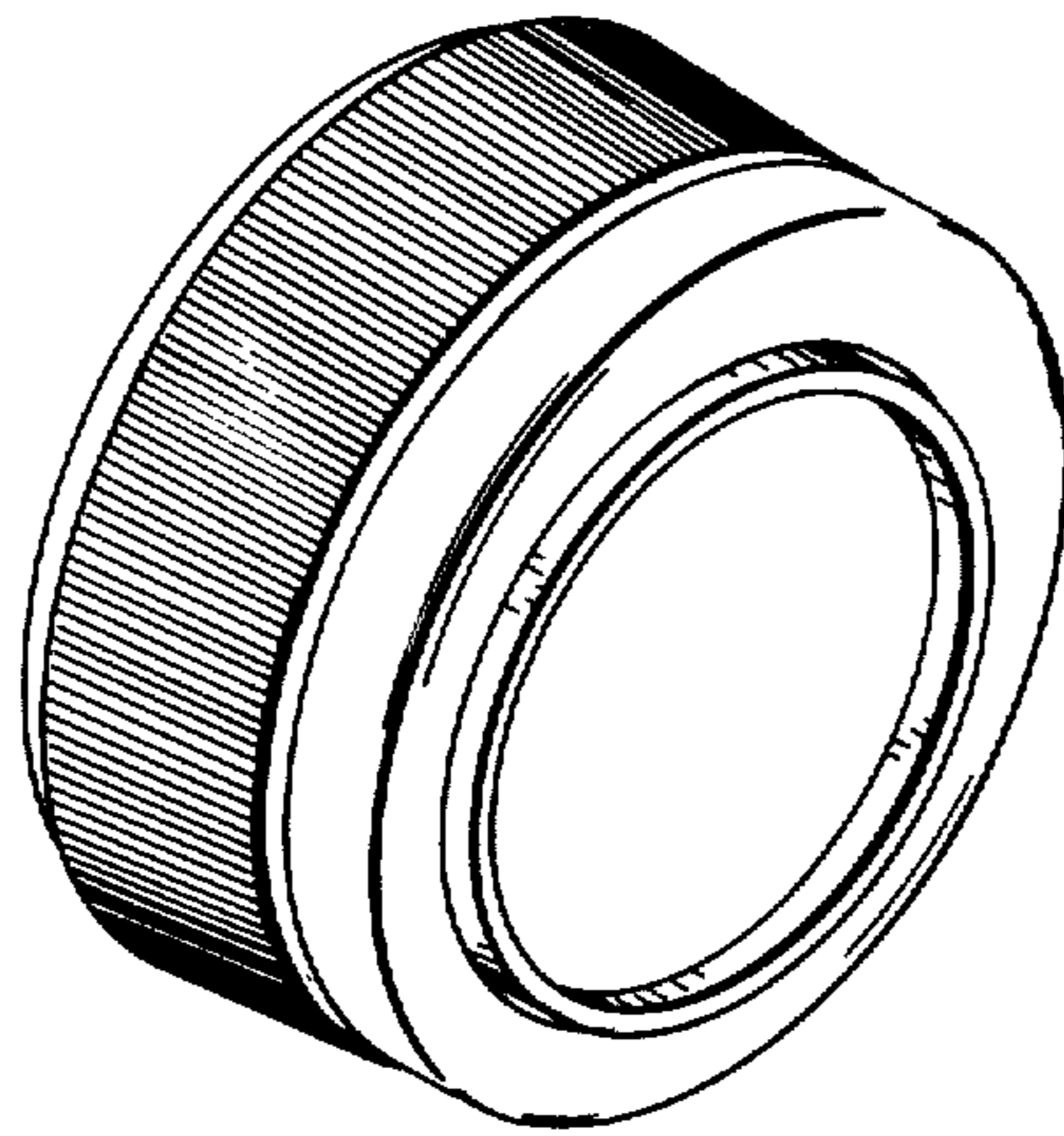


FIG 1

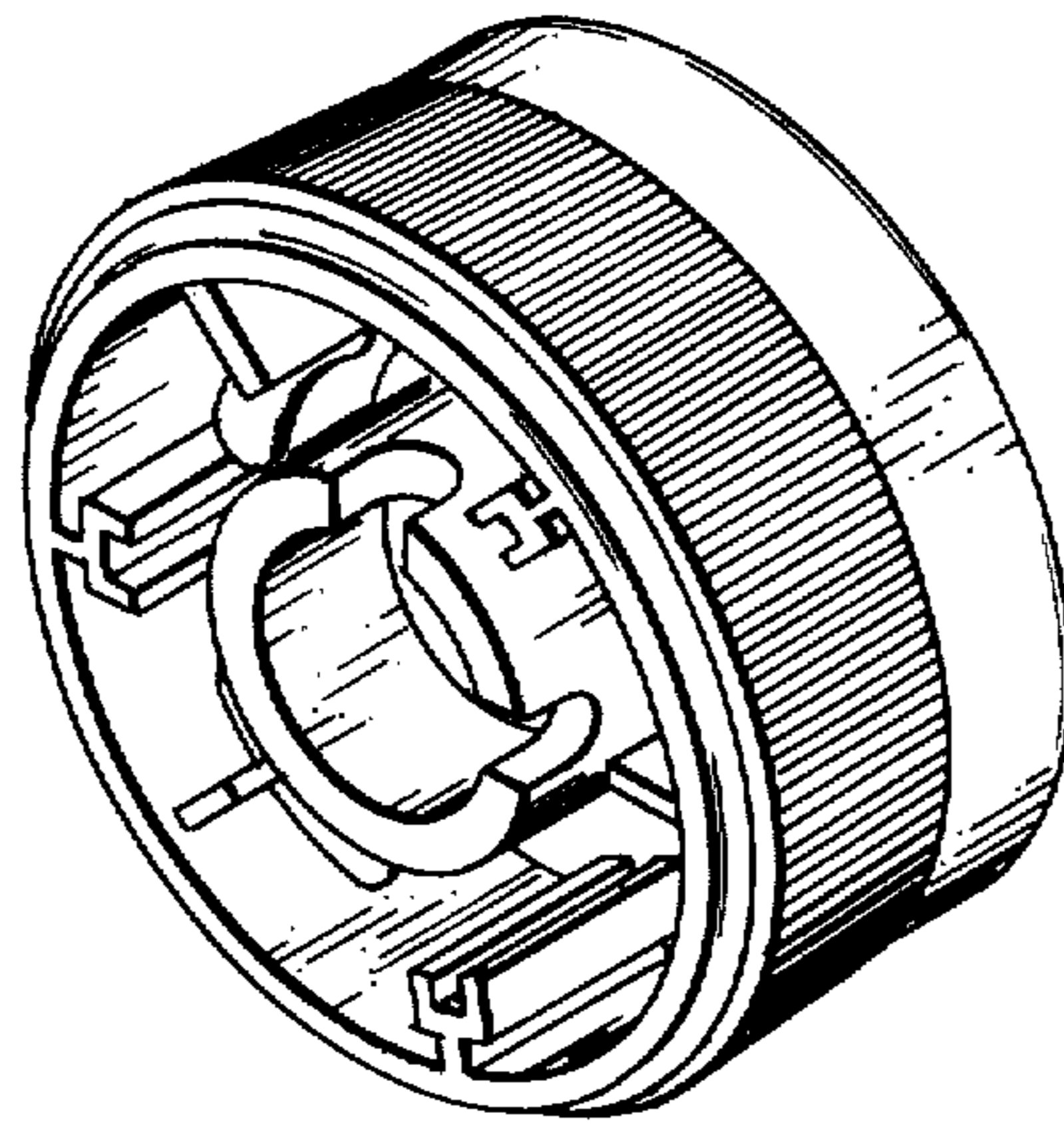


FIG 2