

[54] VIBRATO BRIDGE FOR STRINGED MUSICAL INSTRUMENTS

[76] Inventor: C. Leo Fender, 1510 Dana Pl., Fullerton, Calif. 92635

[**] Term: 14 Years

[21] Appl. No.: 165,073

[22] Filed: Jul. 1, 1980

[51] Int. Cl. D17-03

[52] U.S. Cl. D17/21

[58] Field of Search D17/14, 15, 17-21; 84/298, 299, 267

[56] References Cited

U.S. PATENT DOCUMENTS

D. 258,739	3/1981	Todd	D17/14
1,230,695	6/1917	Fickert	84/298
3,971,286	7/1976	Borell	84/298
4,236,433	12/1980	Holland	84/298 X

OTHER PUBLICATIONS

Guitars, T. & M. A. Evans, Paddington Press, N.Y., ©'77, p. 369, "Bridge Unit with Adjustable Bridge Pieces" on Fender Stratocaster.

Primary Examiner—Jane E. Corrigan
Attorney, Agent, or Firm—Philip M. Hinderstein

[57] CLAIM

The ornamental design for a vibrato bridge for stringed musical instruments, as shown and described.

DESCRIPTION

FIG. 1 is a front, top and left side perspective view of a vibrato bridge for stringed musical instruments showing my new design;

FIG. 2 is a rear, bottom and left side perspective view;

FIG. 3 is a top plan view;

FIG. 4 is a right side elevational view;

FIG. 5 is a rear elevational view.

The broken line structure is environmental and is not part of the claimed design.

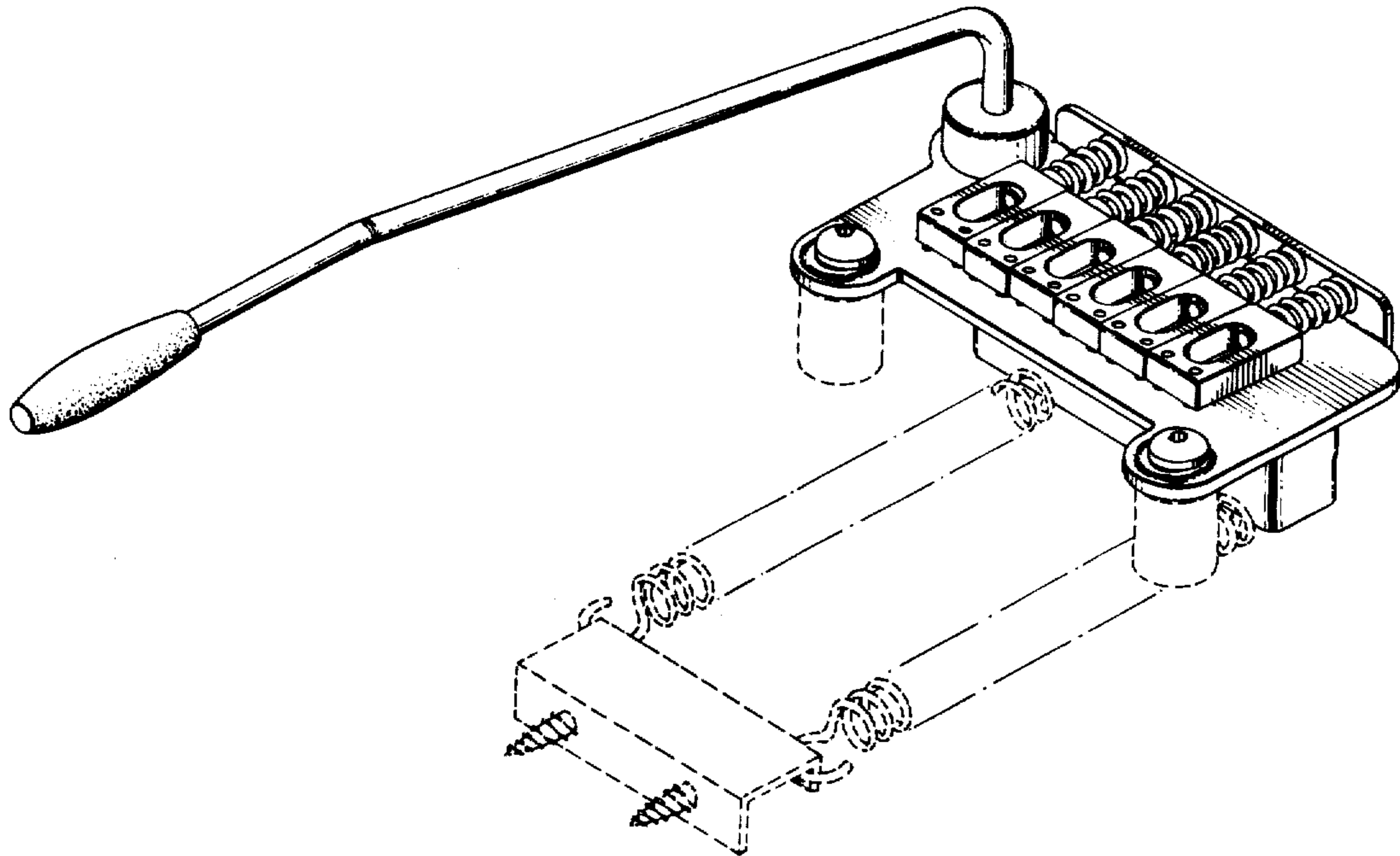


FIG. 1.

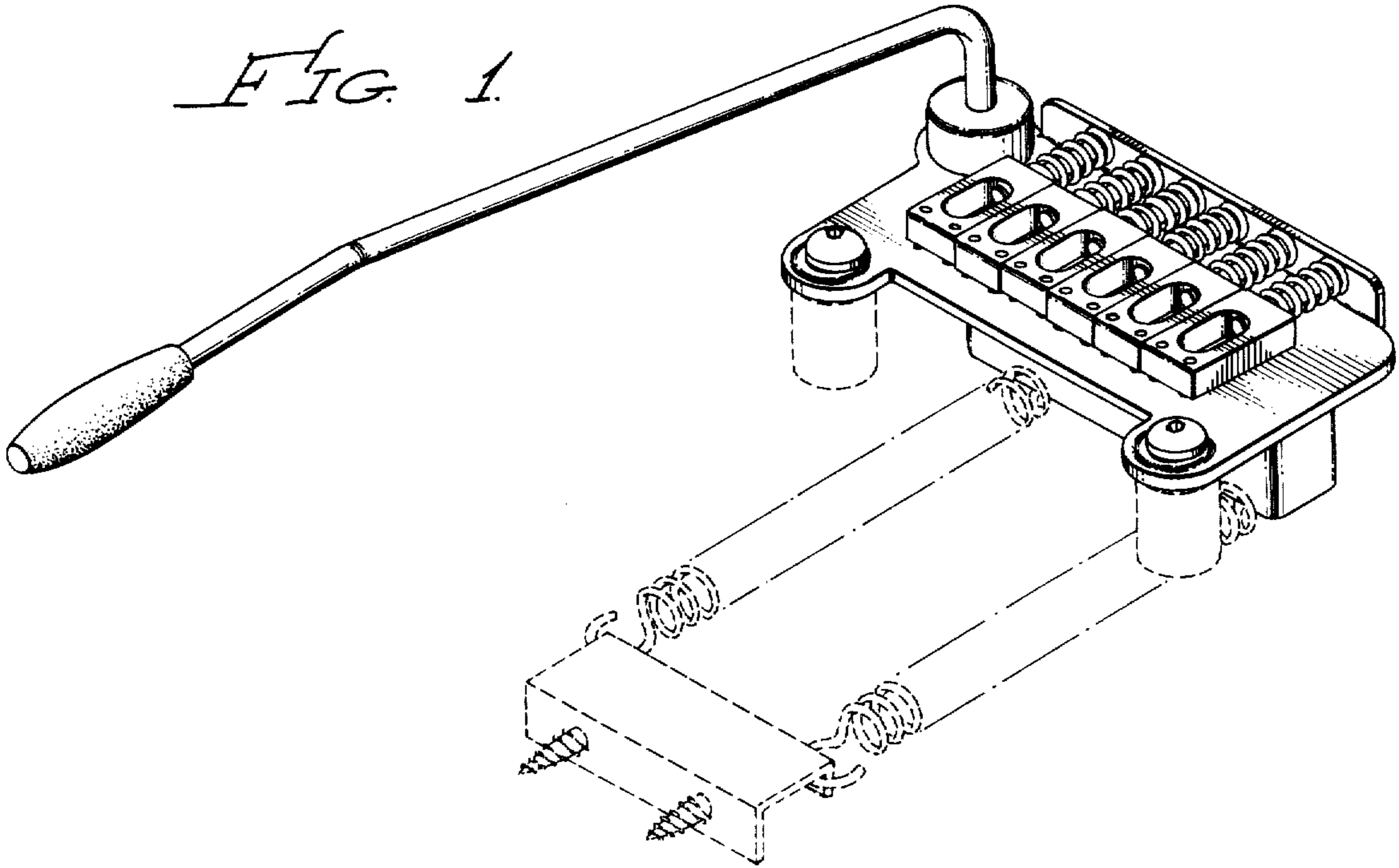


FIG. 2.

