

[54] HEAT SENSITIVE SWITCH
 [76] Inventor: Brent A. Pennington, 833 Southway Cir., Fort Worth, Tex. 76115
 [**] Term: 14 Years
 [21] Appl. No.: 199,692
 [22] Filed: Oct. 23, 1980
 [51] Int. Cl. D13-03
 [52] U.S. Cl. D13/32; D13/37
 [58] Field of Search D13/32; 200/6 R, 6 A, 200/293, 295, 296, 297, 310, 313, 314, 329, 339, 332, 340; 337/20, 398, 298, 299, 300, 307, 312

2,087,024 7/1937 Dezotell 337/343
 2,510,021 5/1950 Kaminky 337/398 X
 2,681,964 6/1954 Rodden 337/298 X

Primary Examiner—Susan J. Lucas
 Attorney, Agent, or Firm—James E. Bradley

[56] References Cited
 U.S. PATENT DOCUMENTS
 D. 249,140 8/1978 Driscoll D13/32

[57] CLAIM
 The ornamental design for a heat sensitive switch, as shown and described.

DESCRIPTION
 FIG. 1 is a front perspective view of a heat sensitive switch showing my new design;
 FIG. 2 is a right side view thereof on an enlarged scale;
 FIG. 3 is a left side view thereof on an enlarged scale;
 FIG. 4 is a rear view thereof on an enlarged scale;
 FIGS. 5 and 6 are respectively top and bottom views thereof on an enlarged scale.

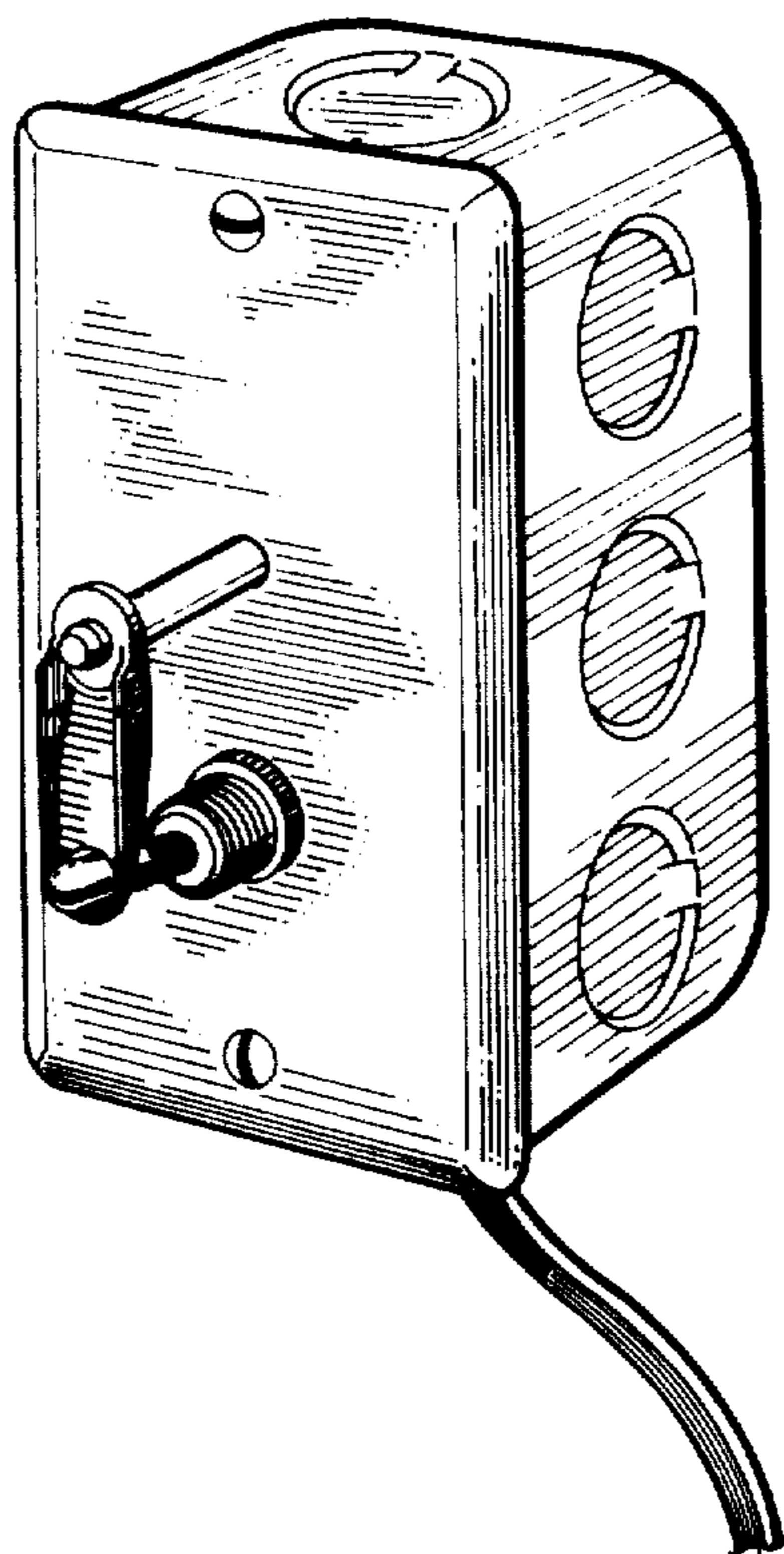


Fig. 1

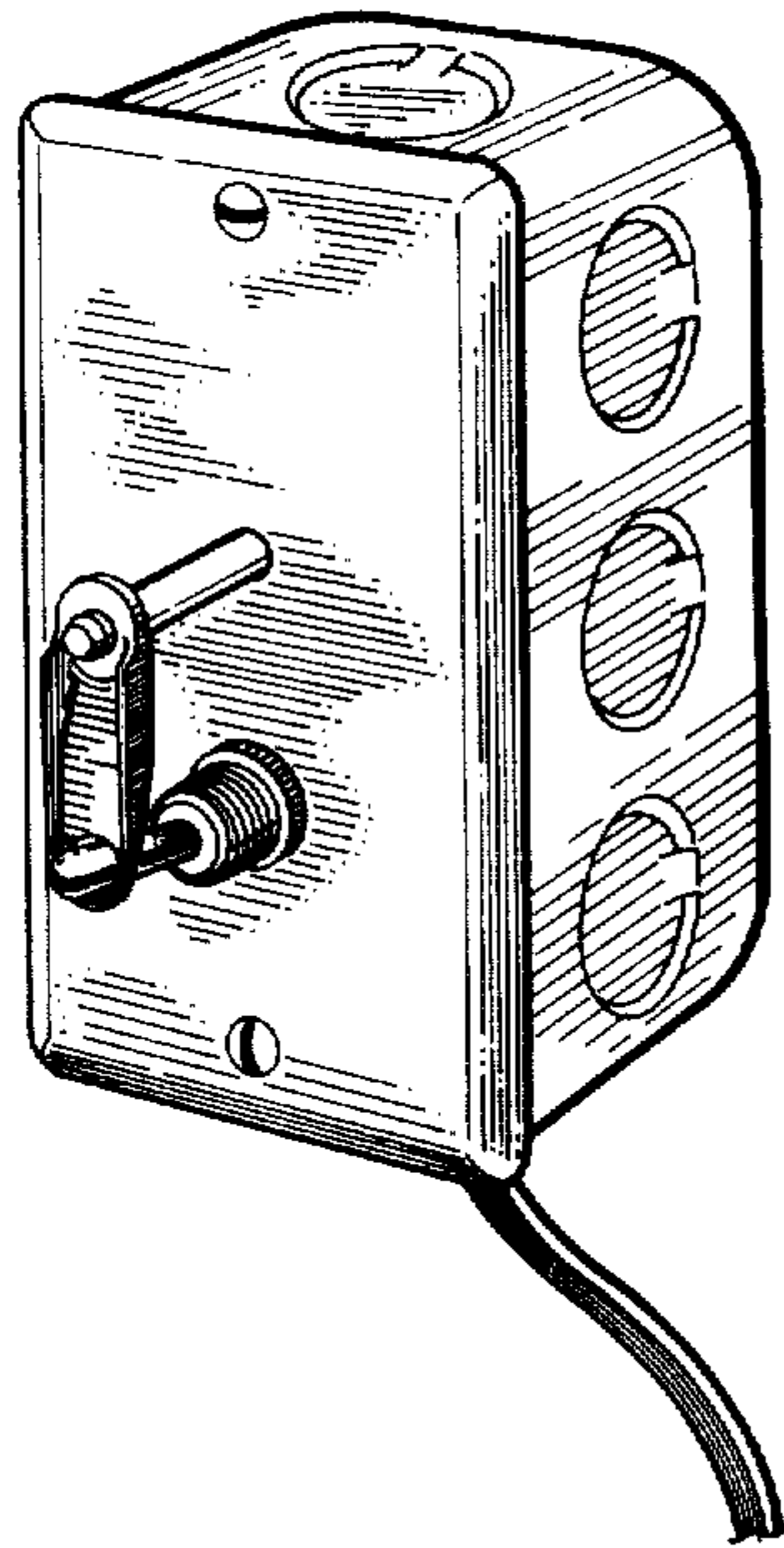


Fig. 2

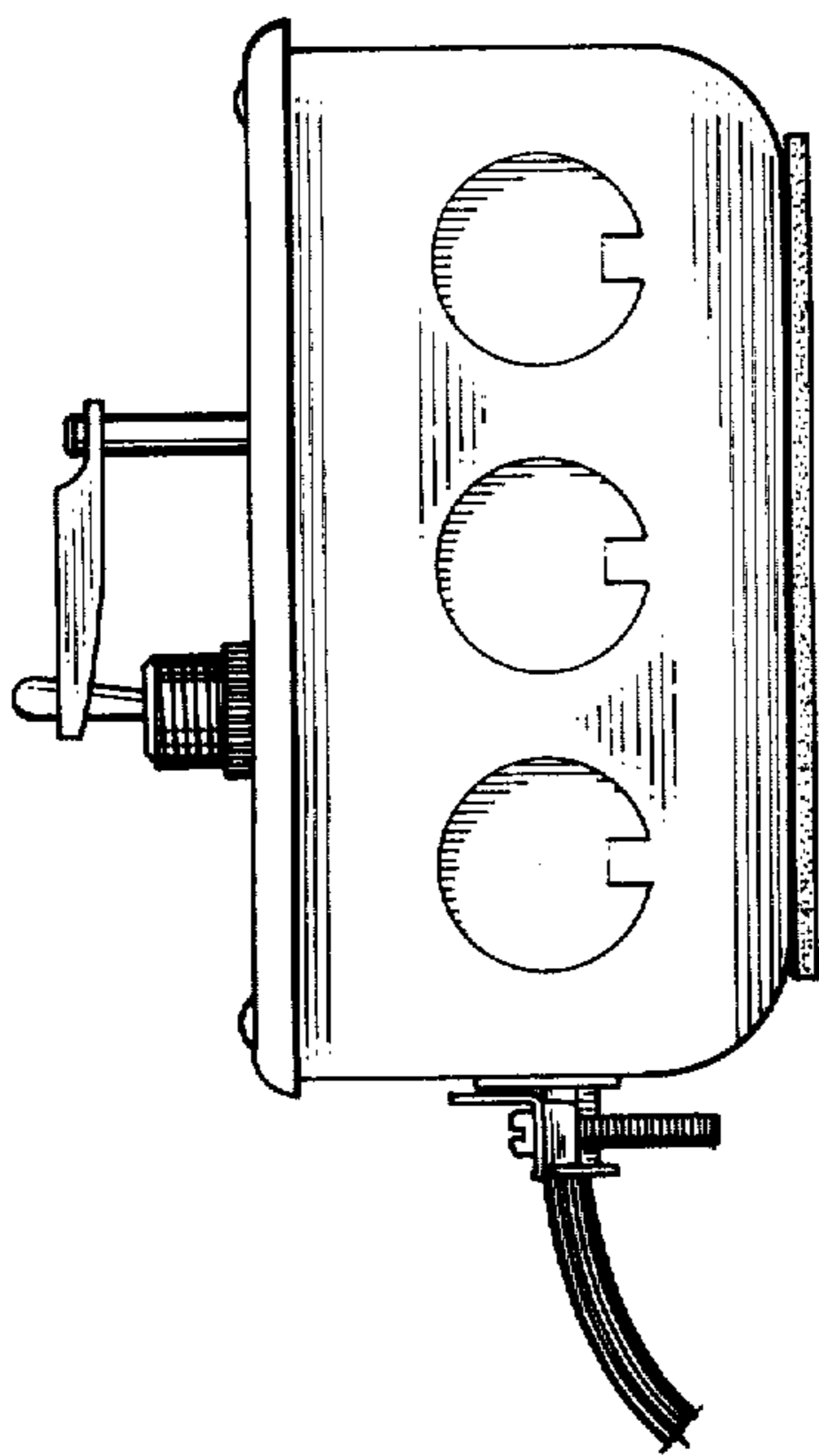


Fig. 3

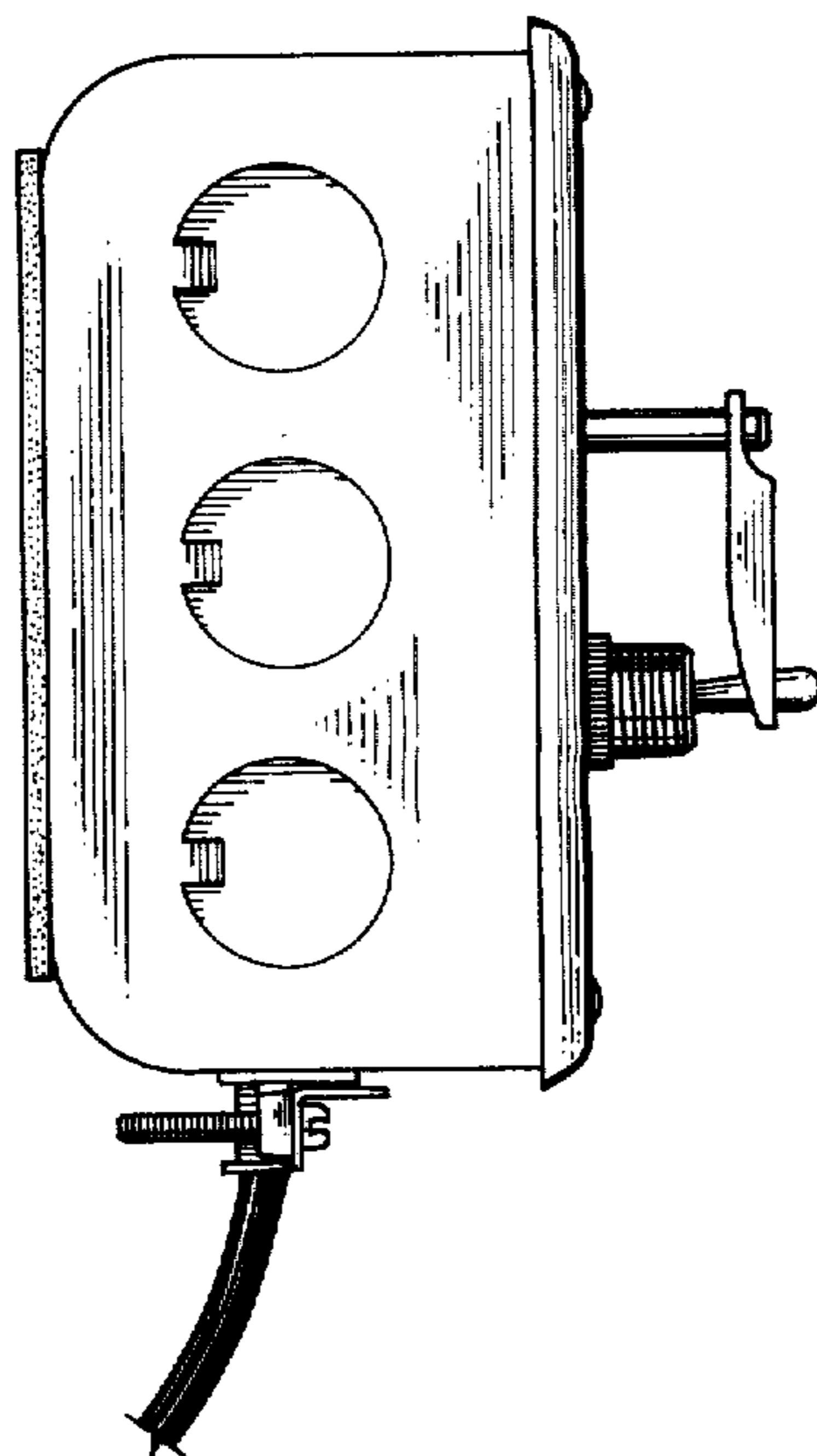


Fig. 4

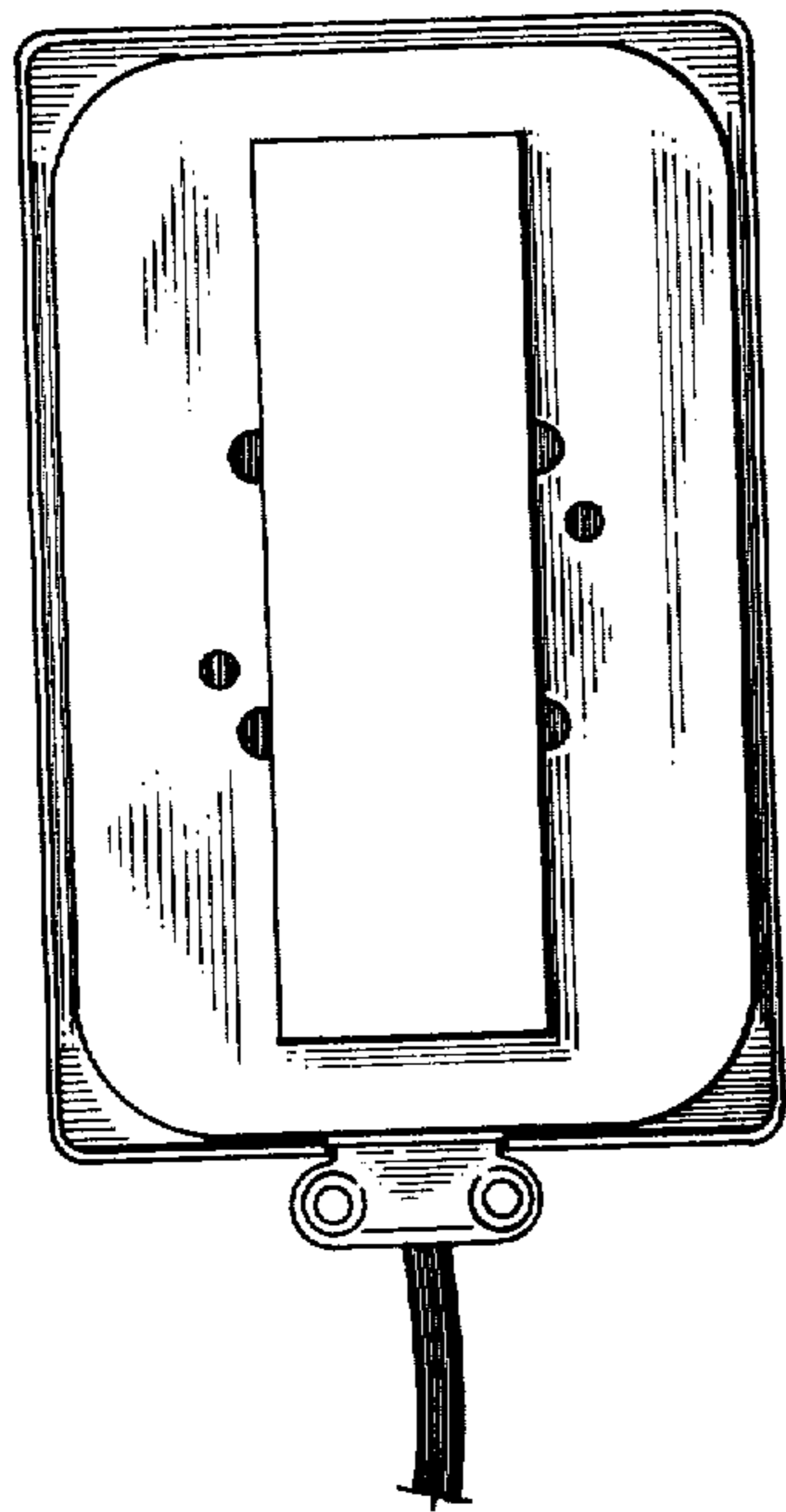


Fig. 5

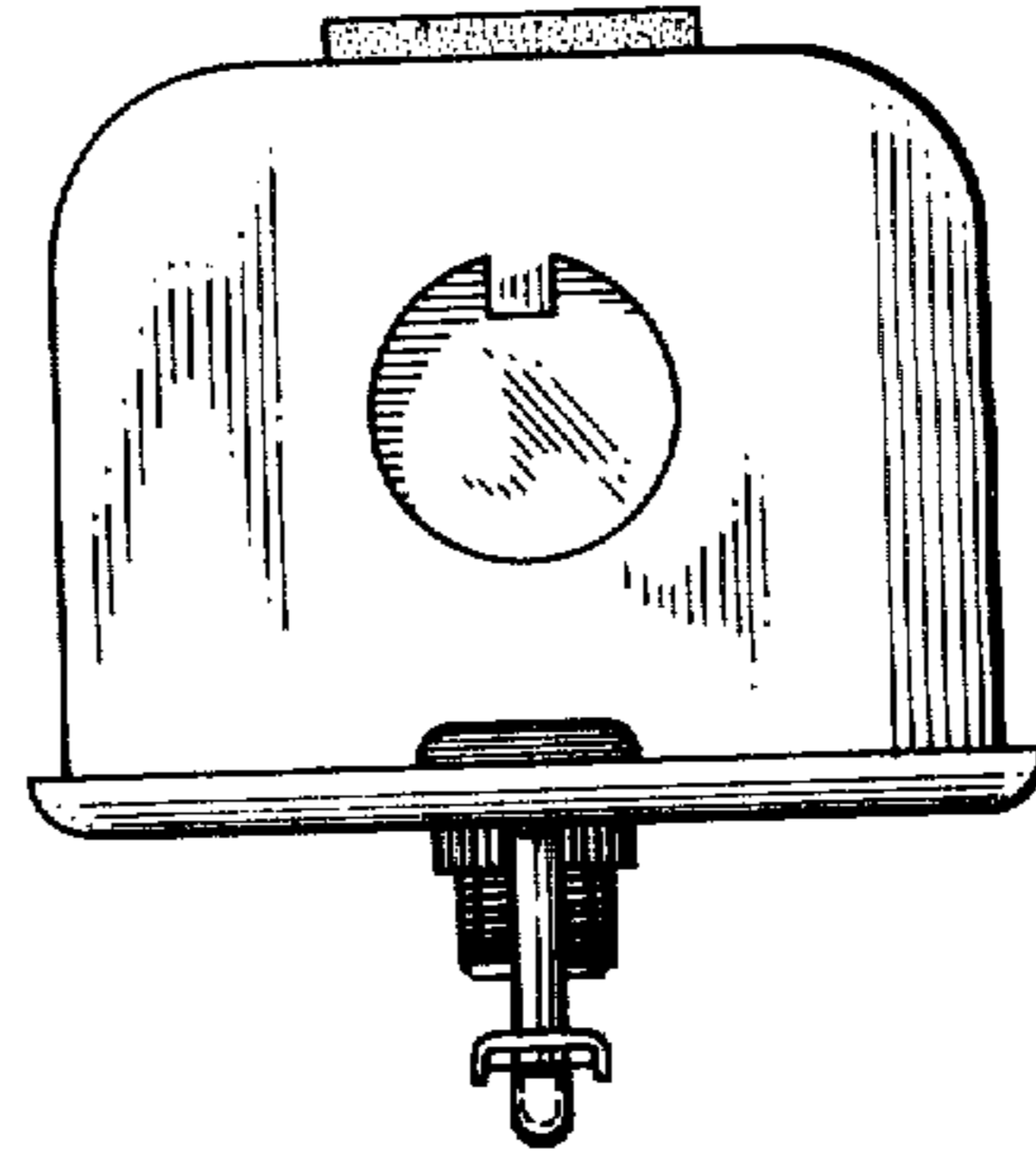


Fig. 6

