

[54] **FLOATING GOLD DREDGE**

[75] **Inventors:** Donald L. Albright, Auburn; Wade E. Hampton, Rio Linda; Guy D. Schroeder, New Castle, all of Calif.

[73] **Assignee:** Rainbow Mining and Manufacturing, Incorporated, New Castle, Calif.

[**] **Term:** 14 Years

[21] **Appl. No.:** 187,197

[22] **Filed:** Sep. 15, 1980

[51] **Int. Cl.** D12-13

[52] **U.S. Cl.** D12/300

[58] **Field of Search** D12/1, 300, 314

[56] **References Cited**

U.S. PATENT DOCUMENTS

D. 208,836 10/1967 Talbott D12/300

Primary Examiner—Alan P. Douglas
Attorney, Agent, or Firm—Lothrop & West

[57] **CLAIM**

The ornamental design for a floating gold dredge, as shown .

DESCRIPTION

FIG. 1 is a right front perspective view of the floating gold dredge, showing my new design;

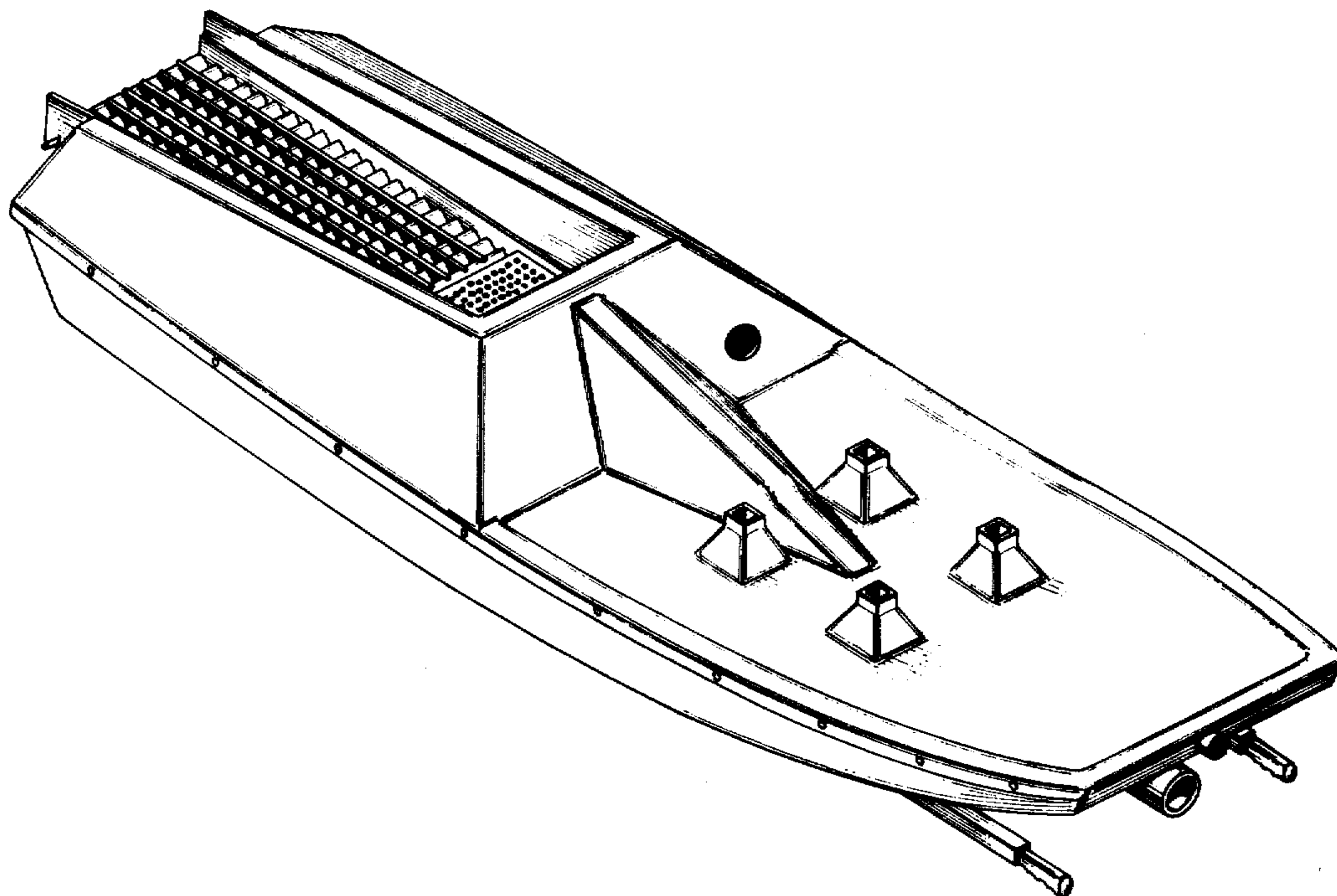
FIG. 2 is a top plan view;

FIG. 3 is a side elevational view, the other side elevational view being substantially a mirror image thereof;

FIG. 4 is a bottom plan view;

FIG. 5 is a front end elevational view; and,

FIG. 6 is a rear end elevation view.



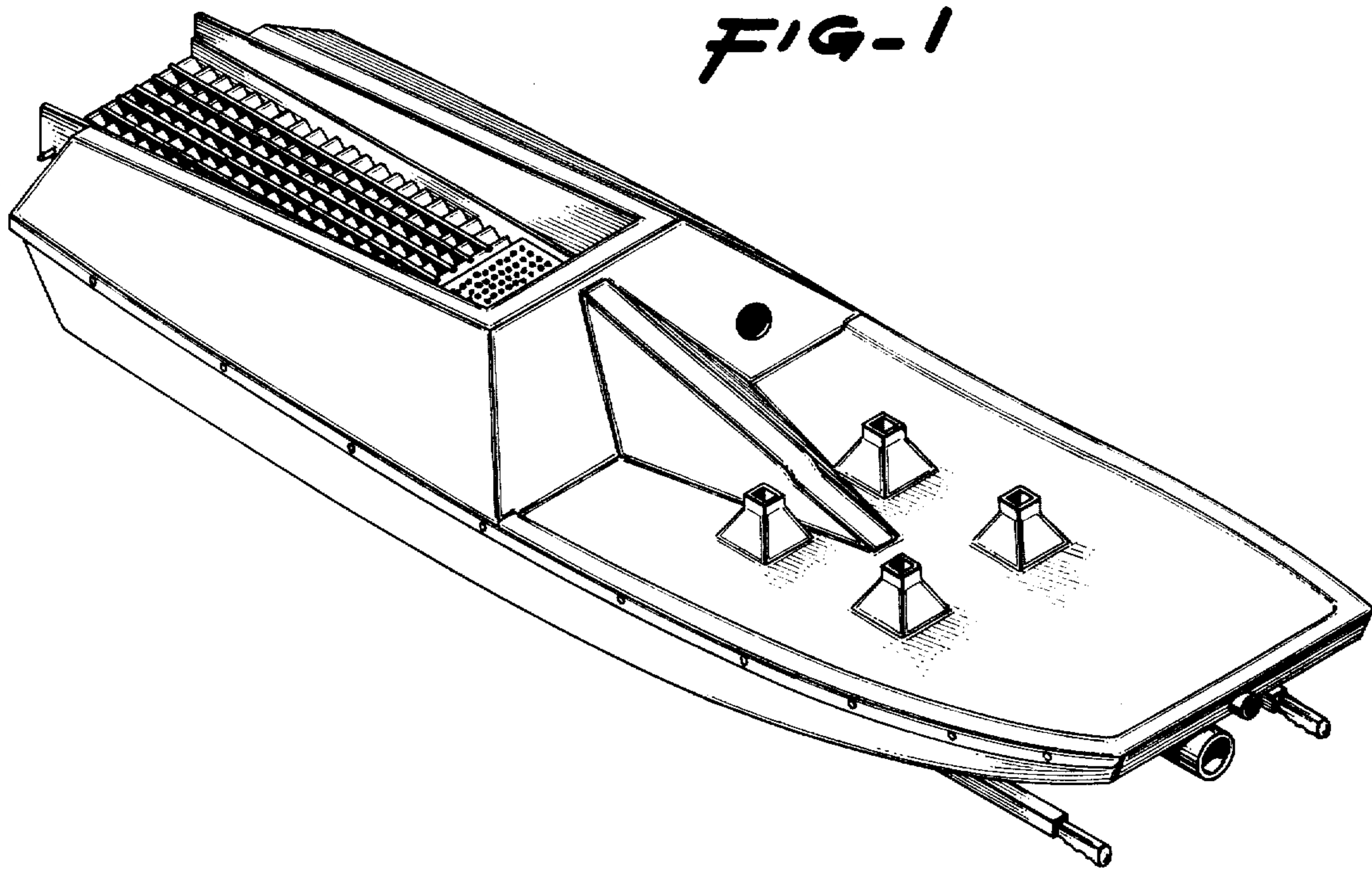


FIG-2

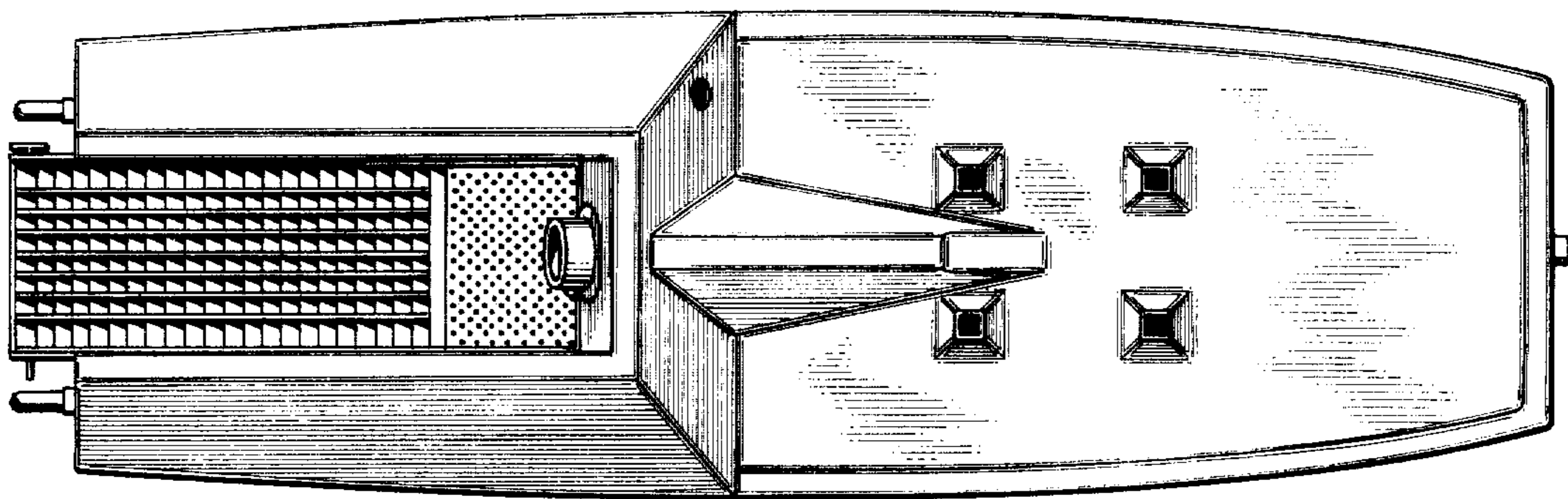


FIG-3

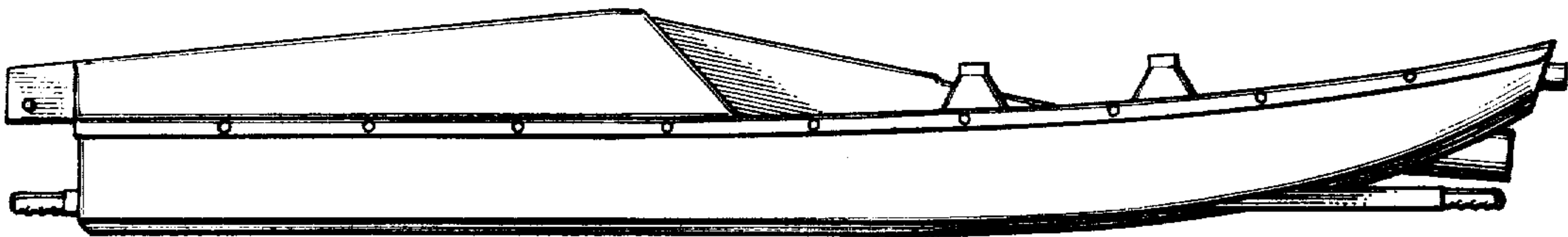


FIG-4

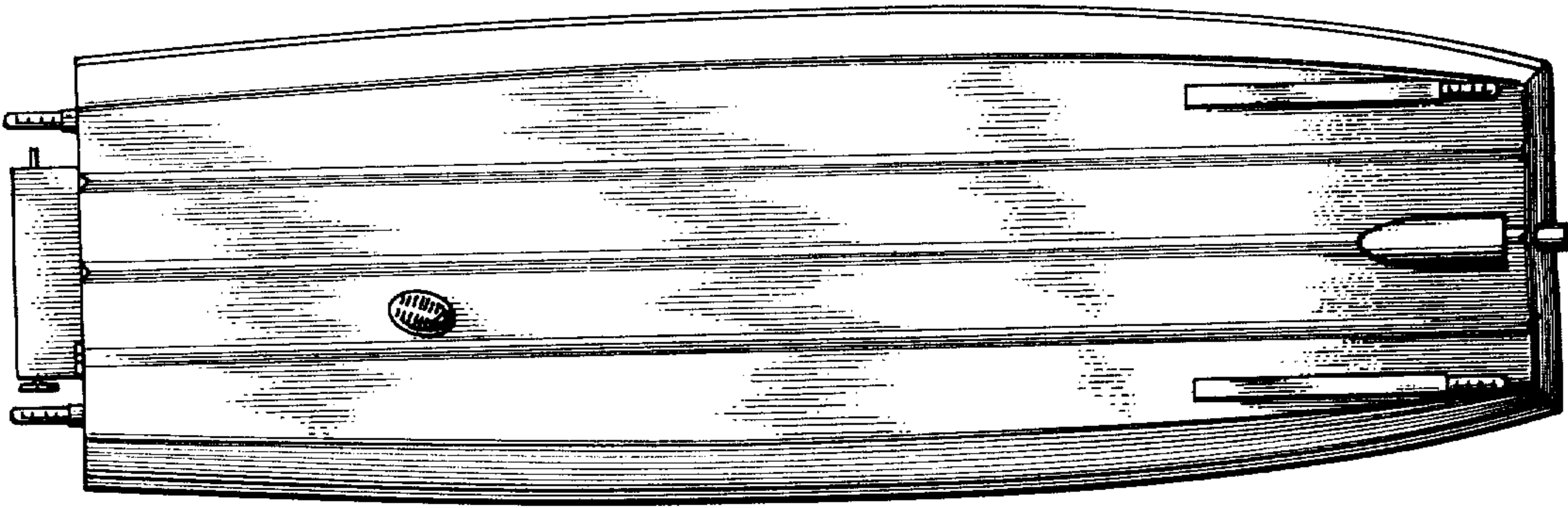


FIG-5

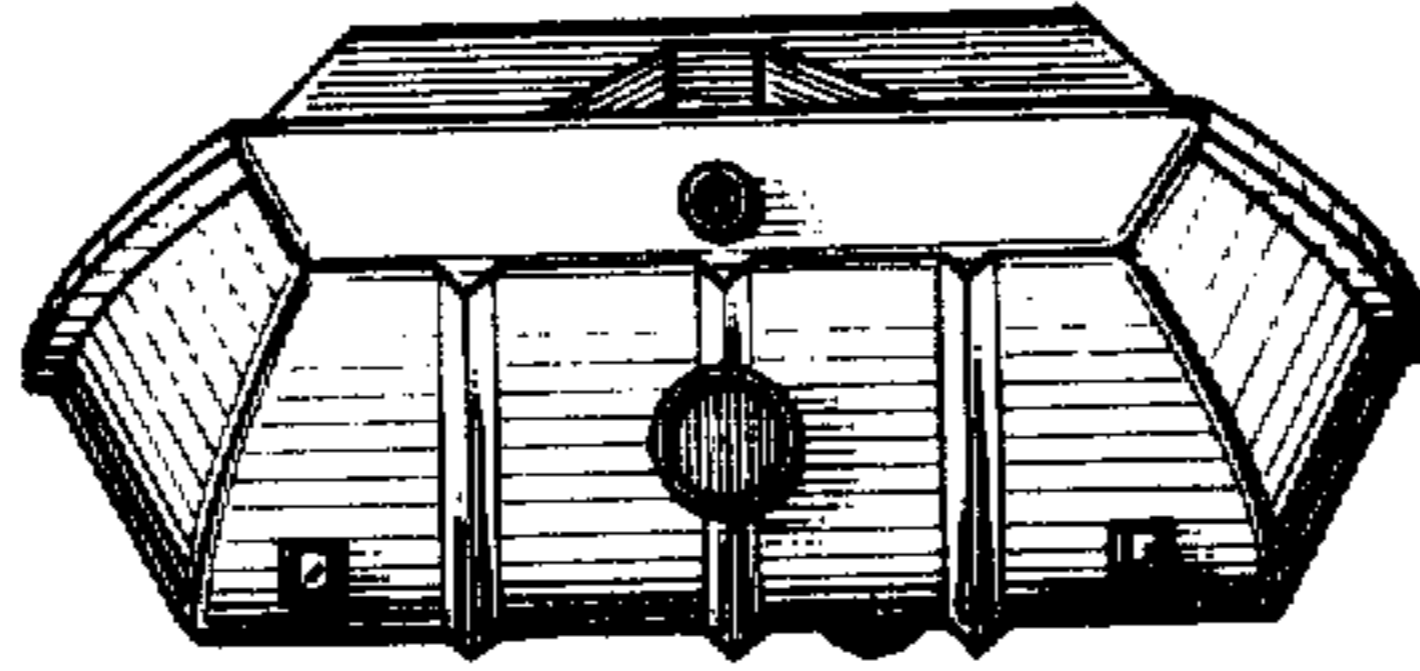


FIG-6

