

[54] **EXCHANGE PLATFORM FRAME FOR MOUNTING ON THE FRAME OF A TRUCK OR THE LIKE**

[75] Inventor: **Leo Sutela, Turku, Finland**

[73] Assignee: **Oy Partek AB, Finland**

[**] Term: **14 Years**

[21] Appl. No.: **178,366**

[22] Filed: **Aug. 15, 1980**

[30] **Foreign Application Priority Data**

Apr. 11, 1980 [FI] Finland 288/80

[51] Int. Cl. **D12-16**

[52] U.S. Cl. **D12/93**

[58] Field of Search **D34/3, 28; D12/15, 93, D12/155; 414/498, 421, 546, 549**

[56] **References Cited**

U.S. PATENT DOCUMENTS

4,225,281 9/1980 Bibeau et al. 414/498
4,290,726 9/1981 Sutela et al. 414/498

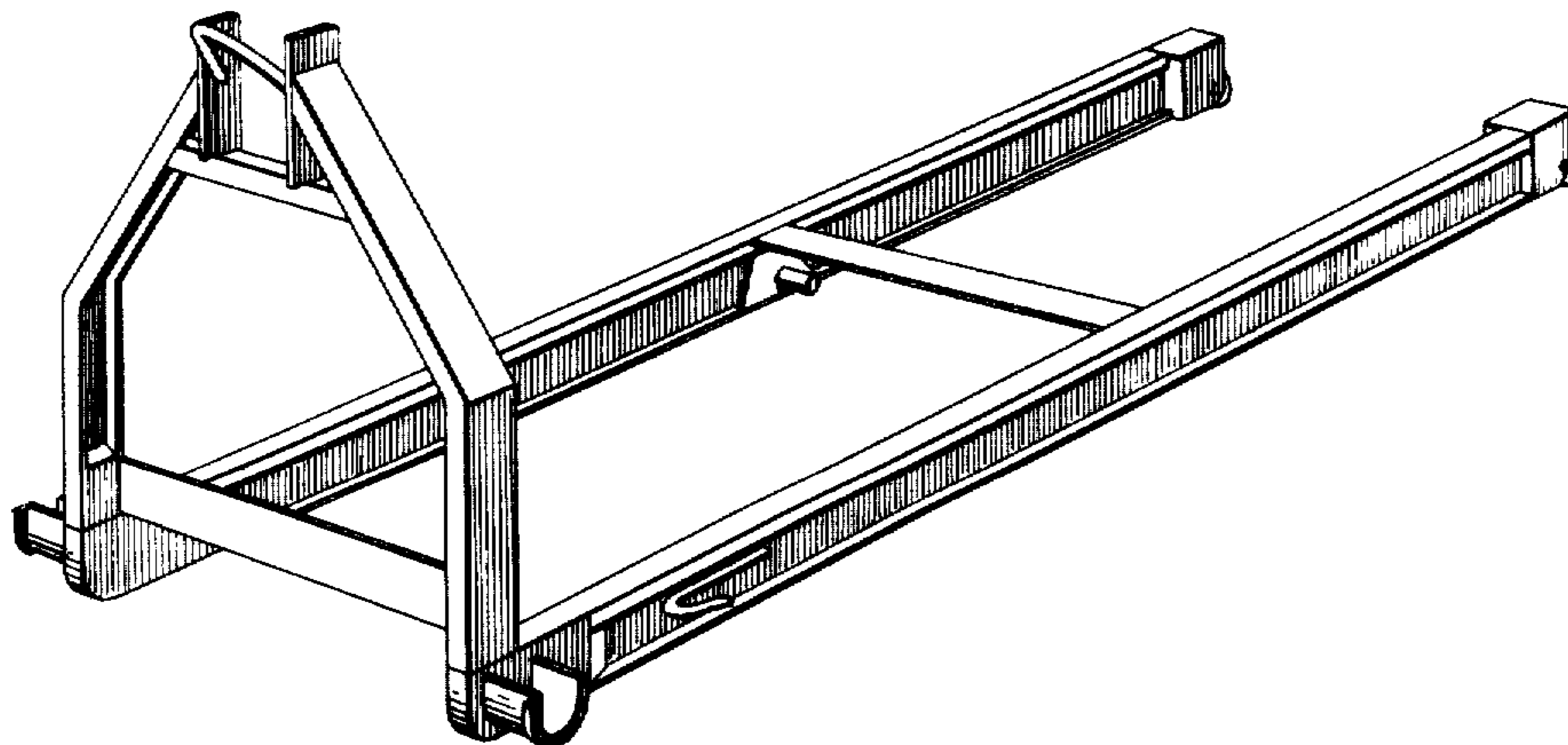
Primary Examiner—James M. Gandy
Attorney, Agent, or Firm—Burns, Doane, Swecker & Mathis

[57] **CLAIM**

The ornamental design for an exchange platform frame for mounting on the frame of a truck or the like, as shown.

DESCRIPTION

FIG. 1 is a perspective view of an exchange platform frame for mounting on the frame of a truck or the like embodying my ornamental design; FIG. 2 is a top plan view thereof; FIG. 3 is a right side elevational view thereof; FIG. 4 is a bottom plan view thereof; and FIG. 5 is a rear end elevational view thereof.



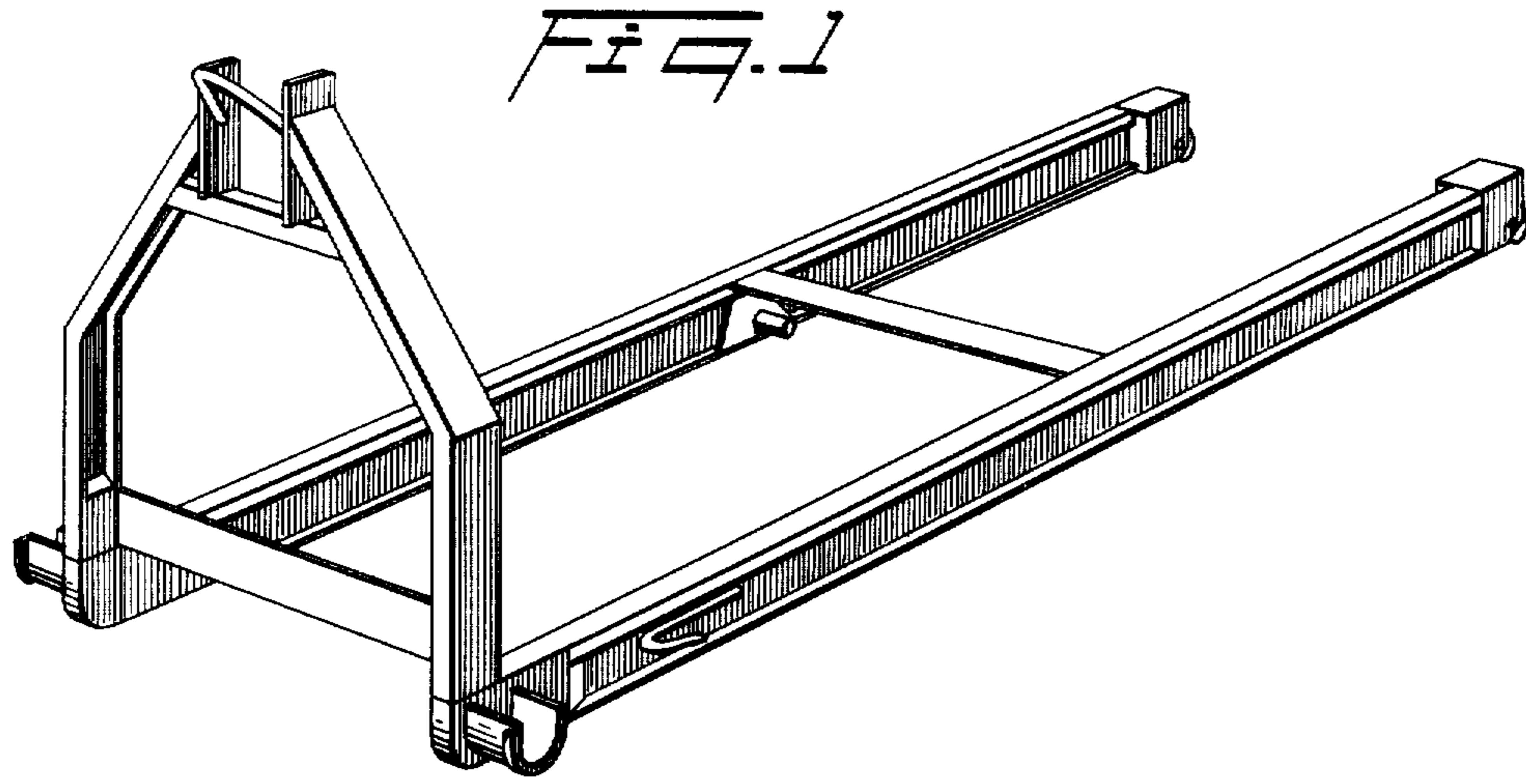


FIG. 2

