

[54] **MINI-VEHICLE**

[76] **Inventors:** Jean Dassesse, Avenue des Ormeaux, 24; Jacques Wybauw, Avenue Brunard, 41, both of Brussels, Belgium

[**] **Term:** 14 Years

[21] **Appl. No.:** 185,573

[22] **Filed:** Sep. 9, 1980

[30] **Foreign Application Priority Data**

Mar. 10, 1980 [XB] Benelux 2126

[51] **Int. Cl.** D12-08

[52] **U.S. Cl.** D12/91; D21/136

[58] **Field of Search** D12/86, 90, 91; D21/136; 296/185

[56] **References Cited**

U.S. PATENT DOCUMENTS

D. 246,299 11/1977 Haggard D12/90

OTHER PUBLICATIONS

Washington Post, 2/18/73, p. H1, The Witkar Vehicle.
Motor Trend, 4/79, p. 29, Vehicle, top left side of page.

Primary Examiner—James M. Gandy

[57] **CLAIM**

The ornamental design for a mini-vehicle, as shown and described.

DESCRIPTION

FIG. 1 is a front elevational view of a mini-vehicle according to our new design;

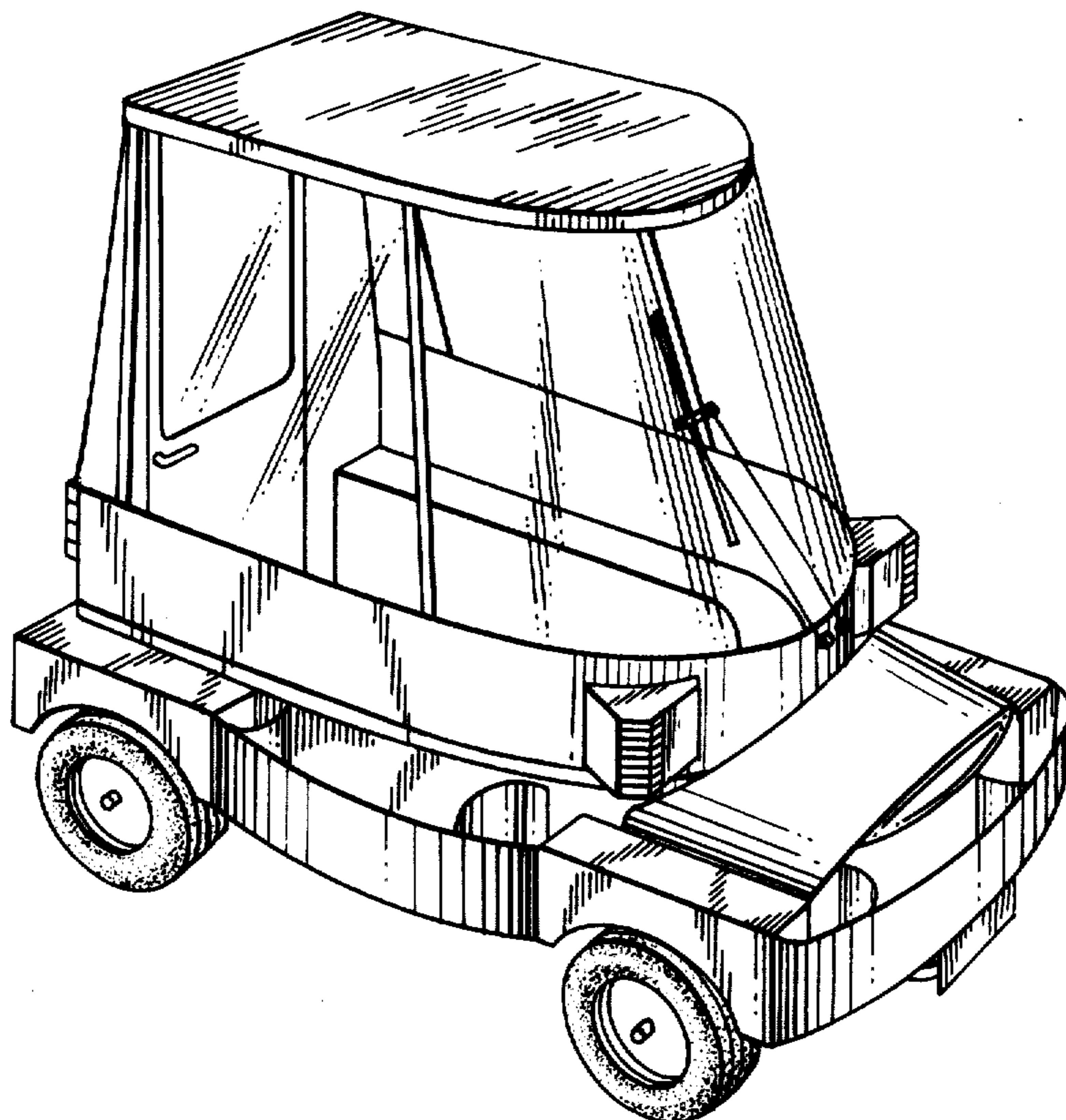
FIG. 2 is a rear elevational view thereof;

FIG. 3 is a right side elevational view thereof;

FIG. 4 is a left side elevational view thereof;

FIG. 5 is a perspective view taken from the top, front, and right side thereof;

FIG. 6 is a perspective view taken from the bottom, rear and right side thereof.



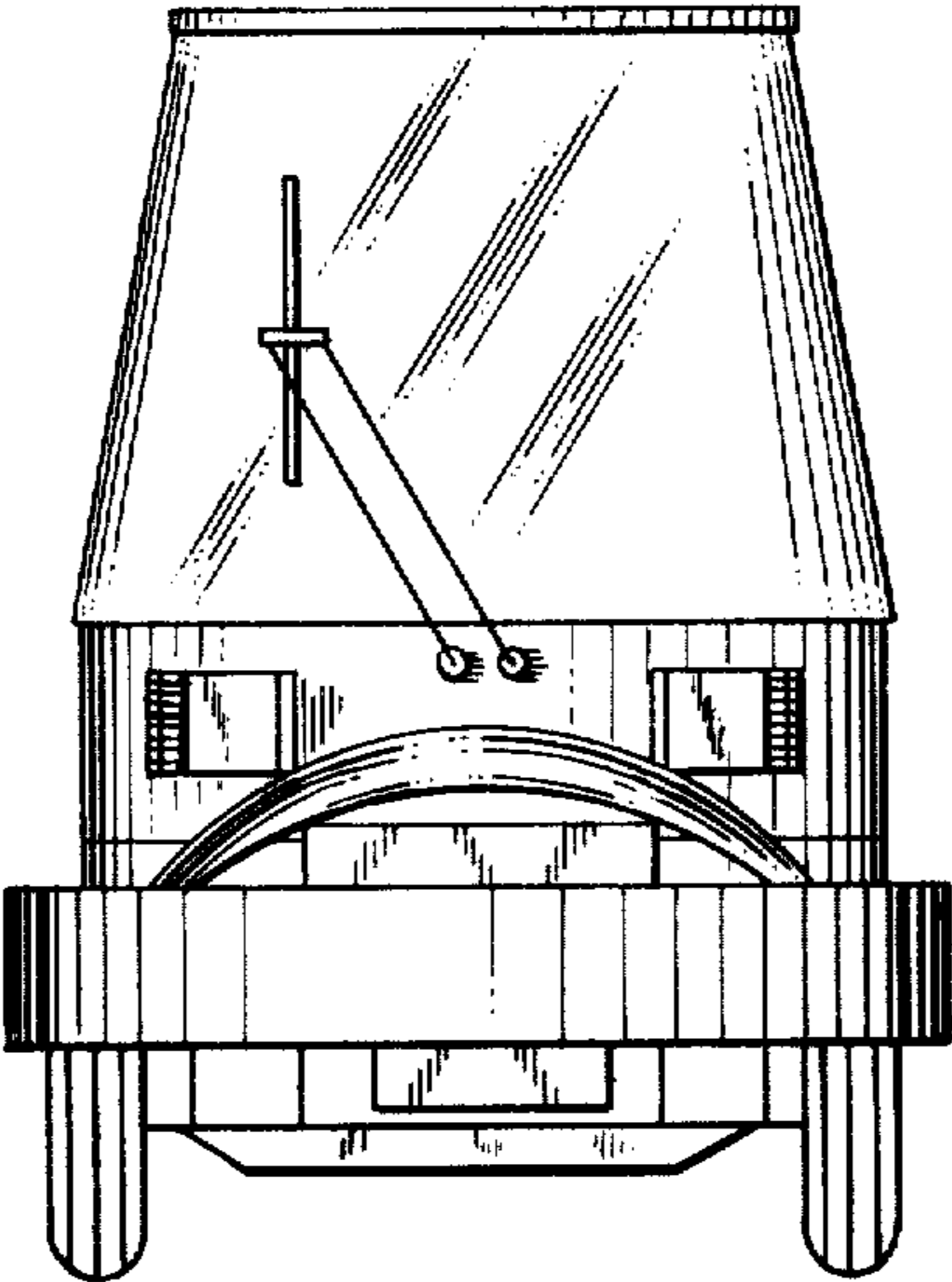


FIG. 1

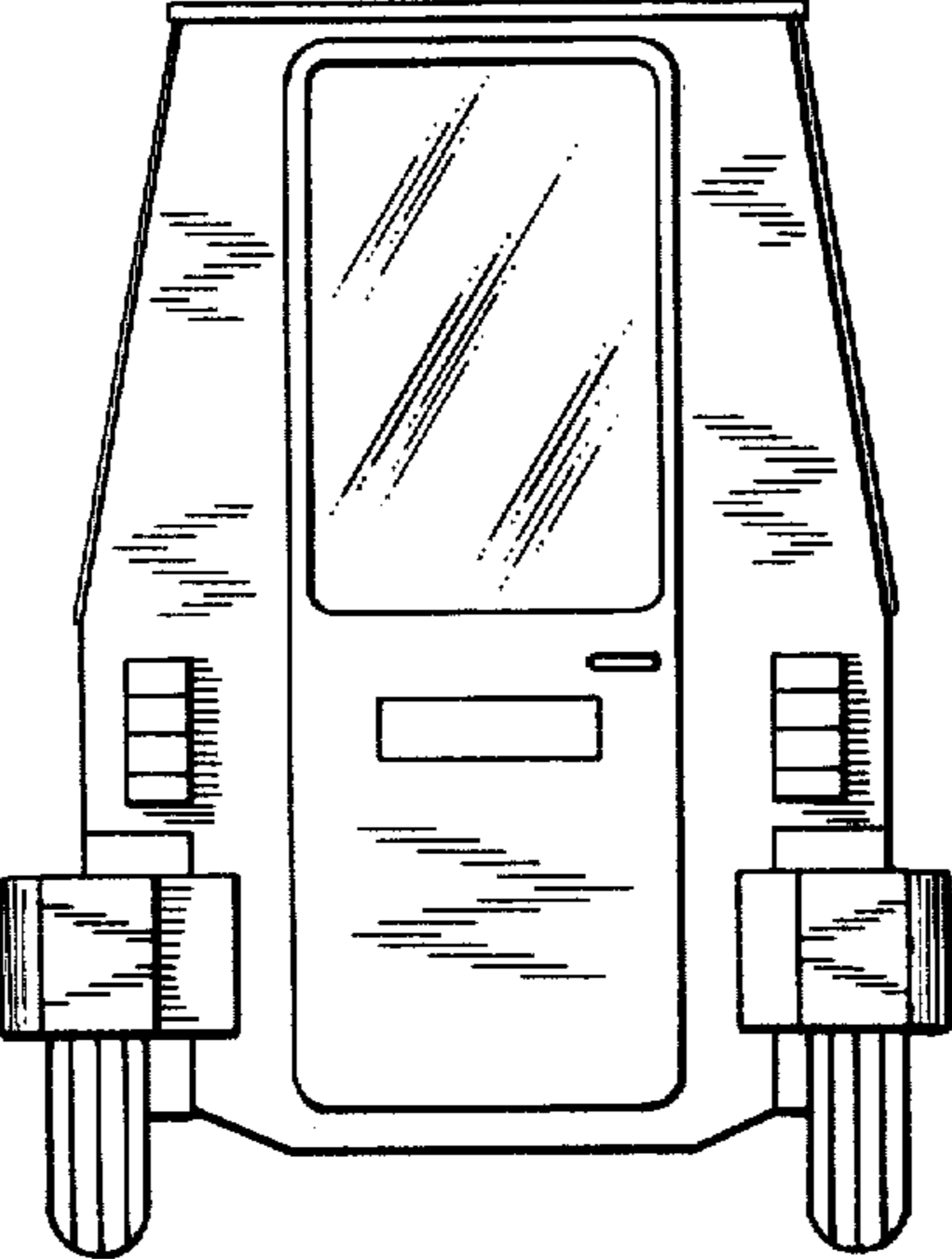


FIG. 2

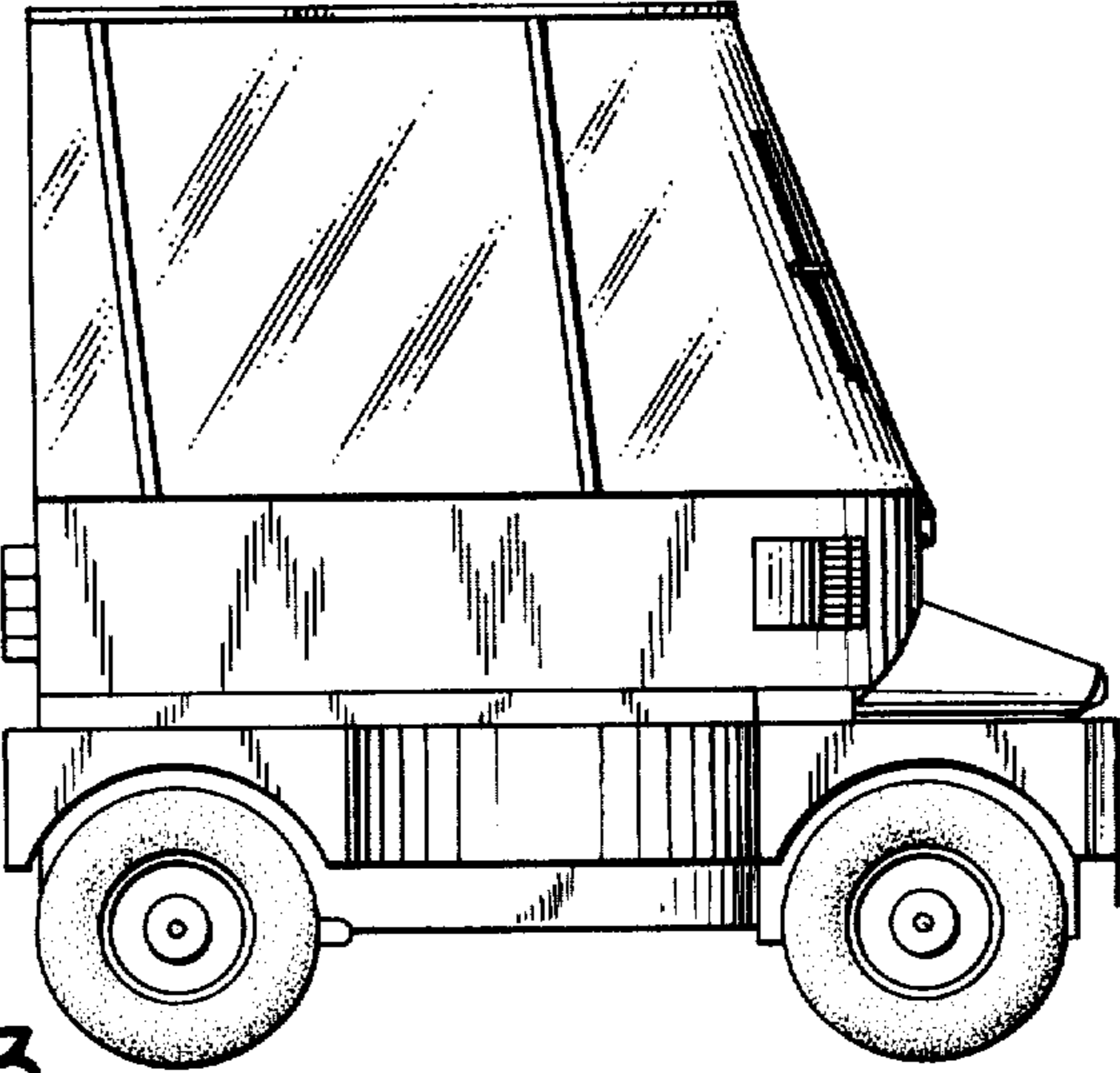


FIG. 3

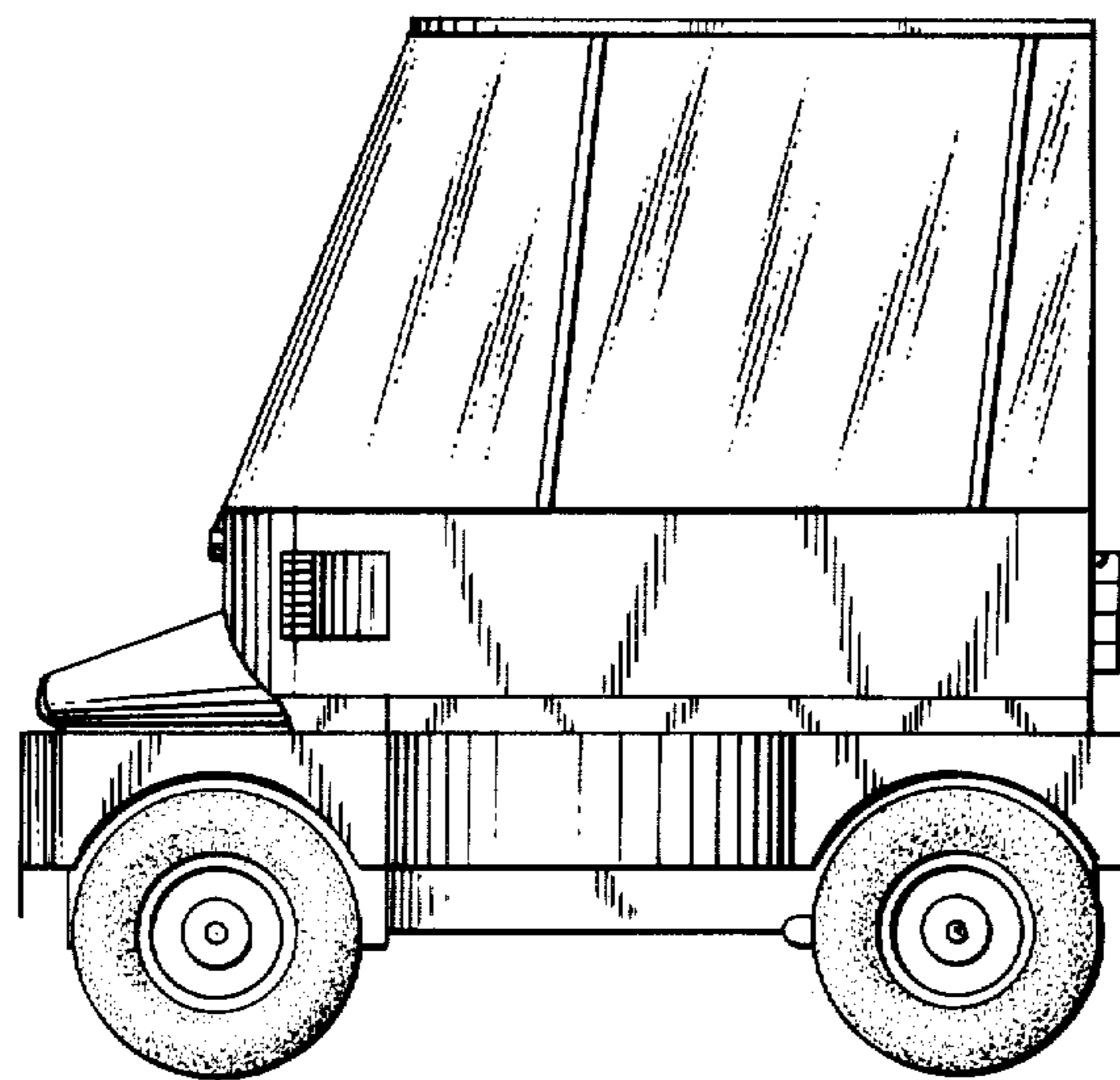


FIG. 4

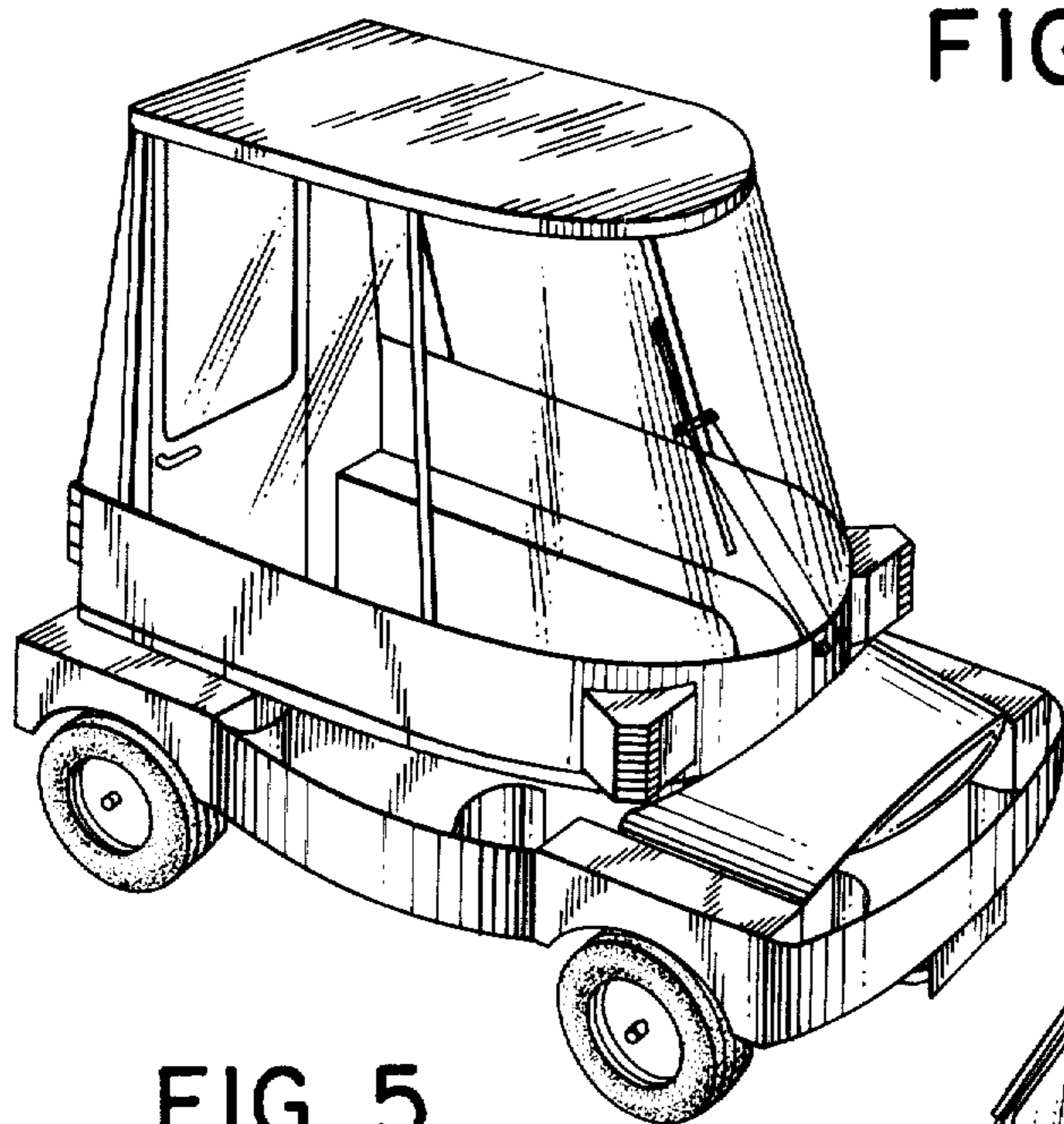


FIG. 5

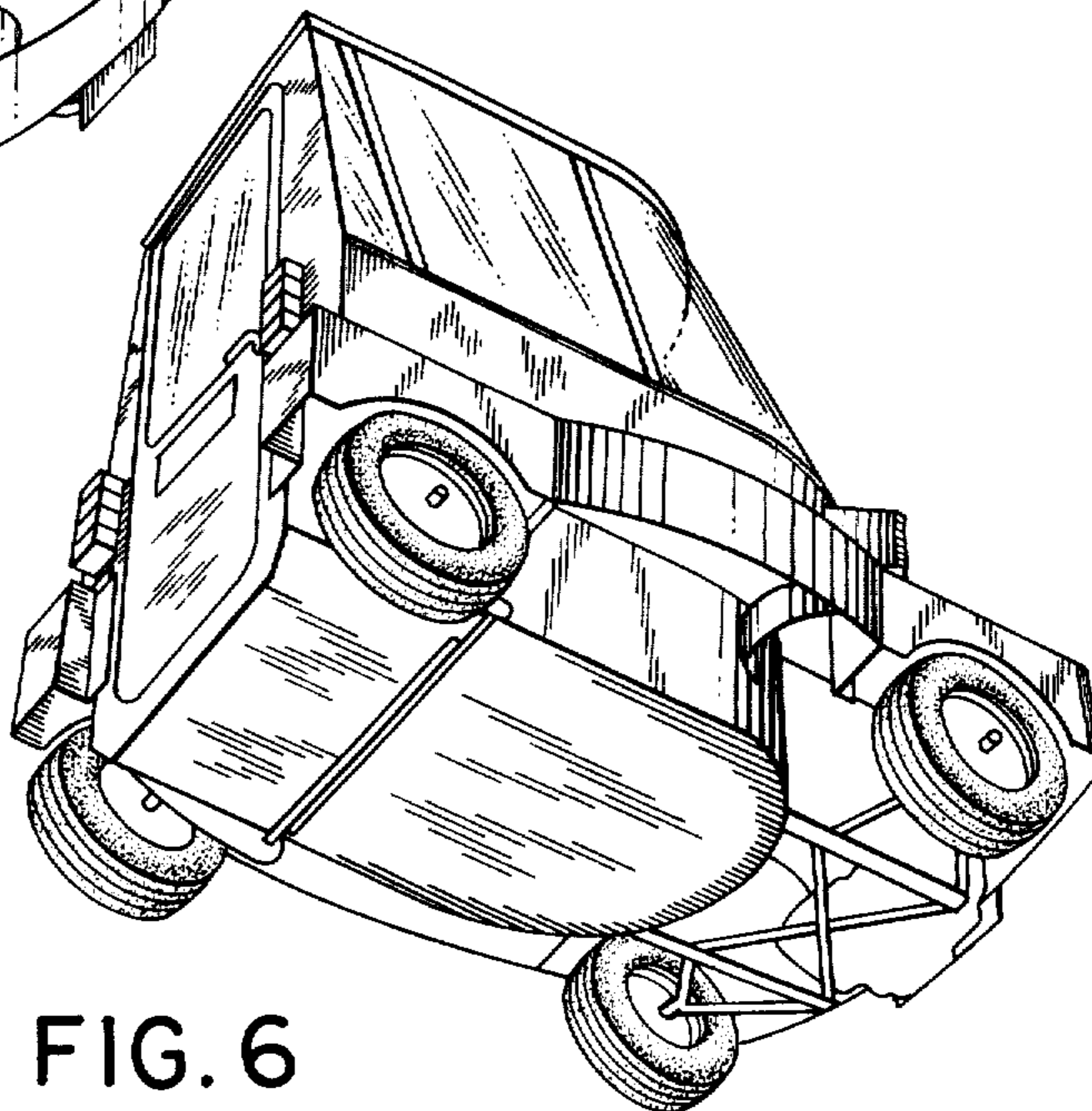


FIG. 6