

[54] ROUTER PATTERN

[76] Inventor: Merle R. Ellis, Rte. No. 2, Box 248-60, Greensboro, N.C. 27405

[**] Term: 14 Years

[21] Appl. No.: 259,851

[22] Filed: May 4, 1981

[51] Int. Cl. D10-04

[52] U.S. Cl. D10/64

[58] Field of Search D10/61-64; 33/174 G, 197

[56] References Cited

U.S. PATENT DOCUMENTS

- D. 167,543 8/1952 Rumpel D10/64 X
- 2,239,576 4/1941 Seiger 33/197
- 2,647,325 8/1953 Little 33/174 G

- 2,801,655 8/1957 Zern 33/197 X
- 3,738,013 6/1973 Gregory 33/174 G X
- 3,789,892 2/1974 Converse 33/197 X

OTHER PUBLICATIONS

Miller Falls Cat. "CH-L"-8/15/71-p. 35-Hinge Mortising Kit, at top right.

Primary Examiner—Nelson C. Holtje

[57] CLAIM

The ornamental design for a router pattern, as shown and described.

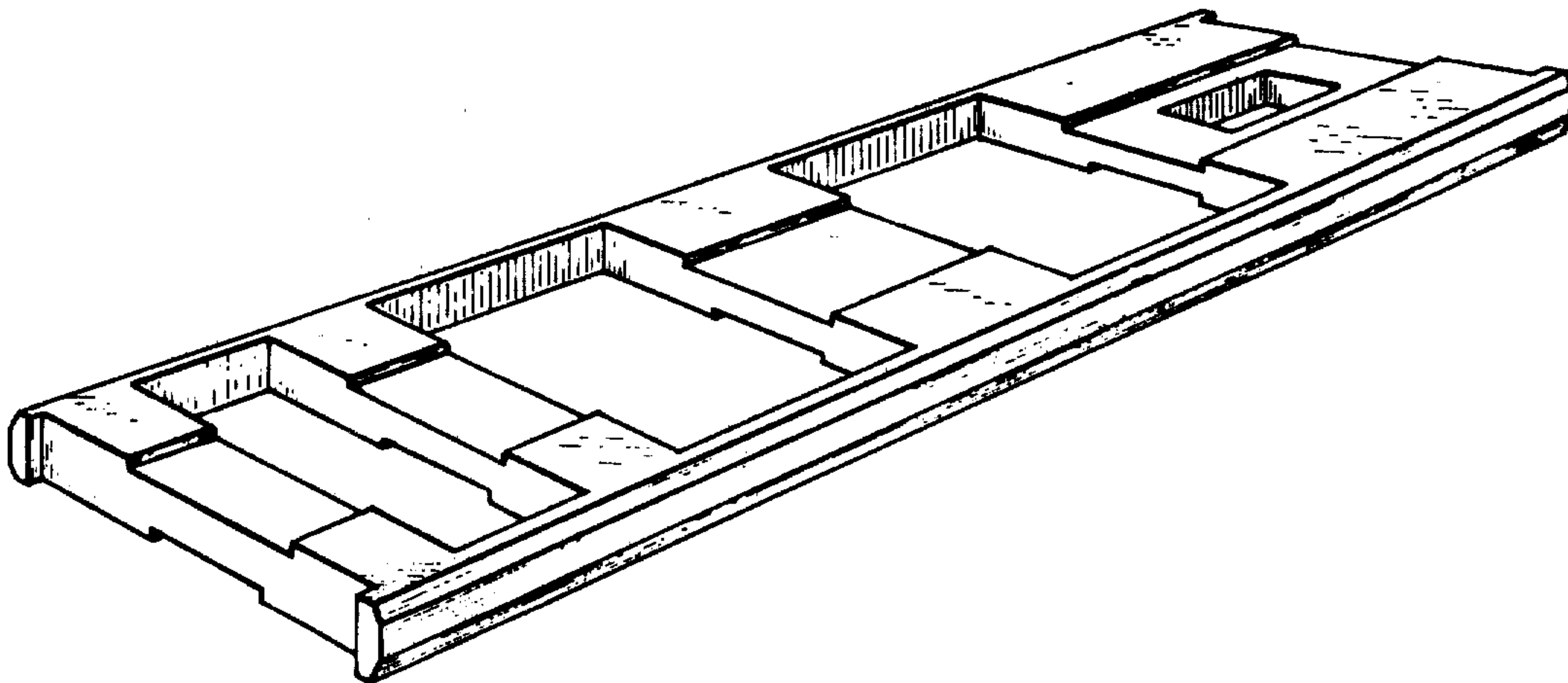
DESCRIPTION

FIG. 1 is a top and left front perspective view of a router pattern showing my new design, the rear being identical thereto;

FIG. 2 is a top plan view thereof;

FIG. 3 is a right end elevational view thereof;

FIG. 4 is a bottom plan view thereof.



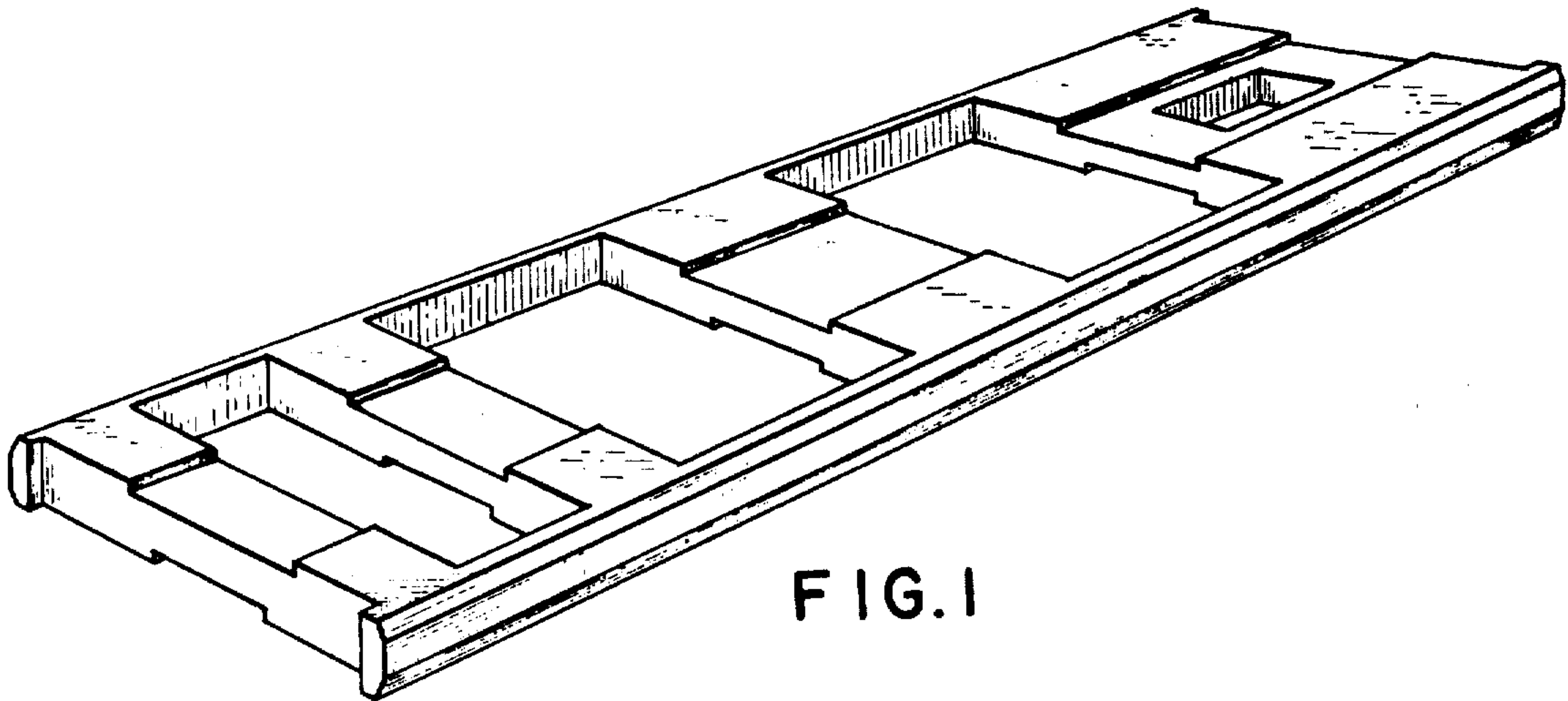


FIG. 1

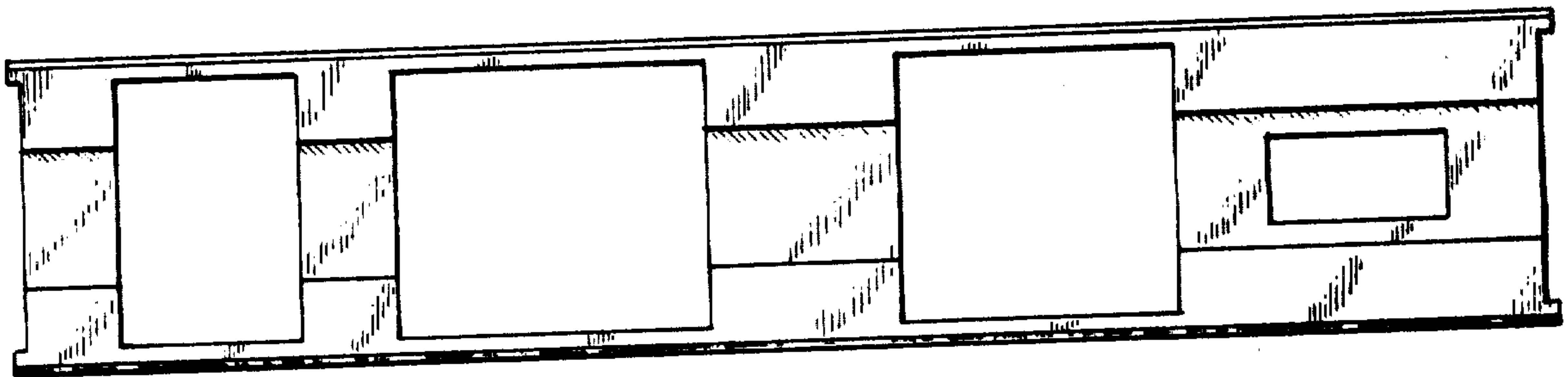


FIG. 2

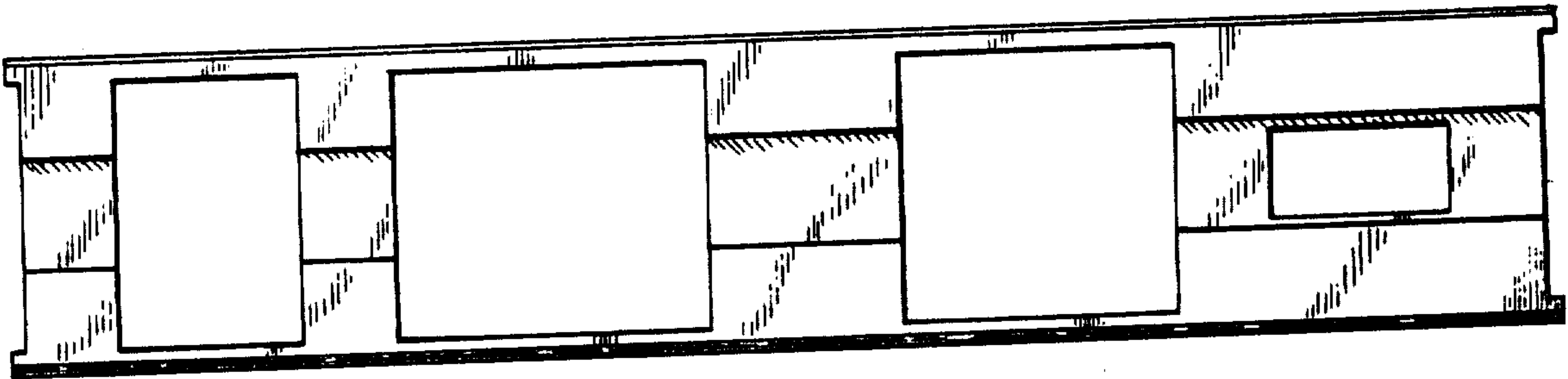


FIG. 4

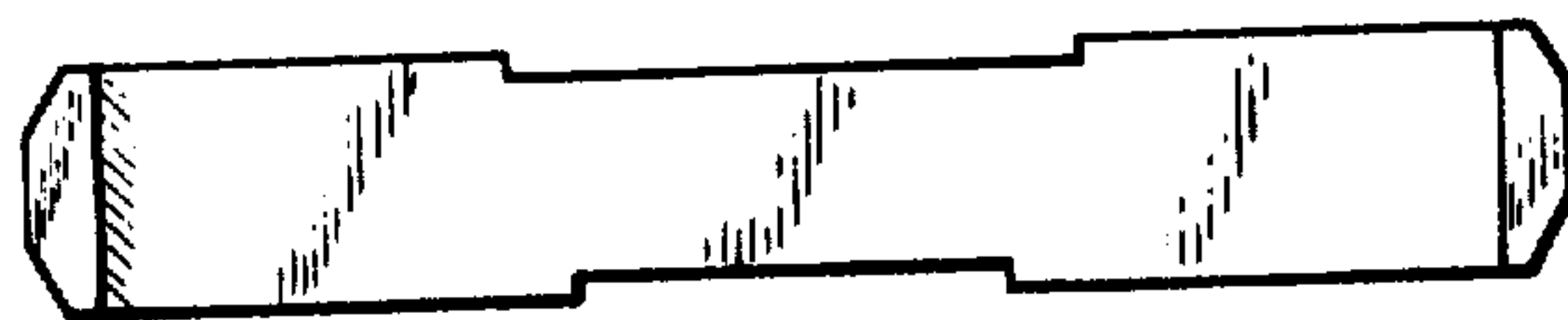


FIG. 3