

[54] CARRYING HANDLE FOR A CARTON OR THE LIKE

[76] Inventor: Richard I. Schwalbach, 2223 Pierce Ave., NE., Minneapolis, Minn. 55418

[**] Term: 14 Years

[21] Appl. No.: 234,793

[22] Filed: Feb. 17, 1981

[51] Int. Cl. D9-99

[52] U.S. Cl. D9/434

[58] Field of Search 229/52 R, 52 BC; 206/149, 150; 220/94 R; D8/300, 306, 313, 373; 294/27 H; D3/30.1; D9/379-383, 499, 434

[56] References Cited

U.S. PATENT DOCUMENTS

- D. 259,238 5/1981 Schenck D8/373 X
- 3,233,953 2/1966 Seabury, Jr. 220/94 R
- 3,912,140 10/1975 Franges 294/27 H X

Primary Examiner—Robert C. Spangler
Attorney, Agent, or Firm—James R. Haller

[57] CLAIM

The ornamental design for a carrying handle for a carton or the like, as shown and described.

DESCRIPTION

FIG. 1 is a perspective view of a carrying handle for a carton or the like showing my new design;
 FIG. 2 is an enlarged top plan view;
 FIG. 3 is a bottom view thereof;
 FIG. 4 is a side elevational view, the opposite side being a mirror image thereof;
 FIG. 5 is a front elevational view; and
 FIG. 6 is a rear elevational view thereof.

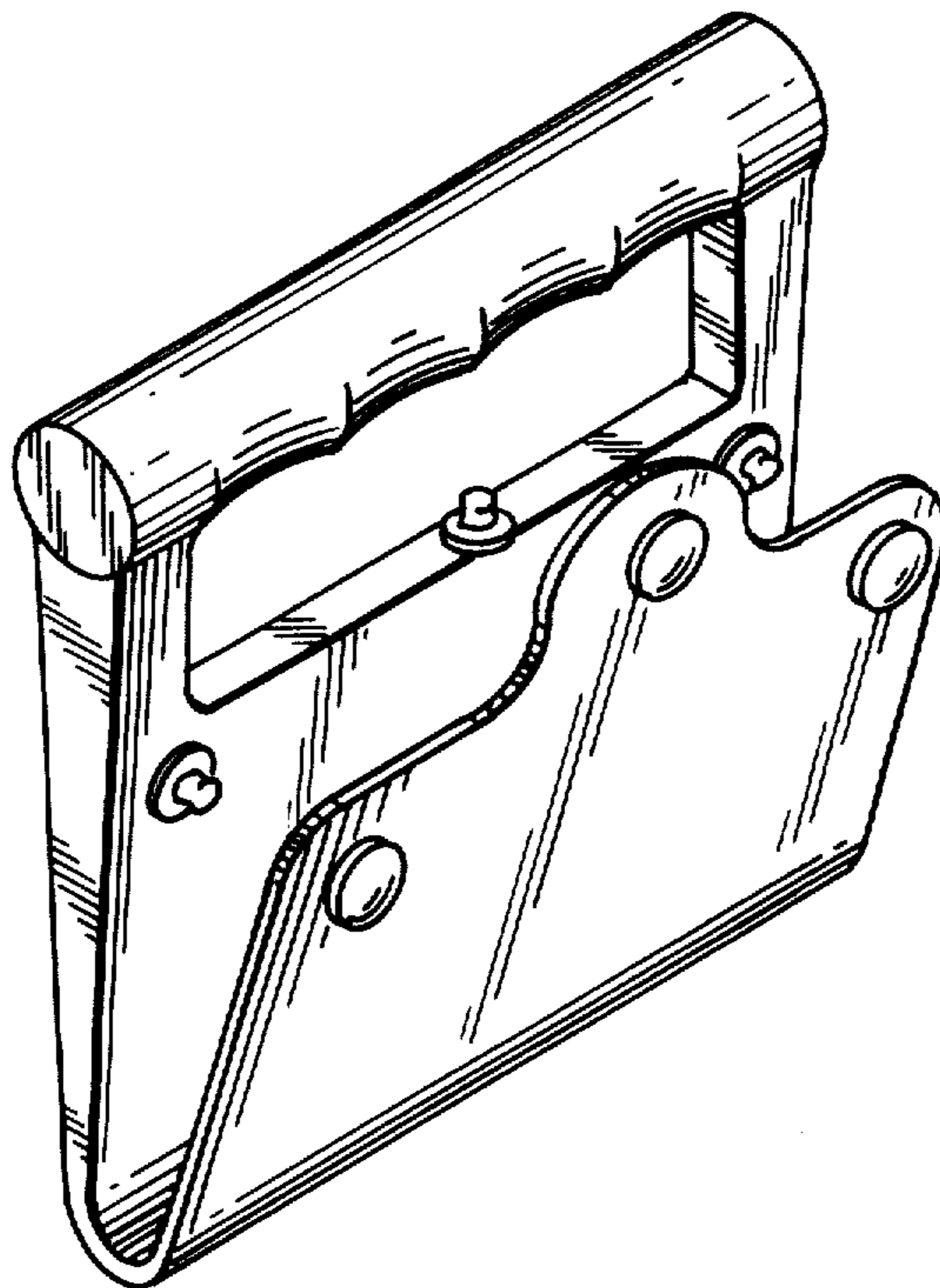


Fig. 1

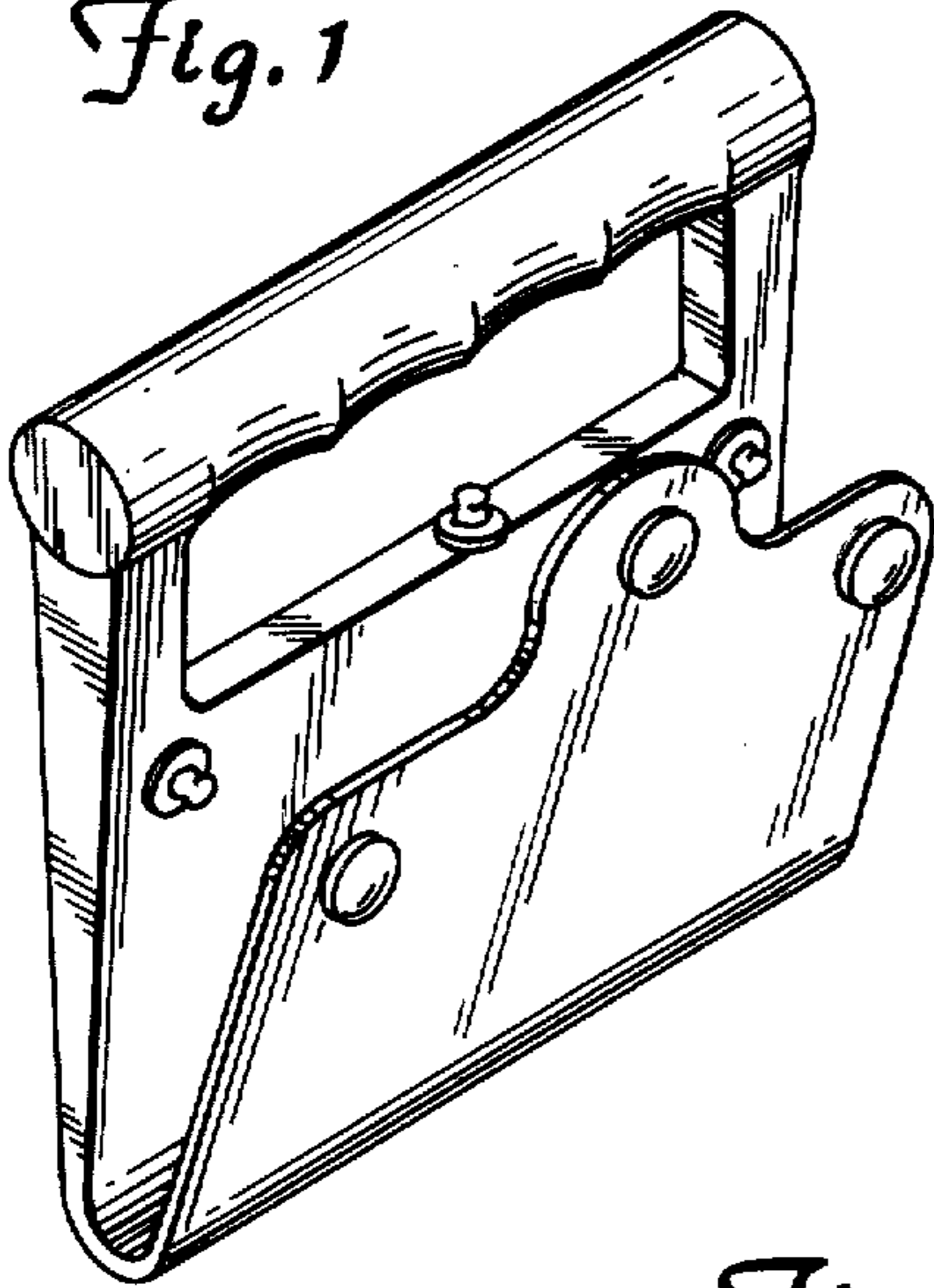


Fig. 2



Fig. 3

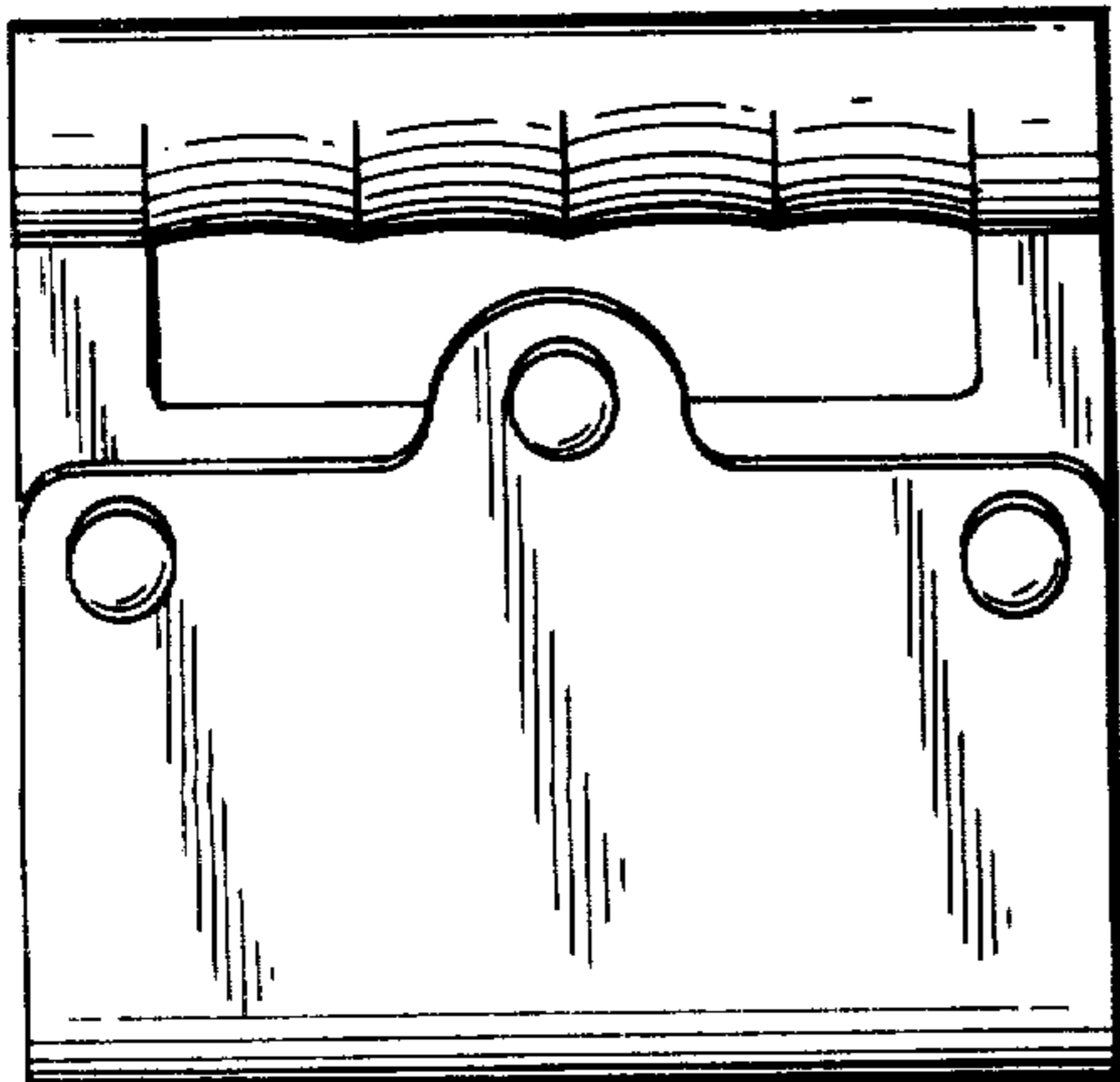
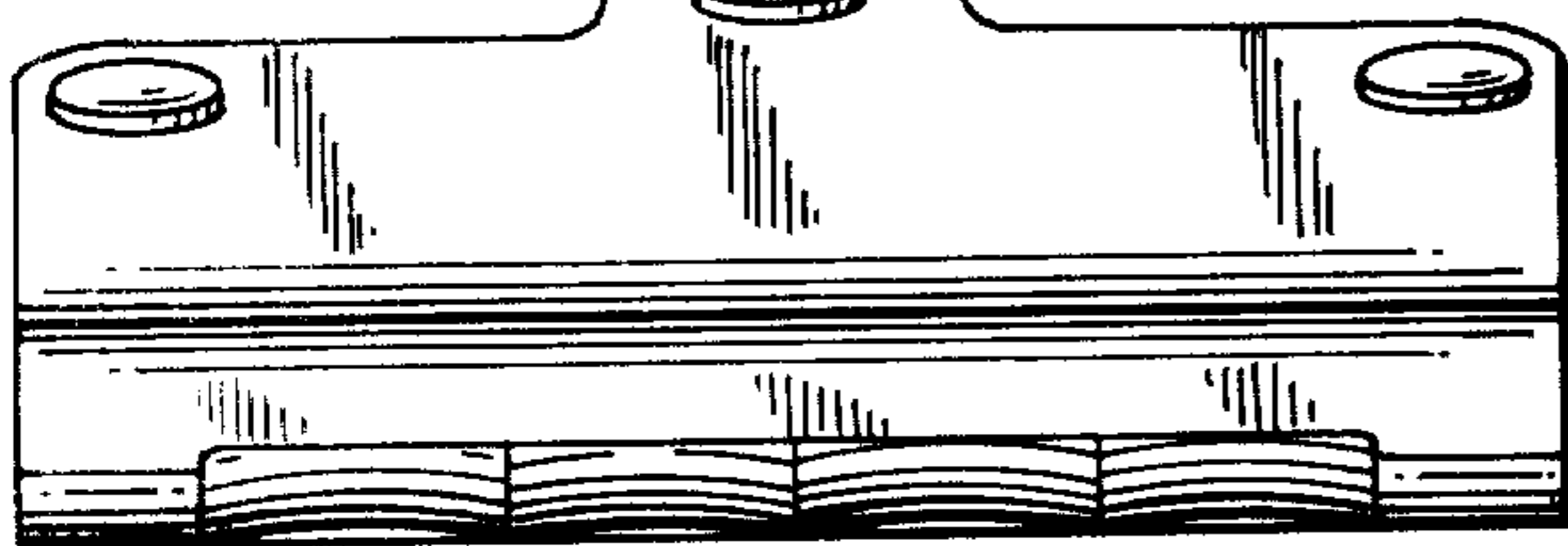


Fig. 5

Fig. 4

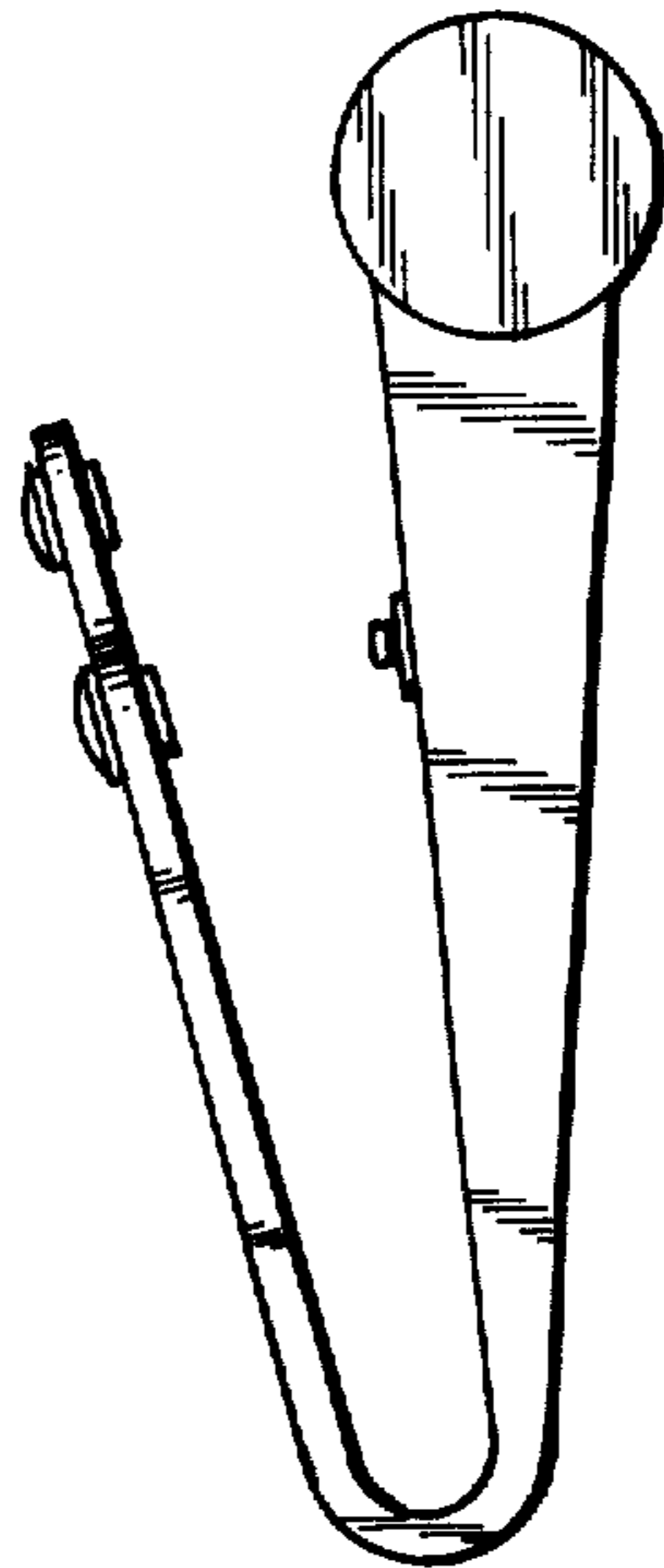


Fig. 6

