

[54] **BOTTLE**

[75] **Inventor: John J. Scalice, New York, N.Y.**

[73] **Assignee: Revlon, Inc., New York, N.Y.**

[\*\*] **Term: 14 Years**

[21] **Appl. No.: 171,786**

[22] **Filed: Jul. 24, 1980**

[51] **Int. Cl. .... D9—01**

[52] **U.S. Cl. .... D9/384**

[58] **Field of Search ..... D9/384, 385, 388, 403**

[56]

**References Cited**

**U.S. PATENT DOCUMENTS**

D. 49,289 6/1916 Vivaudou ..... D9/384 X  
D. 88,067 10/1932 Bergaud ..... D9/384 X  
D. 100,434 7/1936 McIntosh ..... D9/384

*Primary Examiner*—Robert C. Spangler

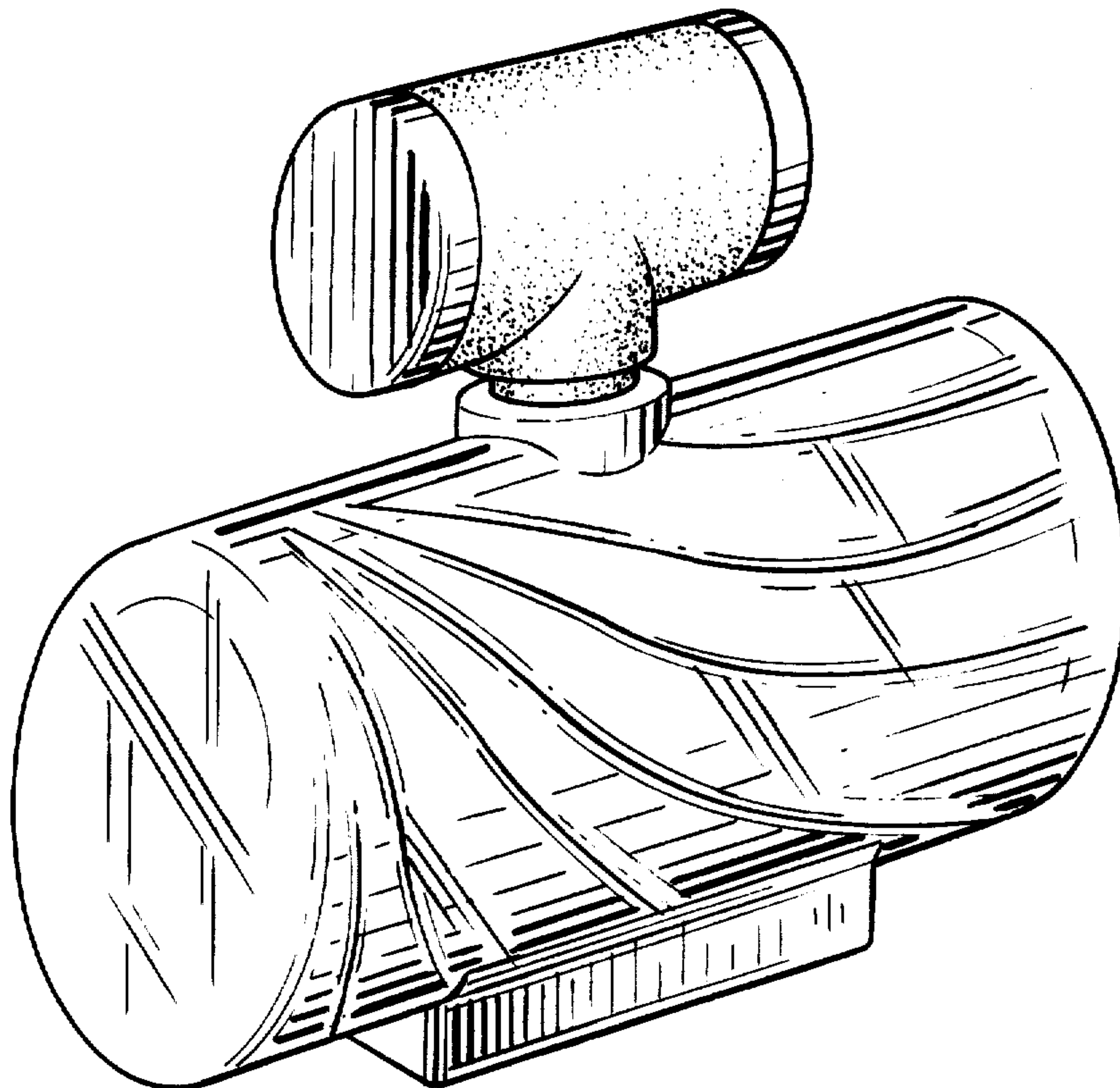
[57]

**CLAIM**

The ornamental design for a bottle, as shown and described.

**DESCRIPTION**

FIG. 1 is a perspective view of the bottle showing my new design;  
FIG. 2 is a front elevational view thereof;  
FIG. 3 is a top plan view thereof;  
FIG. 4 is a bottom plan view thereof; and  
FIG. 5 is a side elevational view of the side opposite the one shown in FIG. 1.



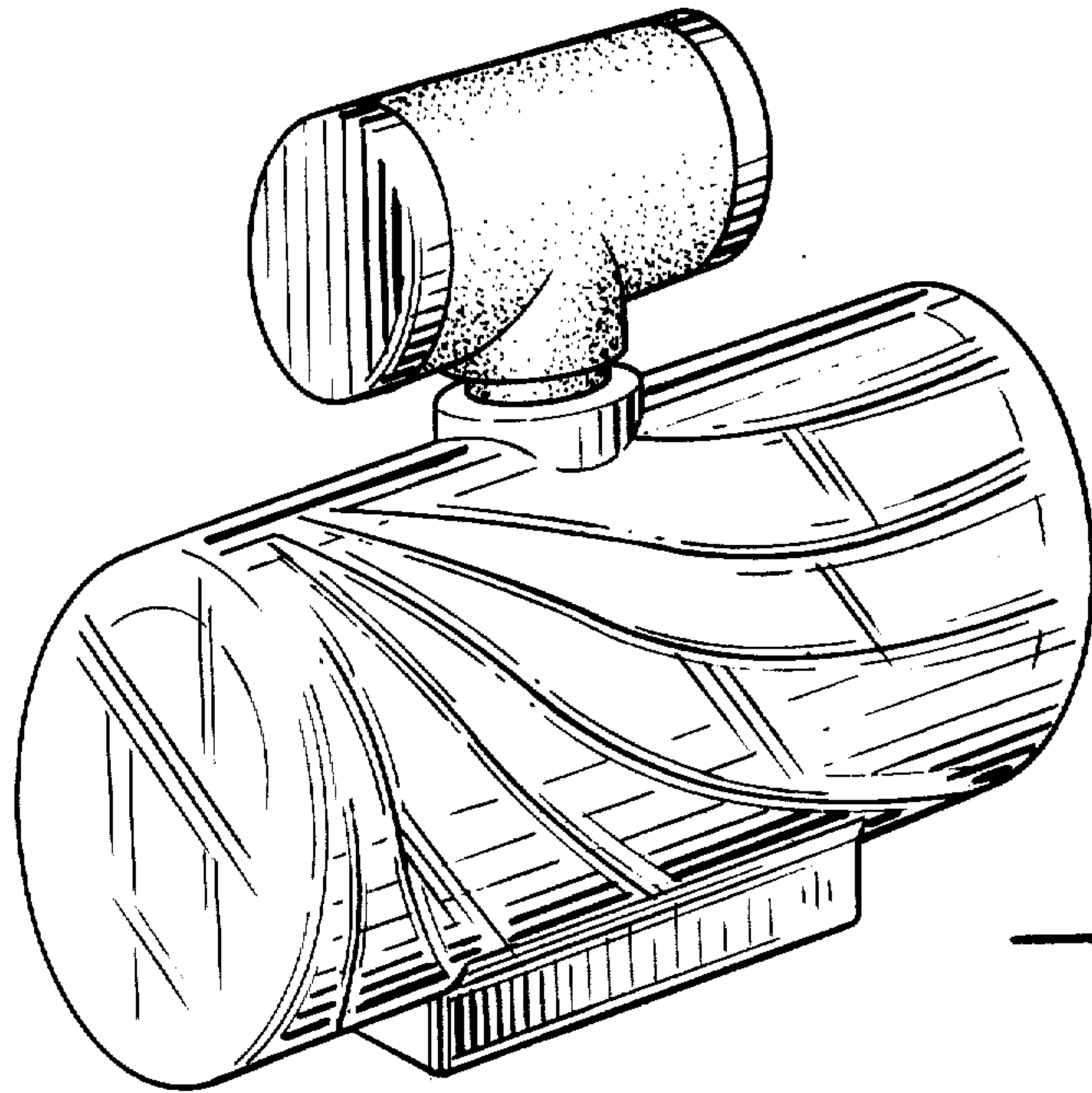
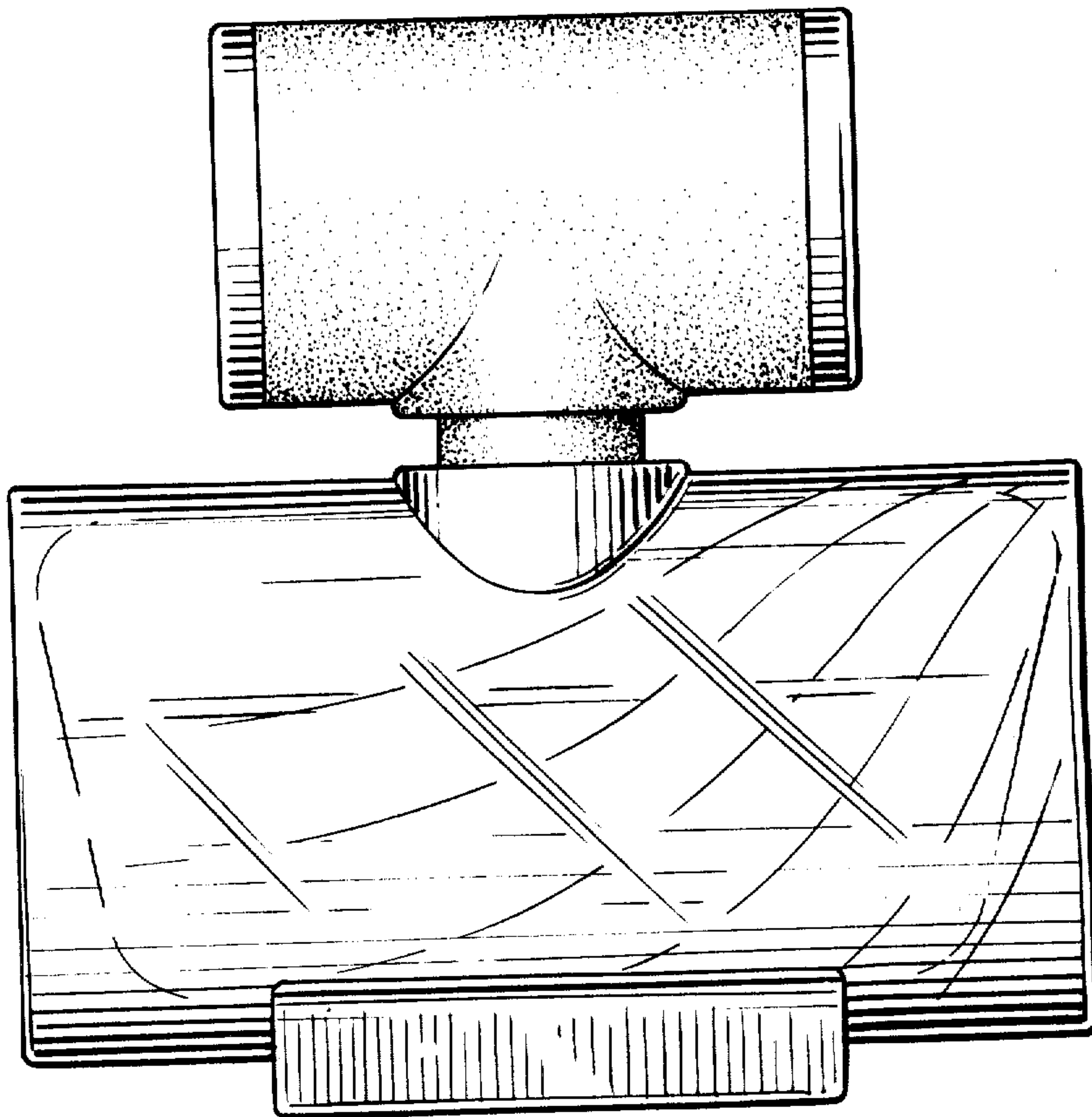


Fig. 1.

Fig. 2.



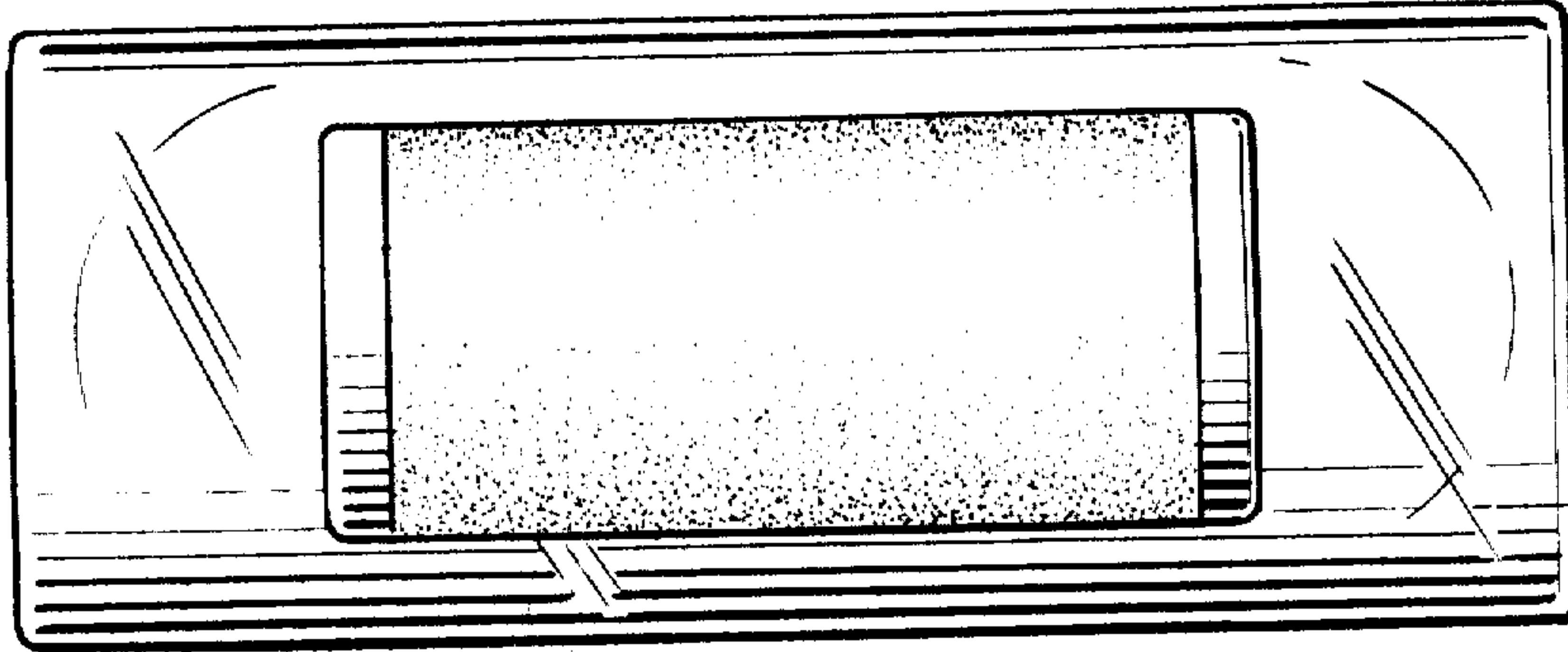


Fig. 3.

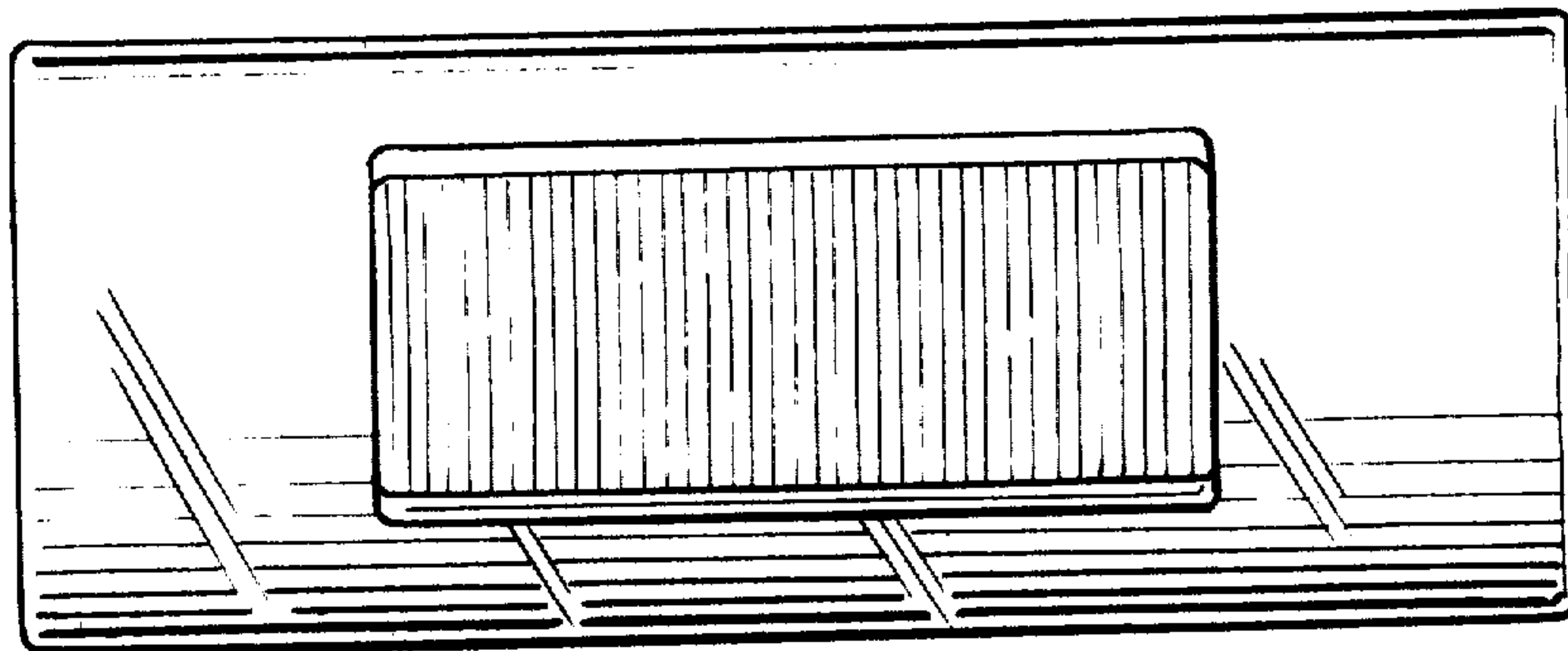


Fig. 4.

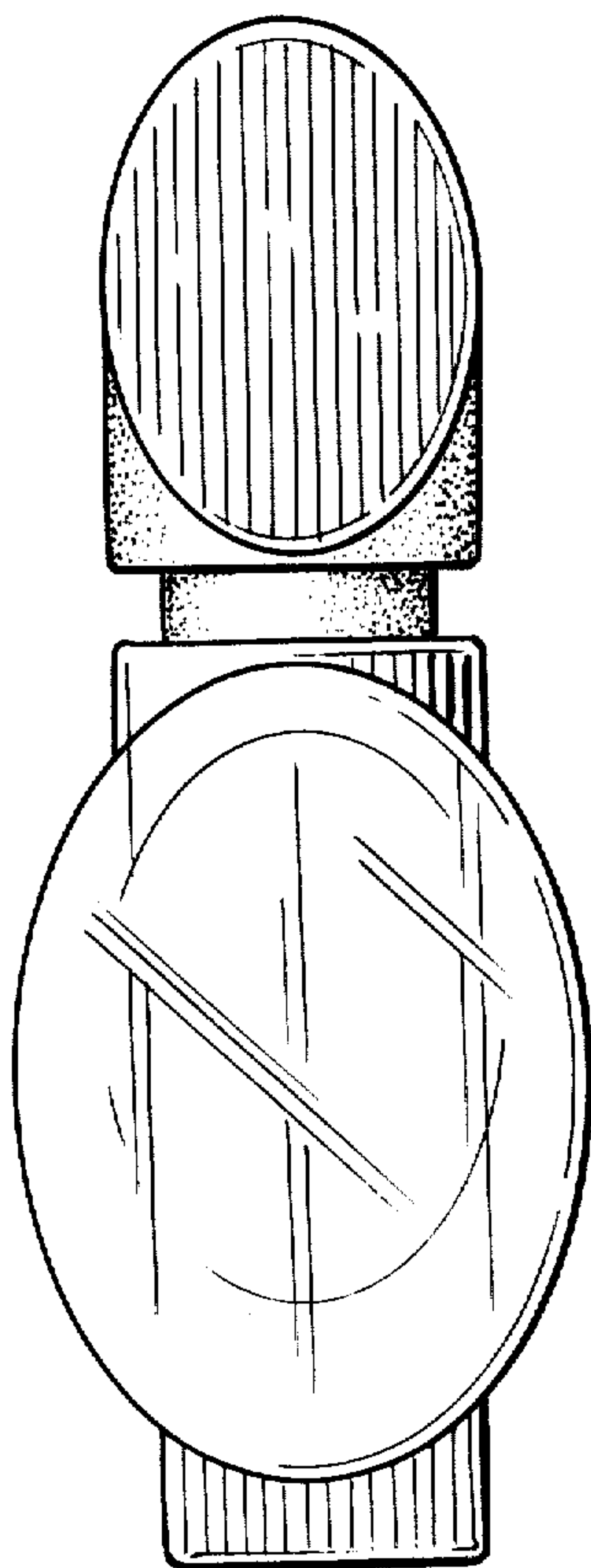


Fig. 5.