

[54] **SURGICAL SUTURE PACKAGE**

[75] **Inventor:** Seymour Black, West Hartford, Conn.

[73] **Assignee:** American Cyanamid Company, Stamford, Conn.

[\*\*] **Term:** 14 Years

[21] **Appl. No.:** 224,868

[22] **Filed:** Jan. 14, 1981

[51] **Int. Cl.** ..... D9—03

[52] **U.S. Cl.** ..... D9/303; D9/337;  
D9/443; D9/457

[58] **Field of Search** ..... 206/438, 63.3; D9/346,  
D9/414, 415, 420-423, 432, 433, 303, 305, 306,  
337

[56] **References Cited**

**U.S. PATENT DOCUMENTS**

4,063,638 12/1977 Marwood ..... 206/63.3  
4,069,912 1/1978 Black et al. .... 206/63.3

4,142,628 3/1979 Marocco ..... 206/63.3

*Primary Examiner*—Robert C. Spangler  
*Attorney, Agent, or Firm*—Charles F. Costello, Jr.

[57] **CLAIM**

The ornamental design for a surgical suture package, substantially as shown and described.

**DESCRIPTION**

FIG. 1 is a front elevational view of a surgical suture package showing my new design in an unfolded position;

FIG. 2 is an elevational view looking from the left of FIG. 1;

FIG. 3 is an elevational view looking from the right of FIG. 1;

FIG. 4 is a rear elevational view;

FIG. 5 is a front elevational view in a partially folded position;

FIG. 6 is a front elevational view in a further folded position; and

FIG. 7 is a front view in a completely folded position. The dash lines represent fold lines.

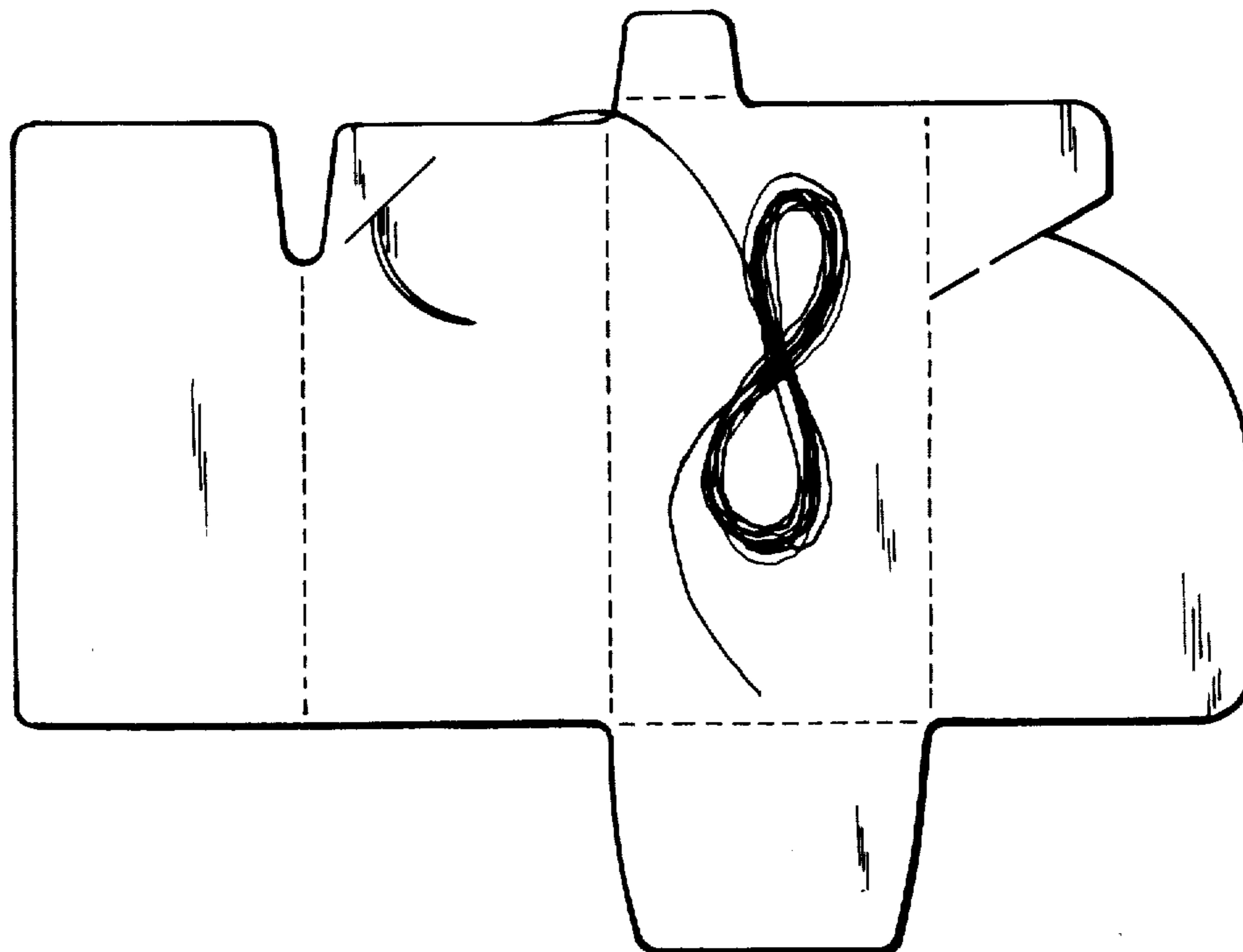


FIG. 1

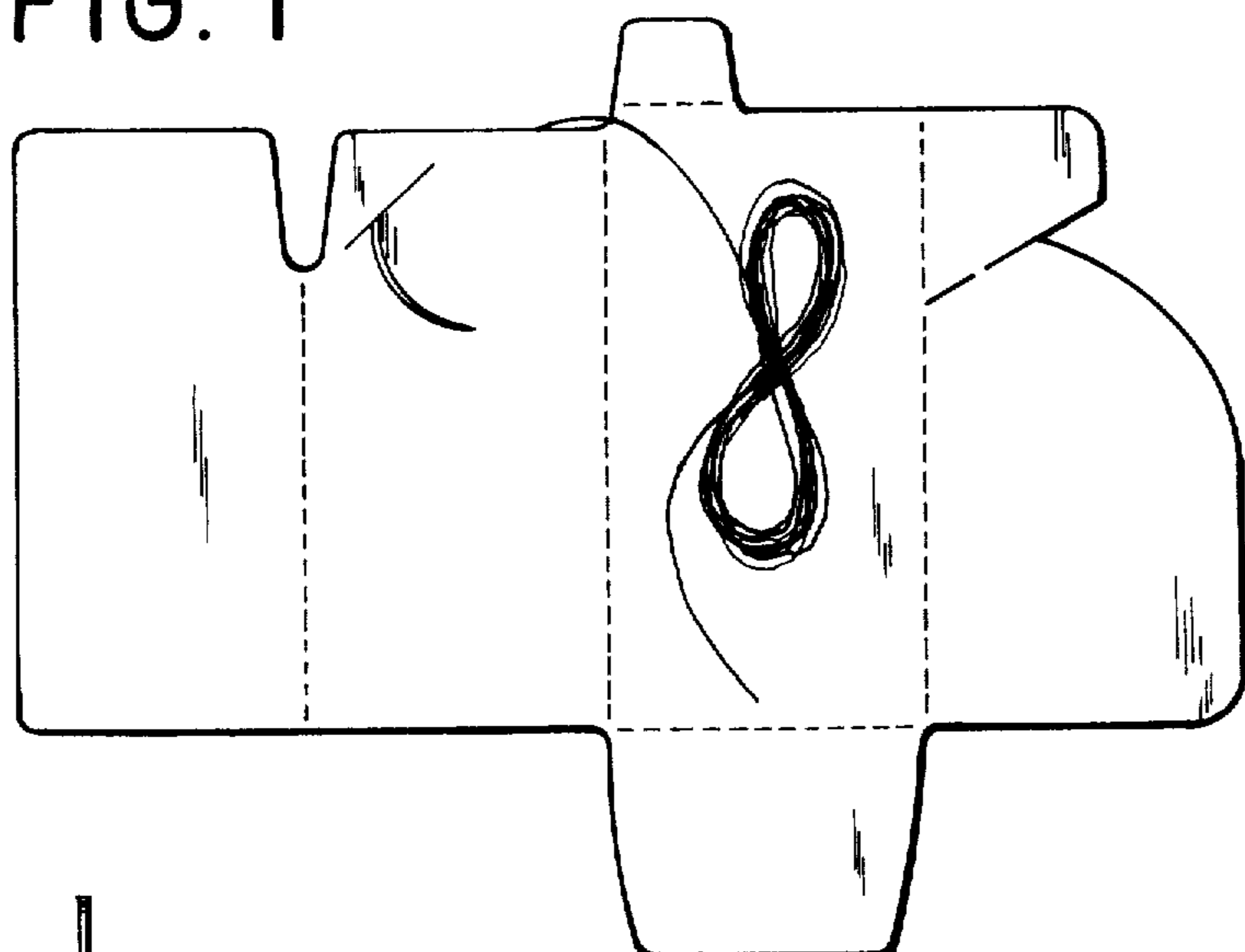


FIG. 2



FIG. 3

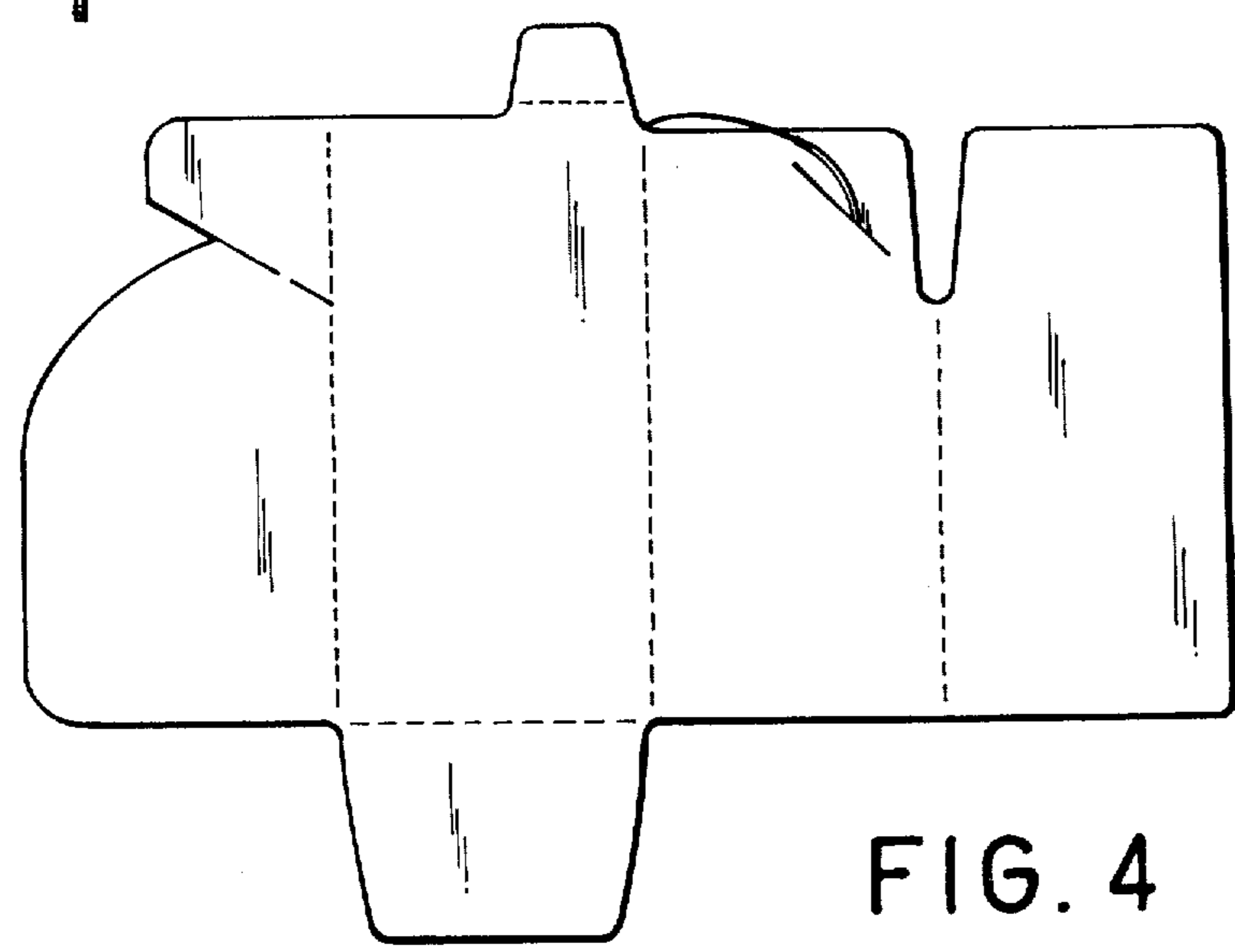


FIG. 4

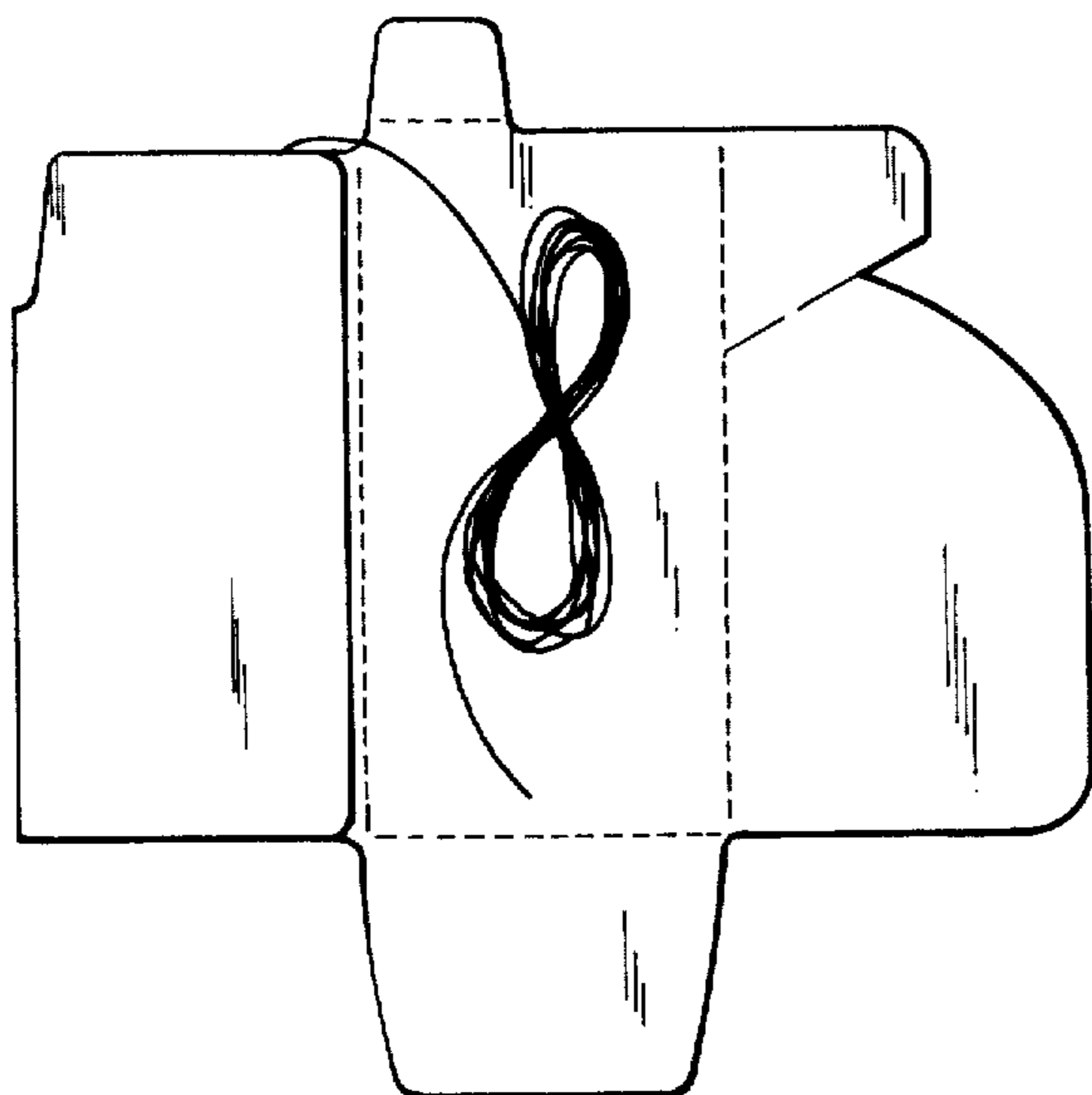


FIG. 5

FIG. 6

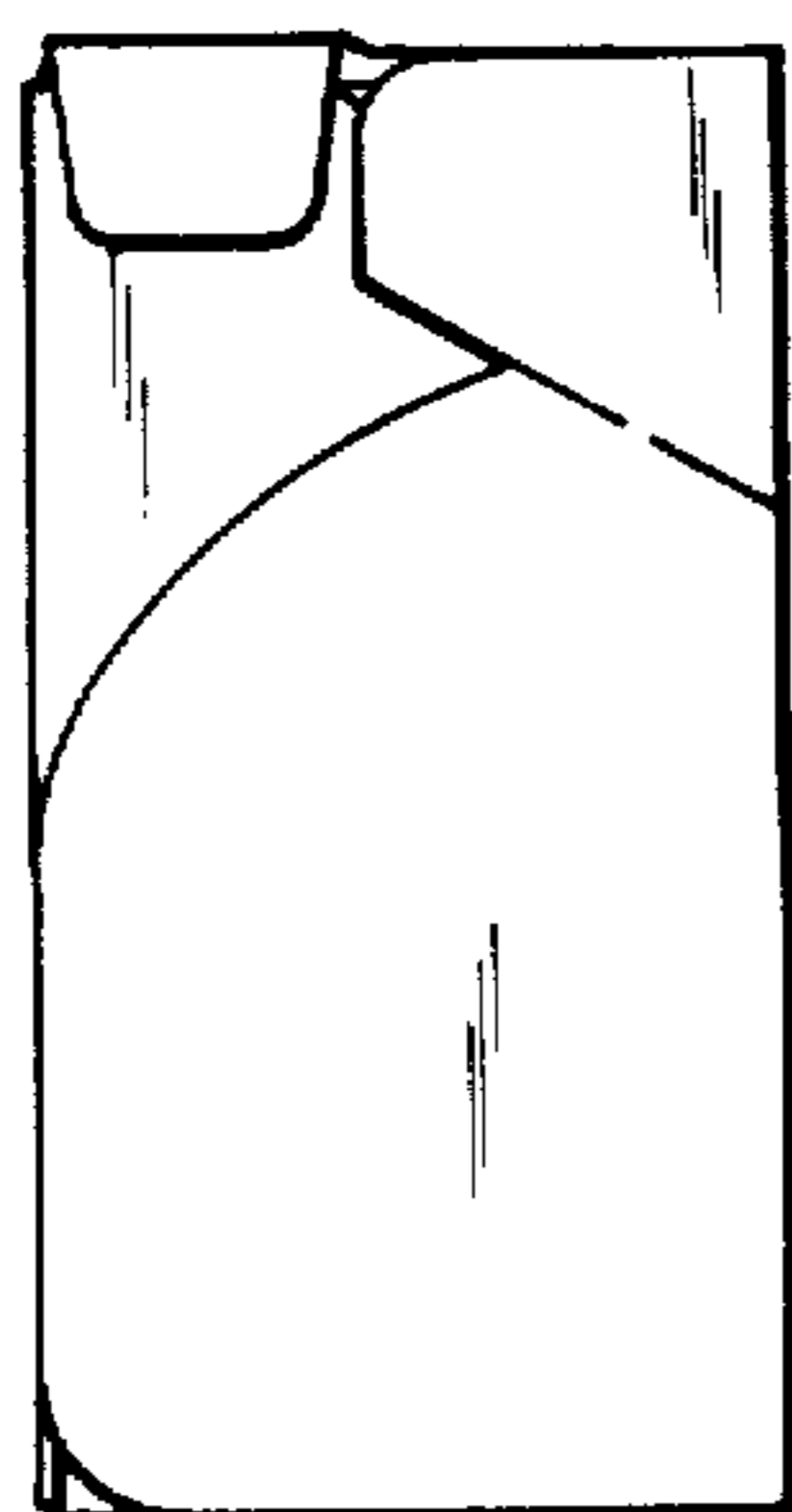
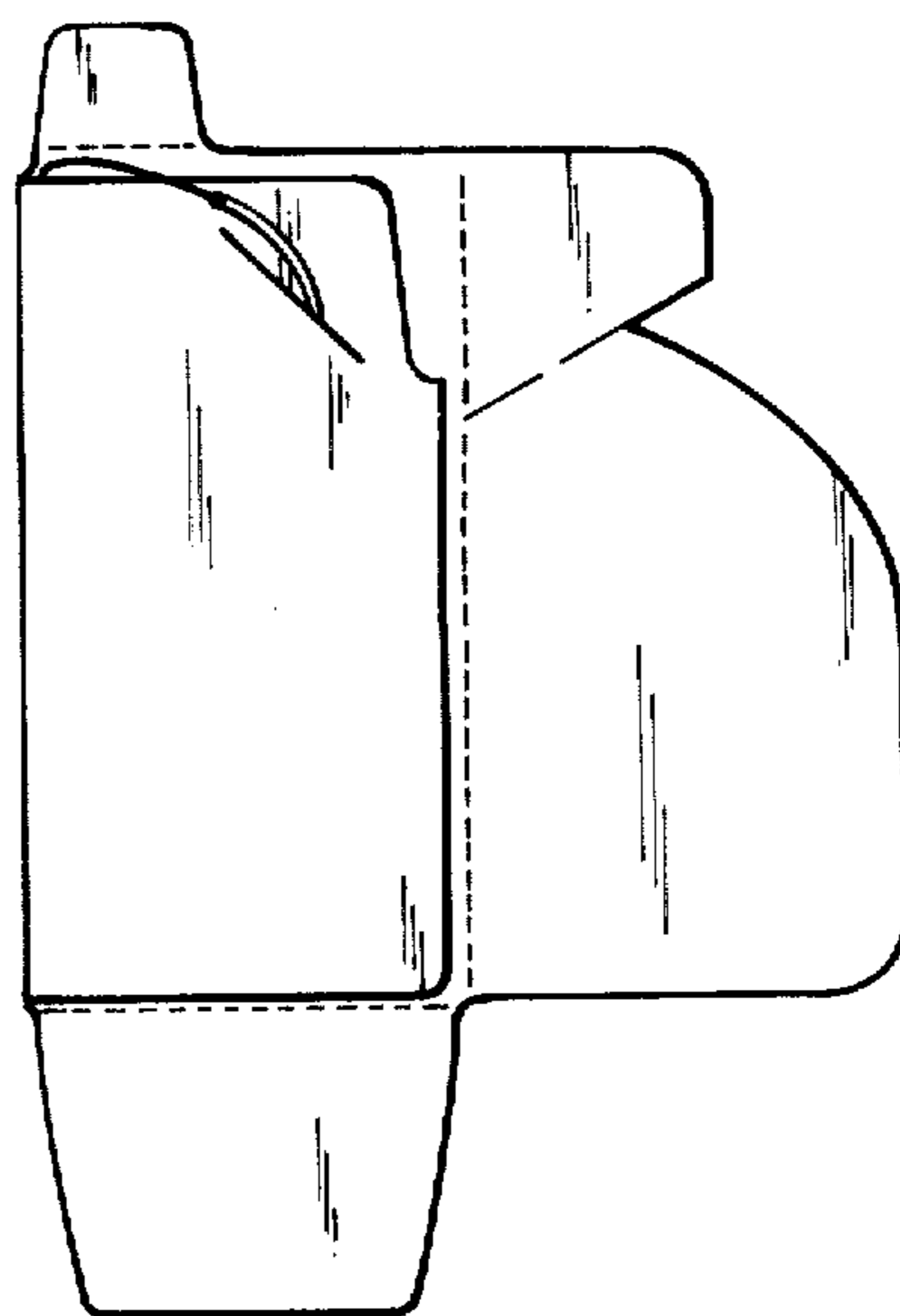


FIG. 7