

[54] TRACK FOR AN ACCORDION TYPE FOLDING DOOR

3,493,032 2/1970 Brown, Jr. et al. .... 16/87 R X  
4,102,008 7/1978 Janson ..... 16/96 R

[76] Inventor: John D. Marontate, Corner 19th and A St., Forest Grove, Oreg. 97116

[\*\*] Term: 14 Years

[21] Appl. No.: 214,329

[22] Filed: Dec. 8, 1980

[51] Int. Cl. .... D8-09

[52] U.S. Cl. .... D8/377; D25/74

[58] Field of Search ..... 16/87 R, 87 B, 94 R, 16/96 R; 52/721; D8/377; D25/73, 74, 75, 76; 160/124, 201

OTHER PUBLICATIONS

Aluminium Extrusions by Reynolds Metals Co., ©1957, p. 42, FIG. 54, lower row.

Primary Examiner—A. Hugo Word  
Attorney, Agent, or Firm—Eugene D. Farley

[57] CLAIM

The ornamental design for a track for an accordion type folding door, as shown and described.

DESCRIPTION

The single FIGURE of the drawing is a foreshortened bottom isometric view of the track for accordion type folding doors, showing my new design.

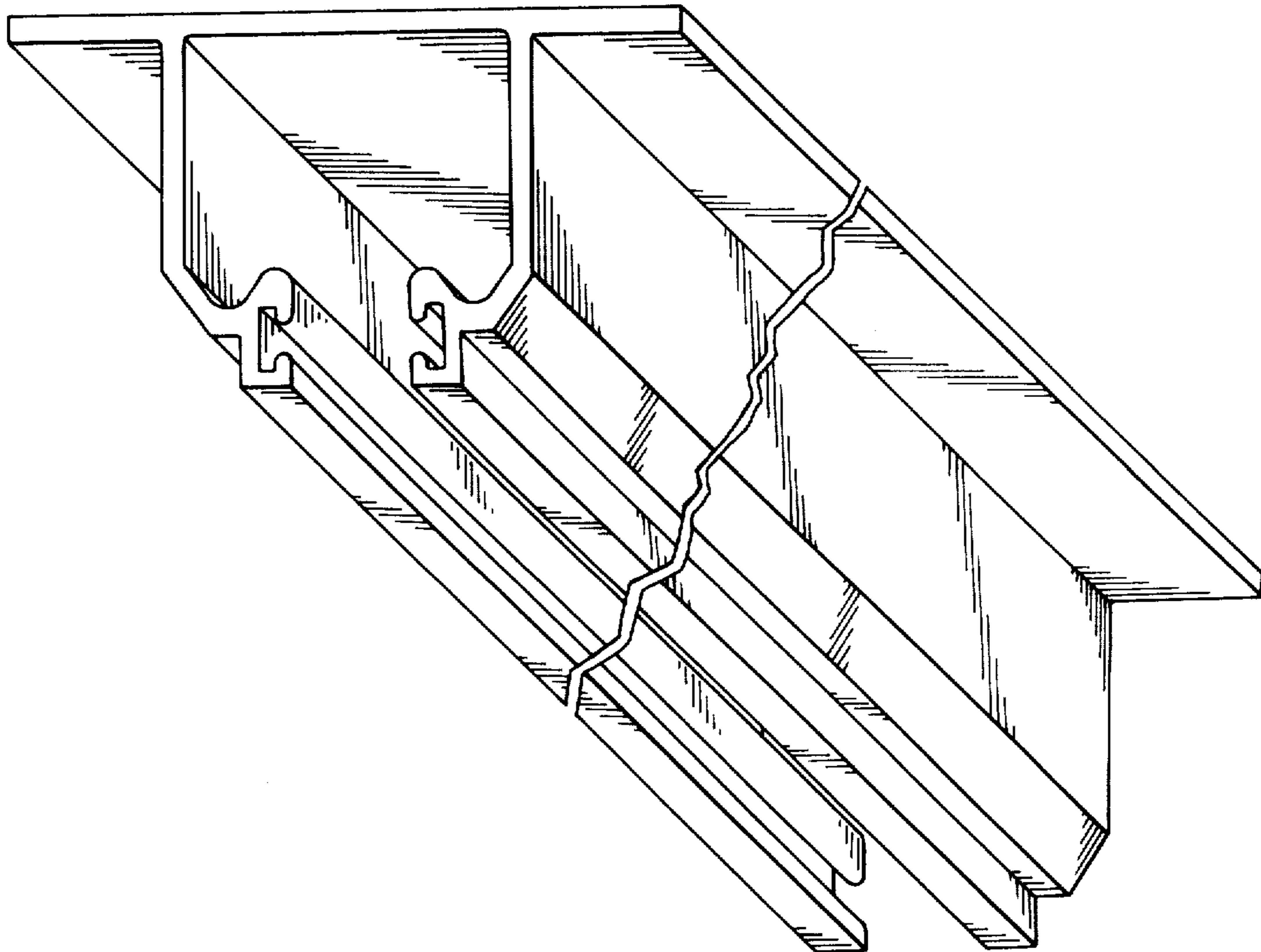
The design of the back side of the track is identical with the design of the front side thereof.

The top of the track is plain.

[56] References Cited

U.S. PATENT DOCUMENTS

D. 177,034 3/1956 Fridolph ..... D8/377



U.S. Patent

May 3, 1983

Des. 268,809

