

[54] **BOTTLE CAP REMOVER**

[76] **Inventor:** Philip G. Love, 603 Greystone
Village Apartments, Scottsboro, Ala.
35768

[**] **Term:** 14 Years

[21] **Appl. No.:** 260,011

[22] **Filed:** May 4, 1981

[51] **Int. Cl.** D7-06

[52] **U.S. Cl.** D8/37

[58] **Field of Search** D8/33, 37, 40;
81/3.3 R, 3.3 A

[56] **References Cited**

U.S. PATENT DOCUMENTS

1,752,189 3/1930 Lotz D8/37 X
3,048,068 8/1962 Griffiths 81/3.3 R
3,600,982 8/1971 Tholen D8/40 X

FOREIGN PATENT DOCUMENTS

453882 4/1913 France 81/3.3 R
727116 3/1932 France 81/3.3 A
808 of 1893 United Kingdom 81/3.3 R

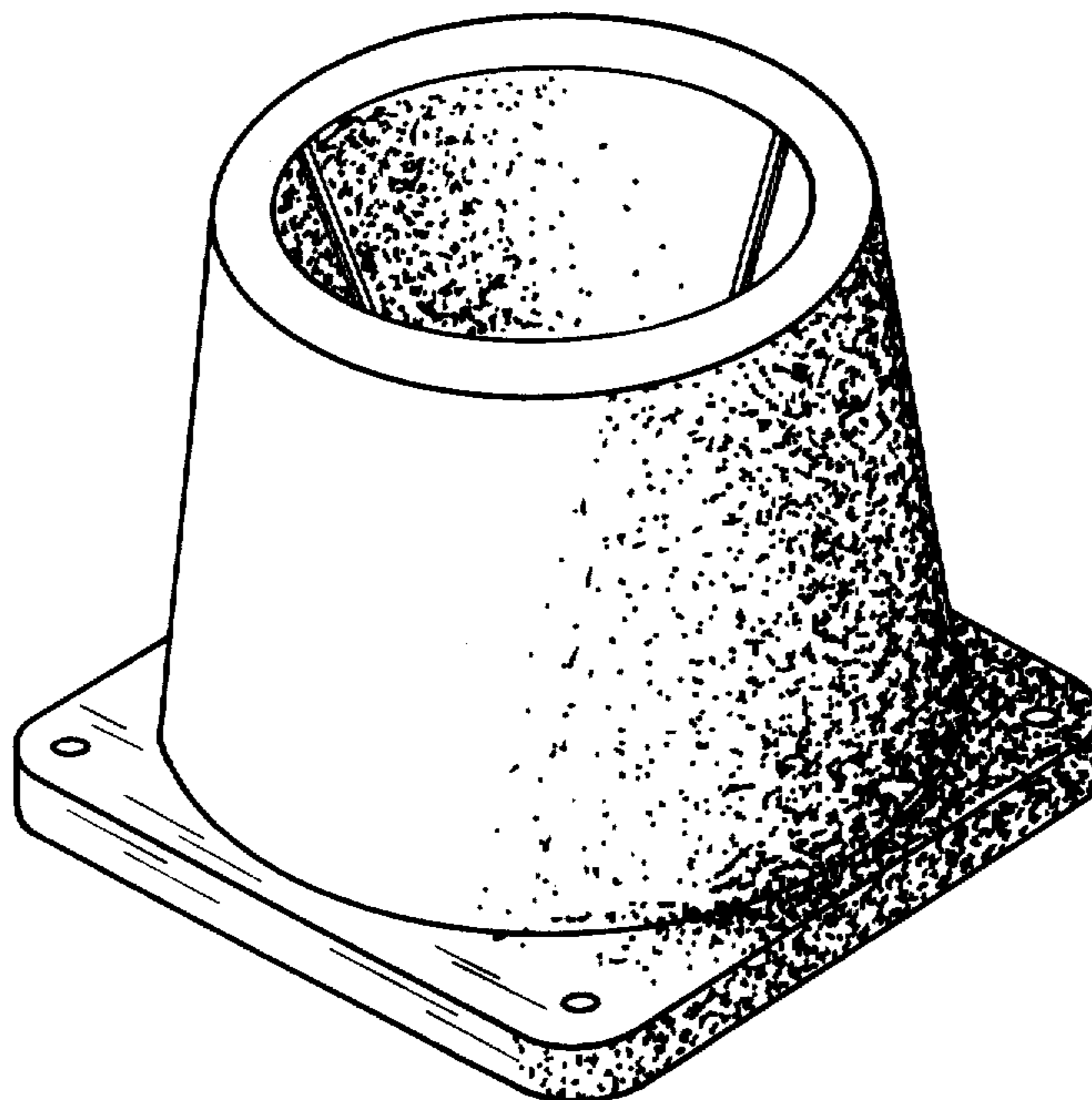
Primary Examiner—Joel Stearman
Assistant Examiner—Carmen H. Vales
Attorney, Agent, or Firm—C. A. Phillips

[57] **CLAIM**

The ornamental design for a bottle cap remover, substantially as shown and described.

DESCRIPTION

FIG. 1 is a perspective view of a bottle cap remover showing my new design;
FIG. 2 is a top plan view thereof;
FIG. 3 is a bottom plan view thereof; and
FIG. 4 is a side elevational view, the other sides not shown are identical thereof.



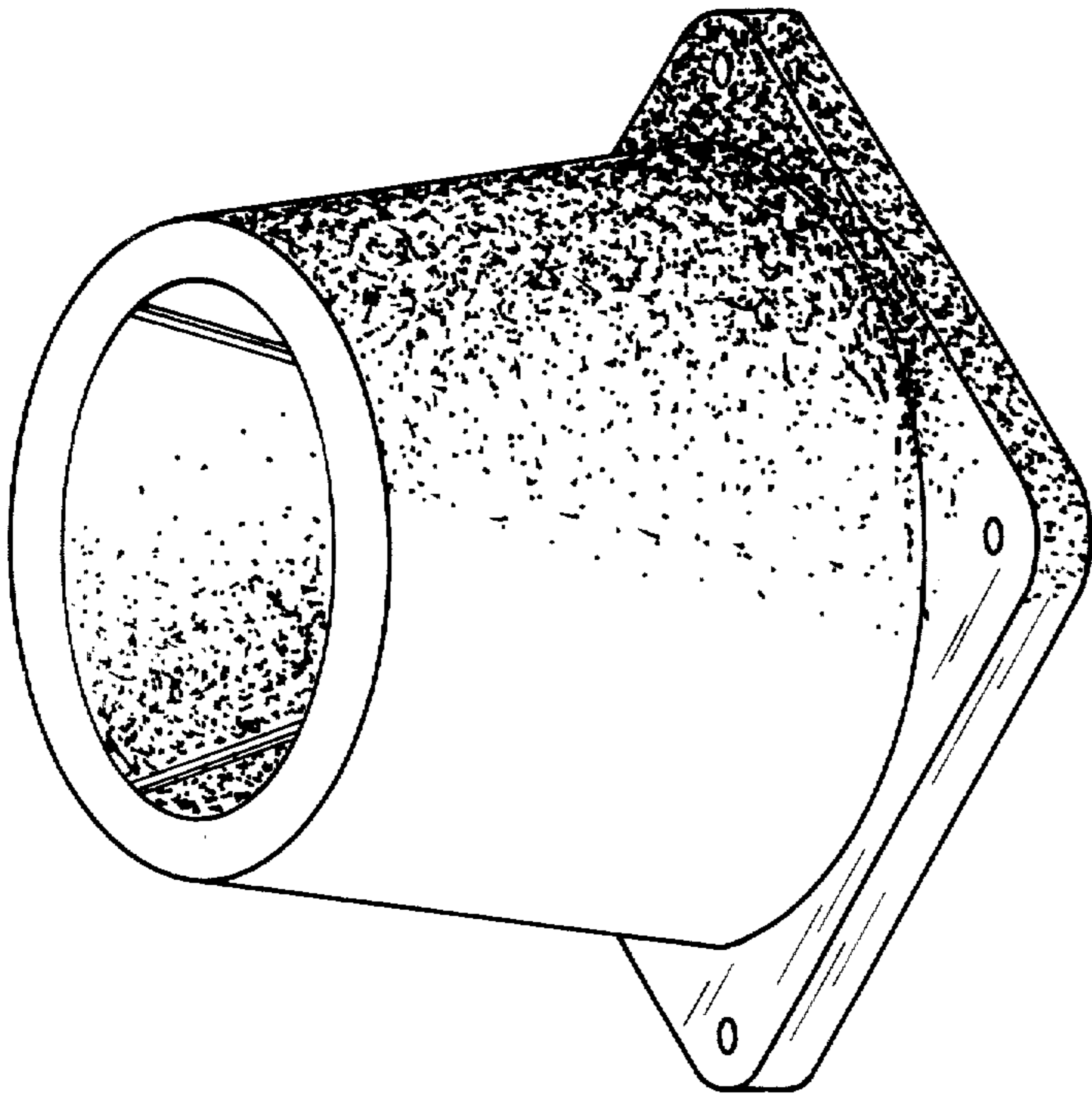


FIG. 1

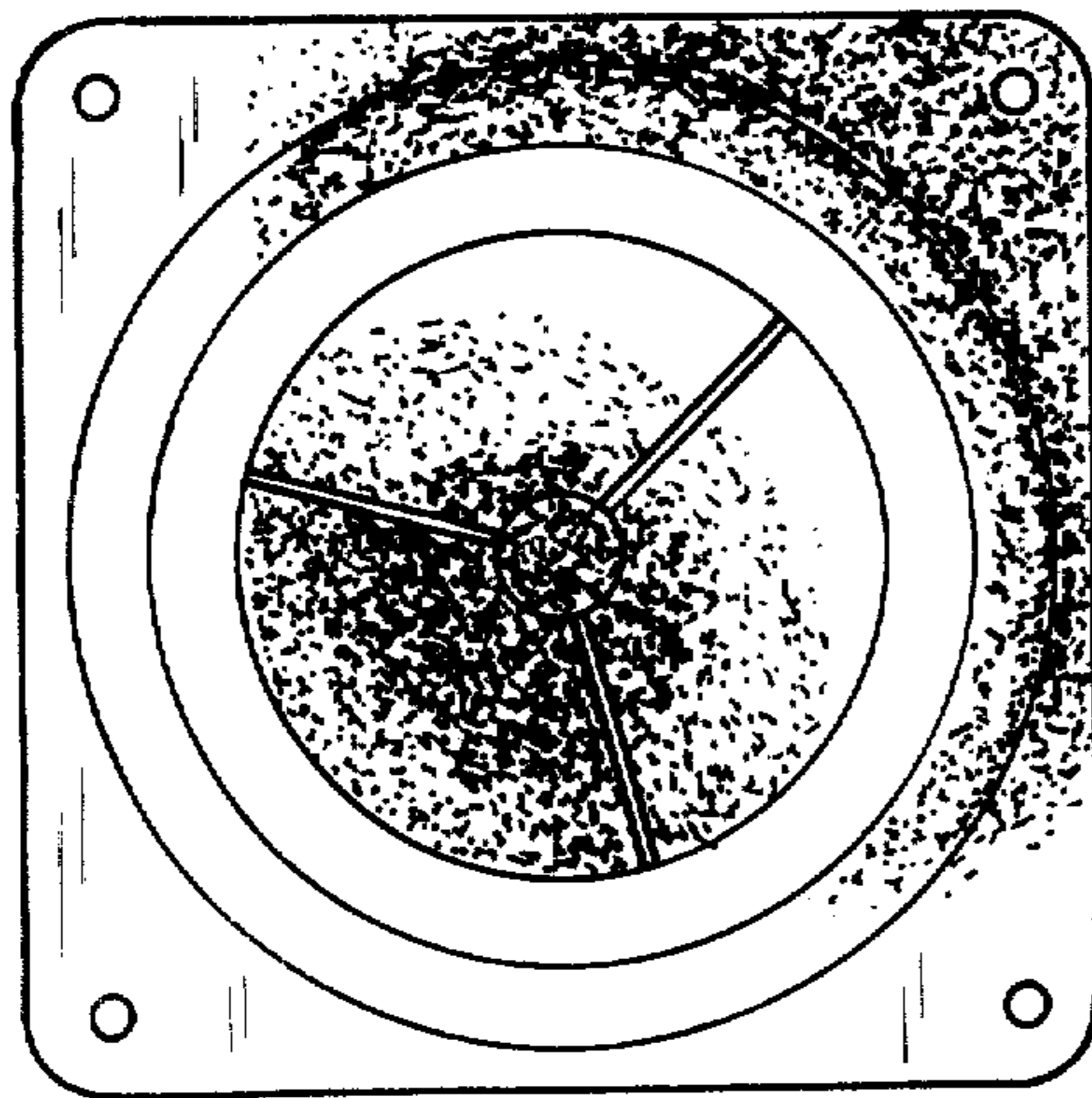


FIG. 2

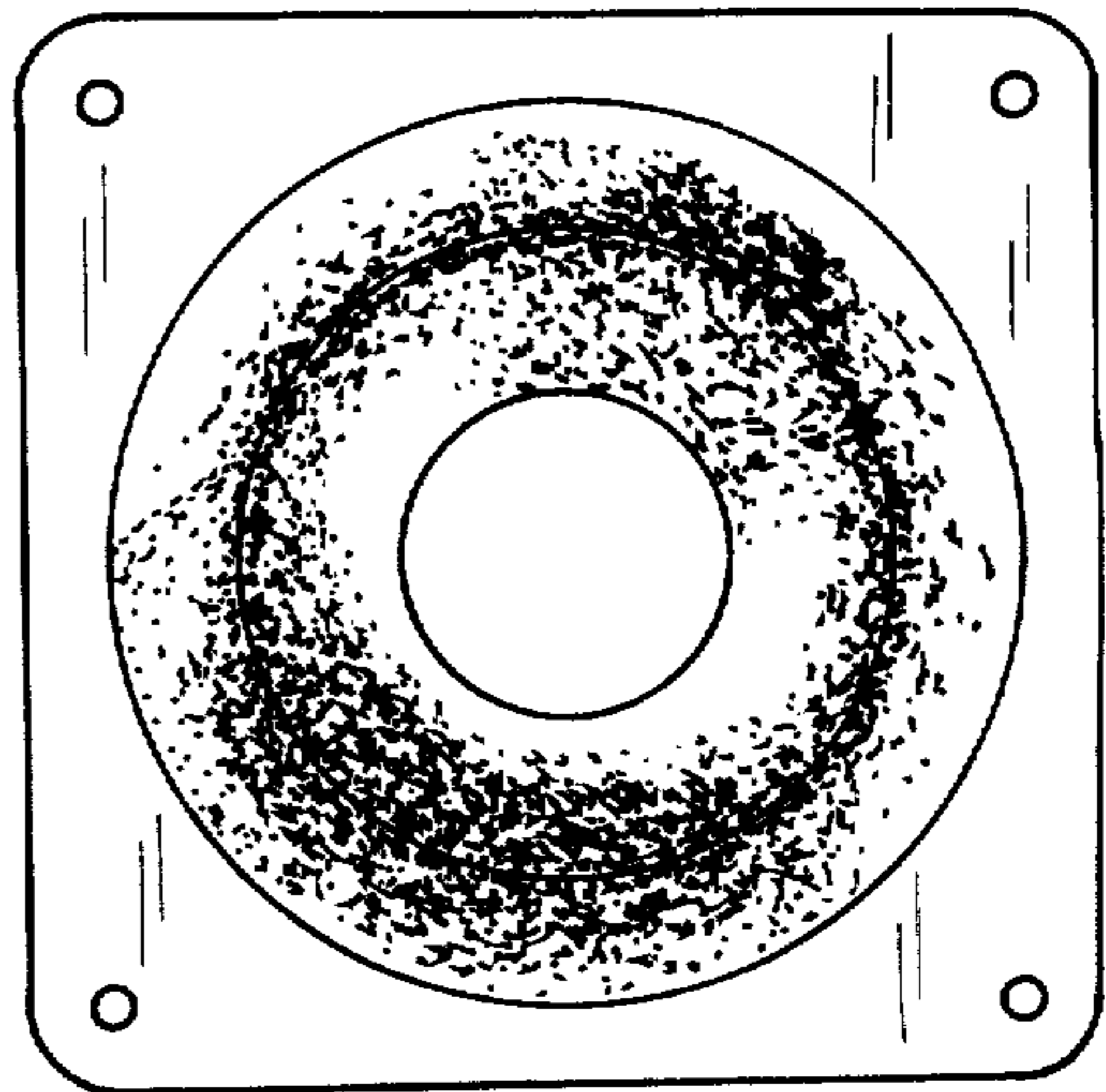


FIG. 3

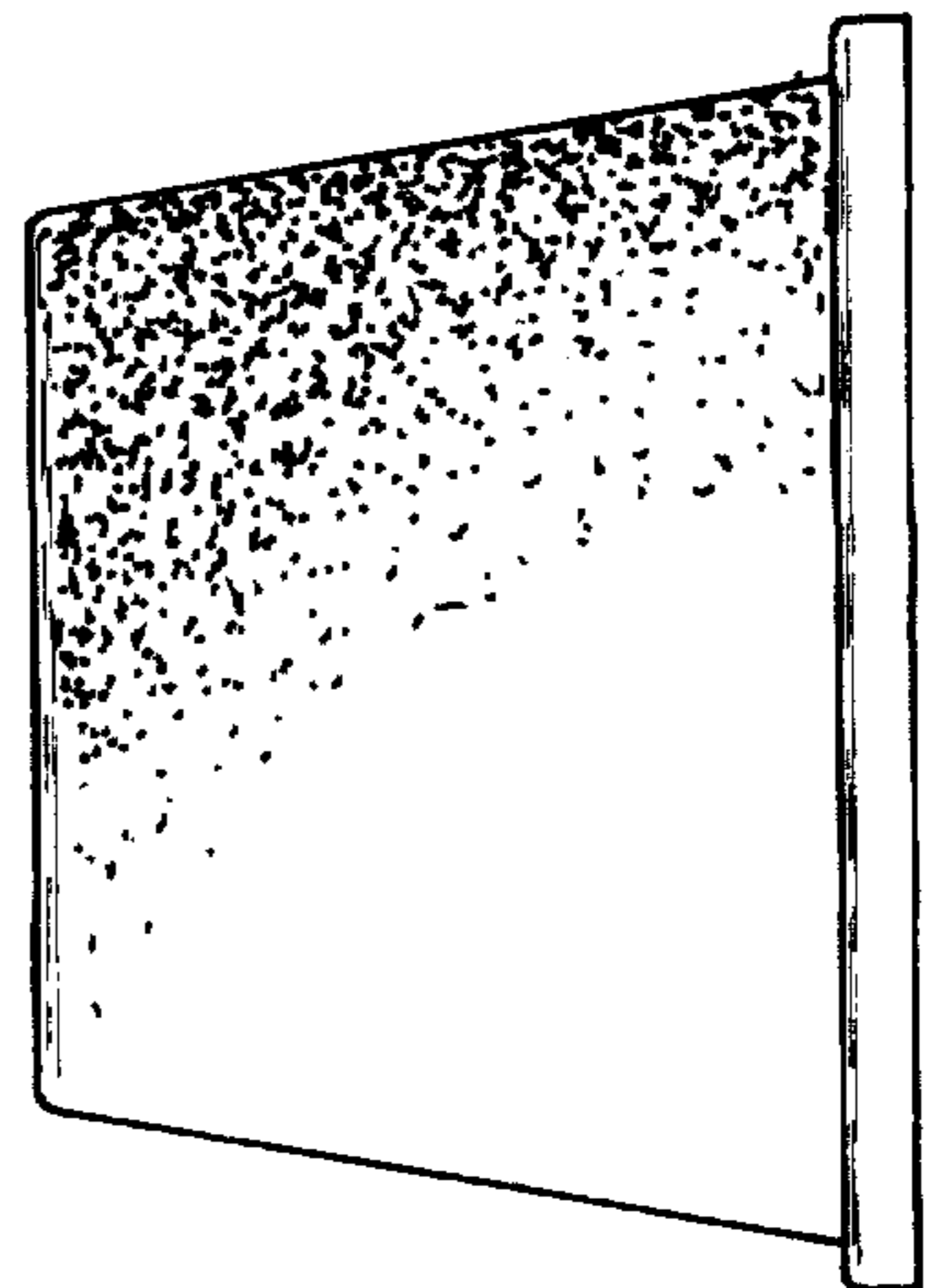


FIG. 4