

[54] **WRENCH**

[75] **Inventor:** Frank A. Kowalewicz, Rochester, Mich.

[73] **Assignee:** Rockwell International Corporation, Pittsburgh, Pa.

[**] **Term:** 14 Years

[21] **Appl. No.:** 184,579

[22] **Filed:** Sep. 8, 1980

[51] **Int. Cl.** D8-05

[52] **U.S. Cl.** D8/27

[58] **Field of Search** D8/27, 21, 23, 22;
81/90 B, 90 C, 111

[56]

References Cited

U.S. PATENT DOCUMENTS

D. 46,260	8/1914	Martin	D8/27 X
D. 199,091	9/1964	Gaskins	D8/27
1,006,348	10/1911	Beran	81/90 B
1,504,847	8/1924	Tarr	81/90 B

Primary Examiner—Alan P. Douglas

[57]

CLAIM

The ornamental design for a wrench, as shown.

DESCRIPTION

FIG. 1 is a perspective view of a wrench embodying my new design;

FIG. 2 is a different perspective view thereof;

FIG. 3 is a side elevational view thereof; and

FIG. 4 is a back elevational view thereof.

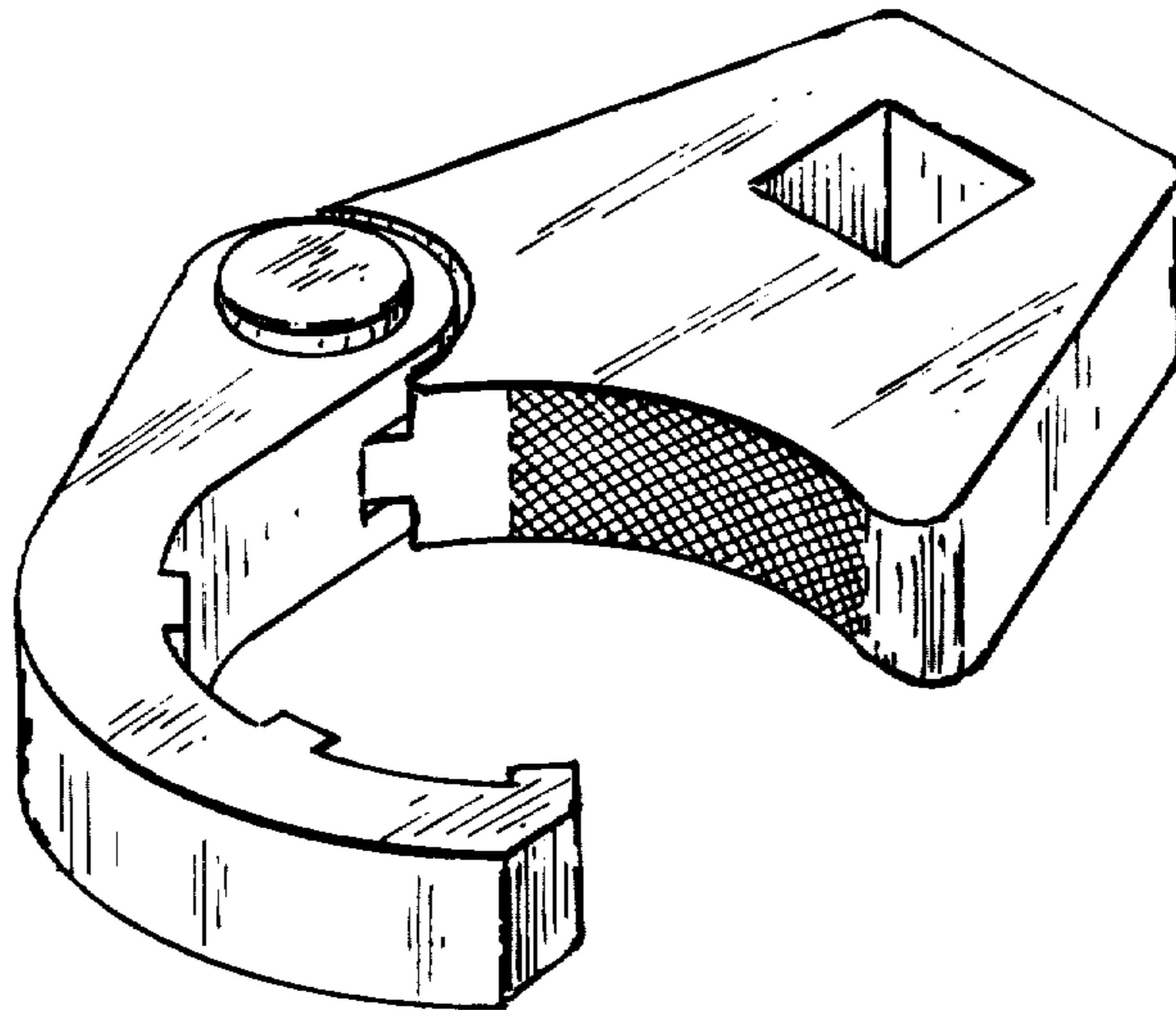


Fig. 1.

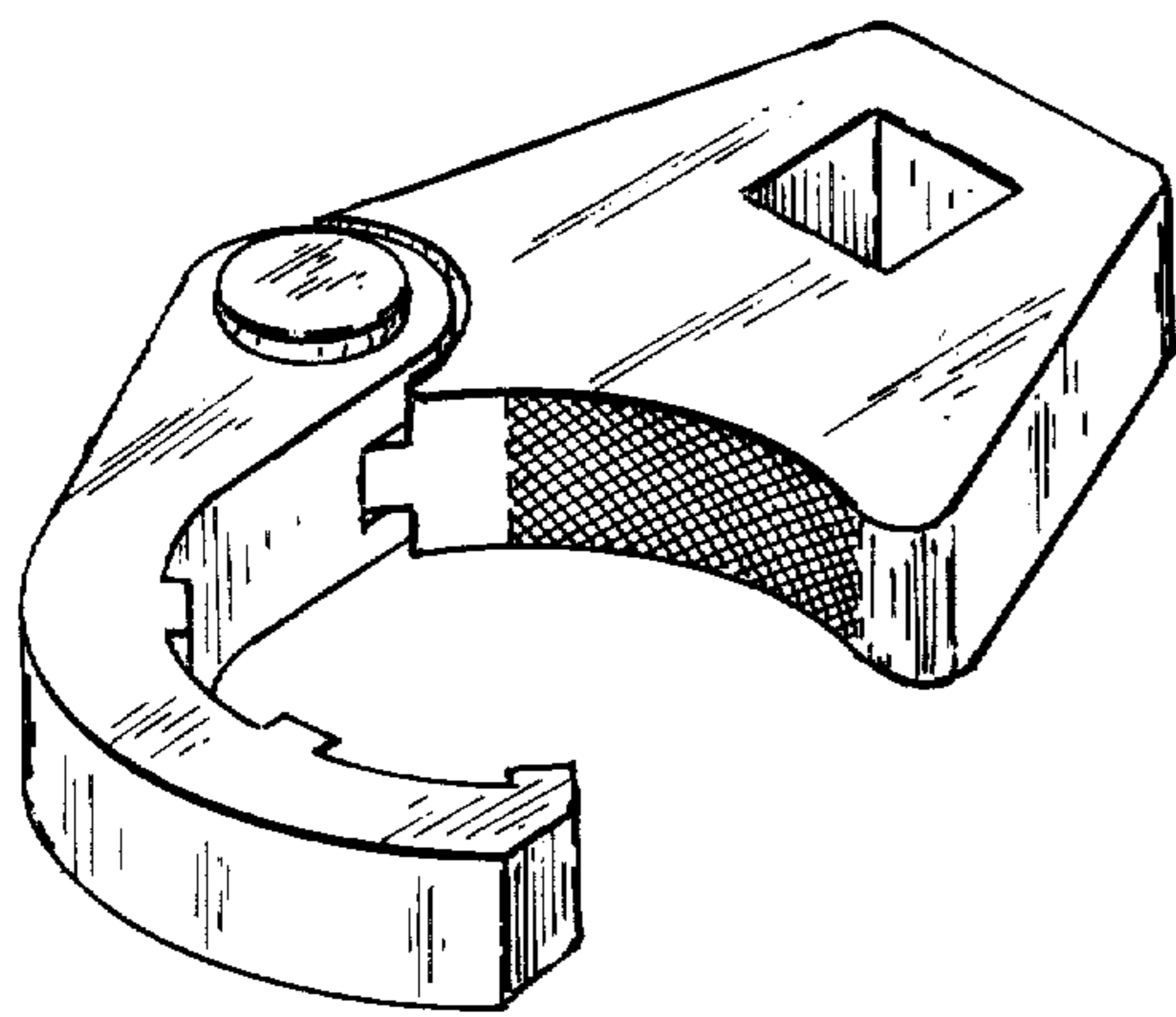


Fig. 2.

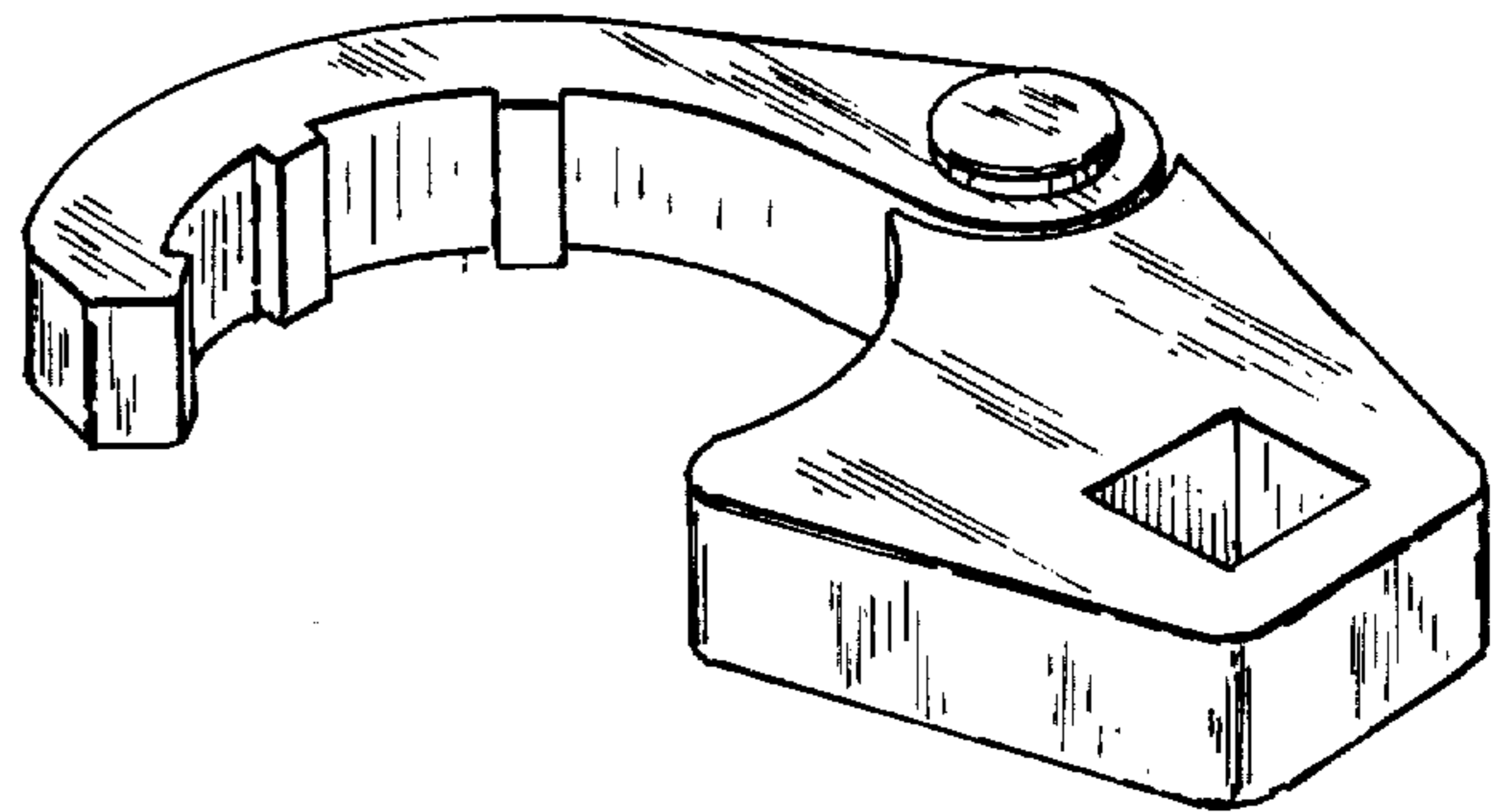


Fig. 3.

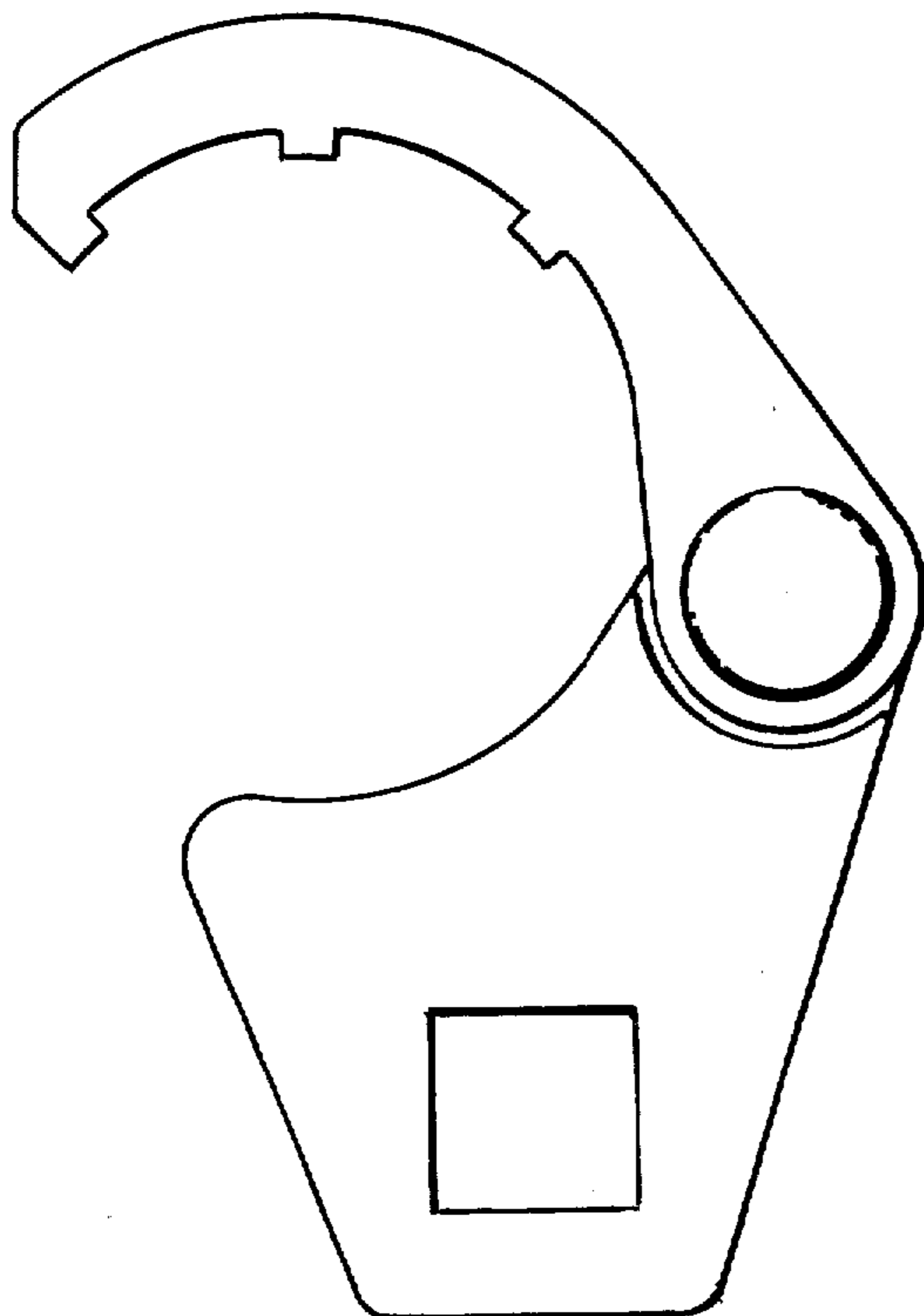


Fig. 4.

