

[54] COMBINED LEG AND FOOT SUPPORT

[76] Inventor: Loel Fenwick, S. 161 Adams, Spokane, Wash. 99204

[**] Term: 14 Years

[21] Appl. No.: 135,871

[22] Filed: Mar. 31, 1980

[51] Int. Cl. D6-99

[52] U.S. Cl. D6/200; D24/64

[58] Field of Search D6/37-39, D6/47, 22; D24/64; 297/423, 438, 439

[56] References Cited

U.S. PATENT DOCUMENTS

D. 170,885	11/1953	Neville	D24/64
D. 239,143	3/1976	Arluck et al.	D24/64
D. 241,902	10/1976	Corbo	D6/200
D. 255,384	6/1980	Finnieston	D24/64
2,375,225	5/1945	Herbert	297/438 X
3,902,737	9/1975	Berger et al.	297/423 X
3,906,943	9/1975	Arluck	D24/64 X

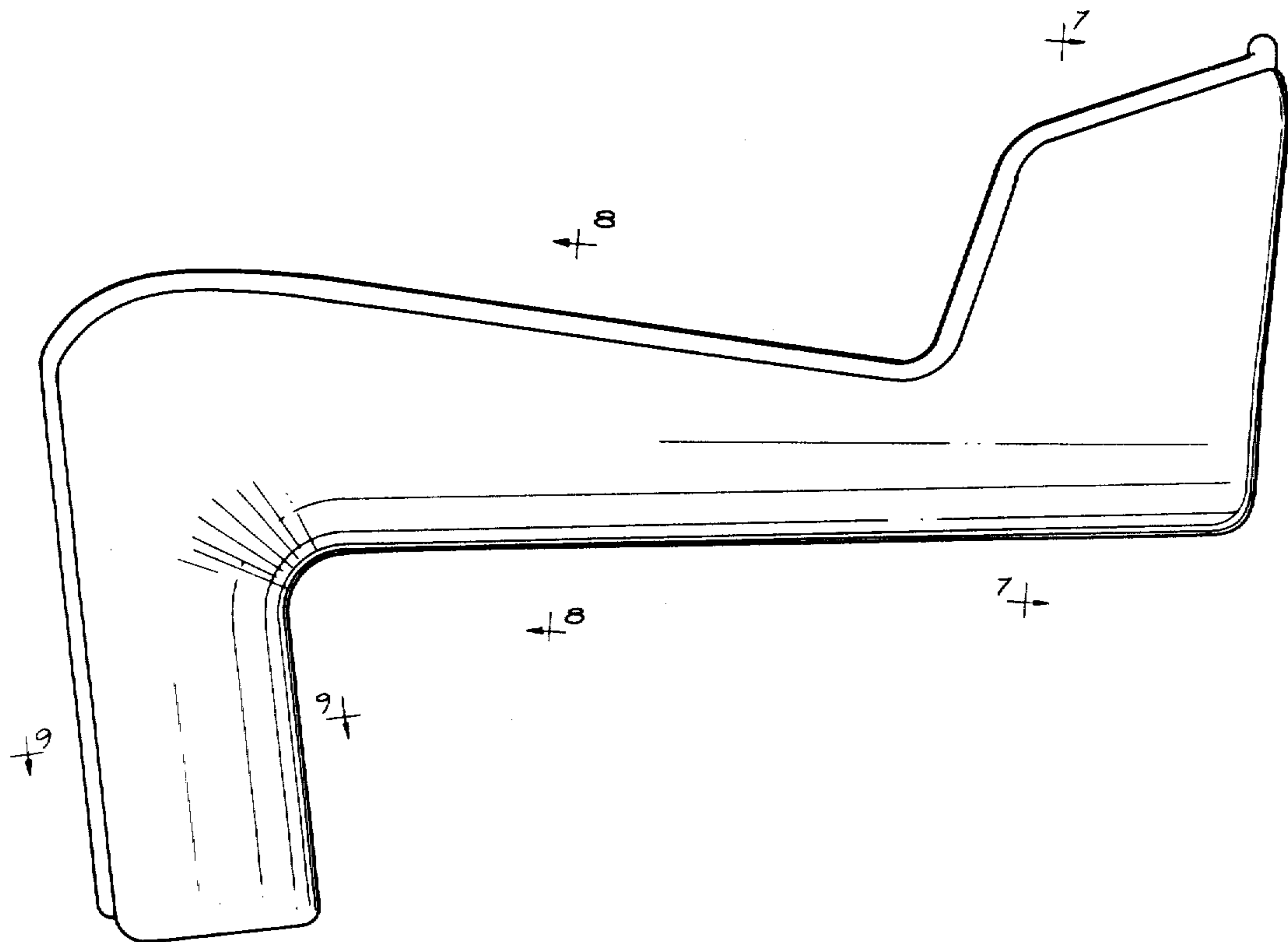
Primary Examiner—Bruce W. Dunkins
Attorney, Agent, or Firm—Wells, St. John & Roberts

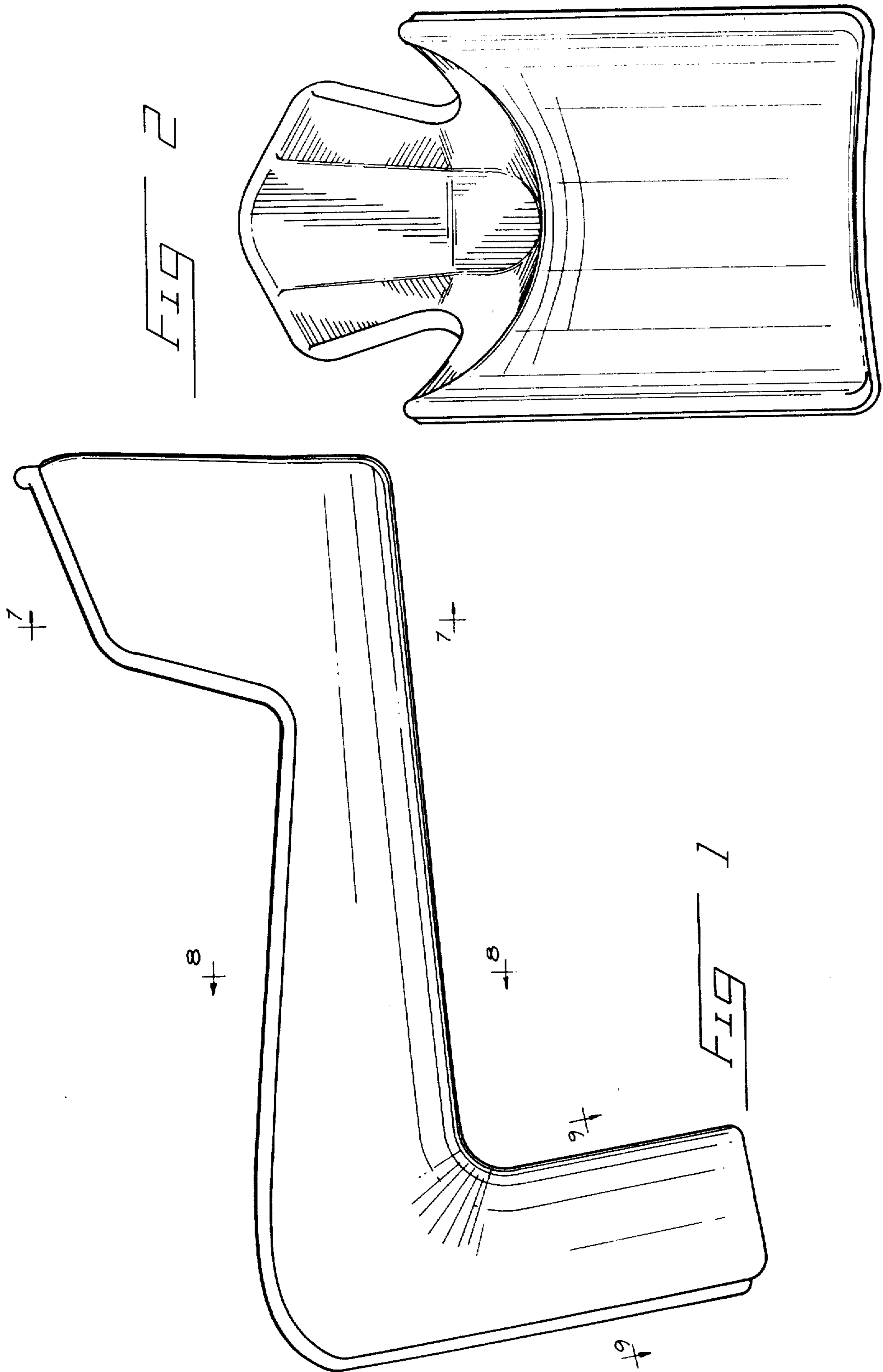
[57] CLAIM

The ornamental design for a combined leg and foot support, as shown.

DESCRIPTION

FIG. 1 is a side elevation view of a combined leg and foot support showing my new design;
 FIG. 2 is an end view as seen from the left in FIG. 1;
 FIG. 3 is an end view as seen from the right in FIG. 1;
 FIG. 4 is a top plan view;
 FIG. 5 is a bottom plan view;
 FIG. 6 is a sectional view taken along line 6—6 in FIG. 5;
 FIG. 7 is a sectional view taken along line 7—7 in FIG. 1;
 FIG. 8 is a sectional view taken along line 8—8 in FIG. 1; and
 FIG. 9 is a sectional view taken along line 9—9 in FIG. 1.





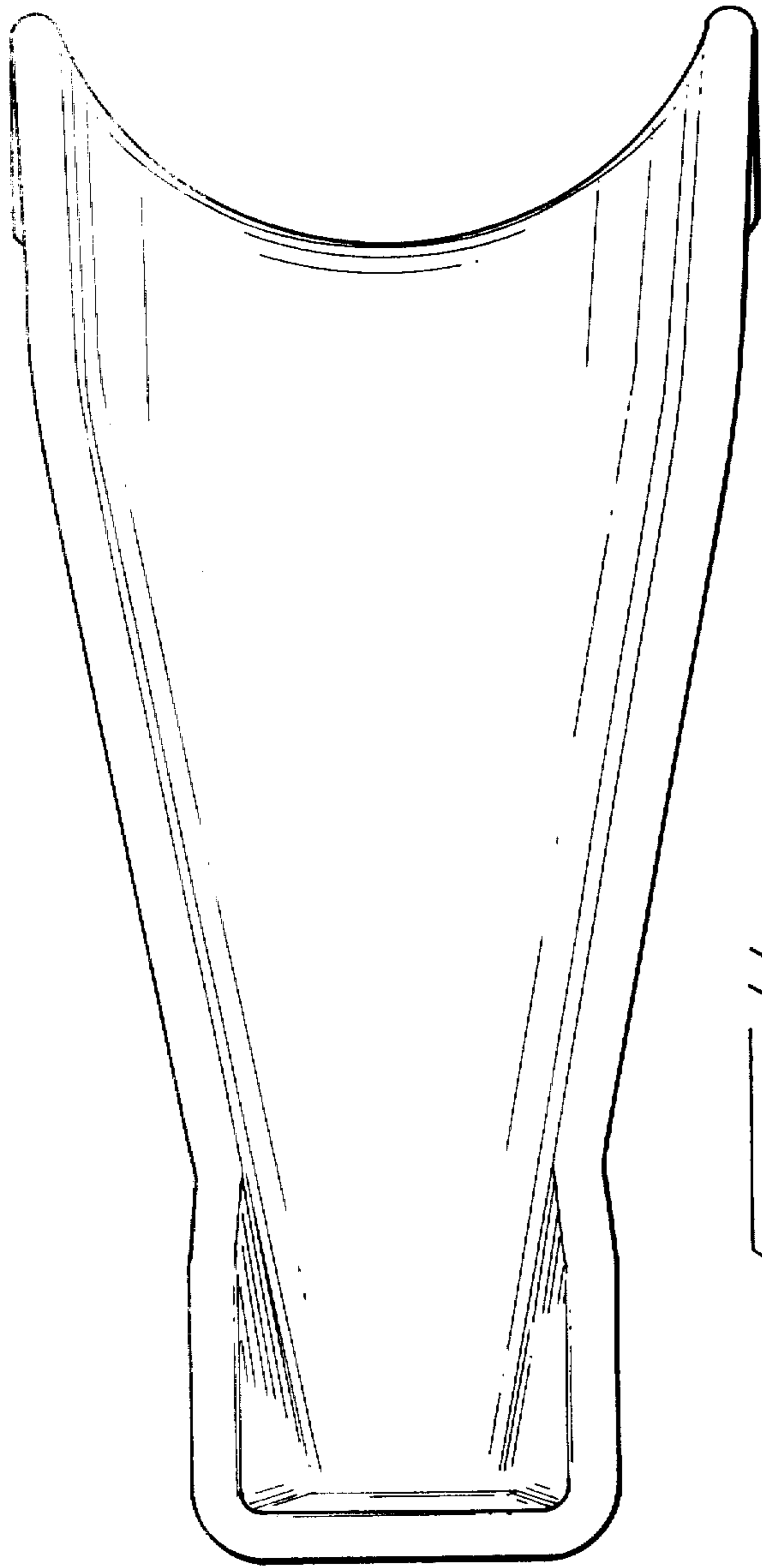


FIG 4

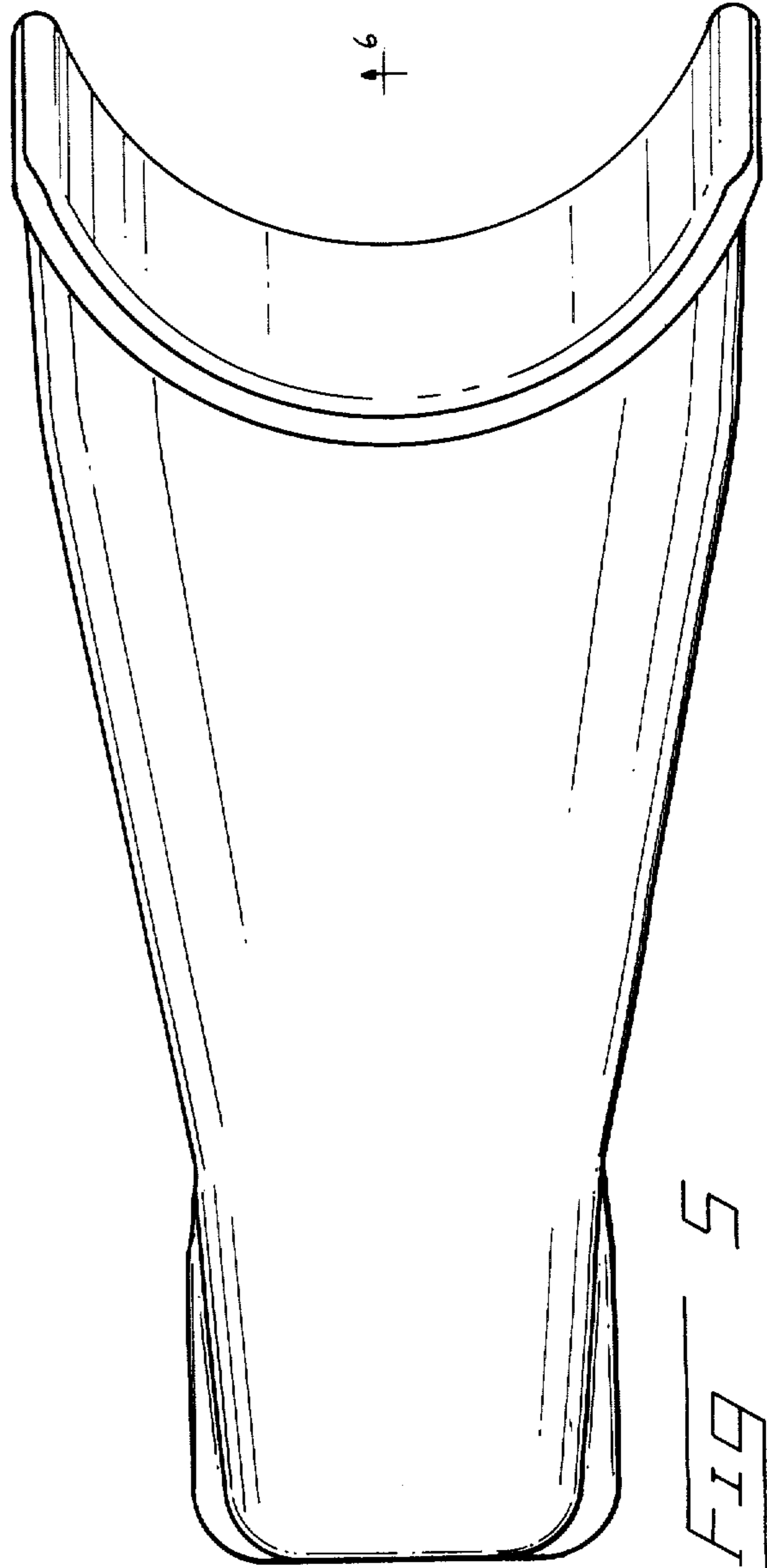


FIG 5

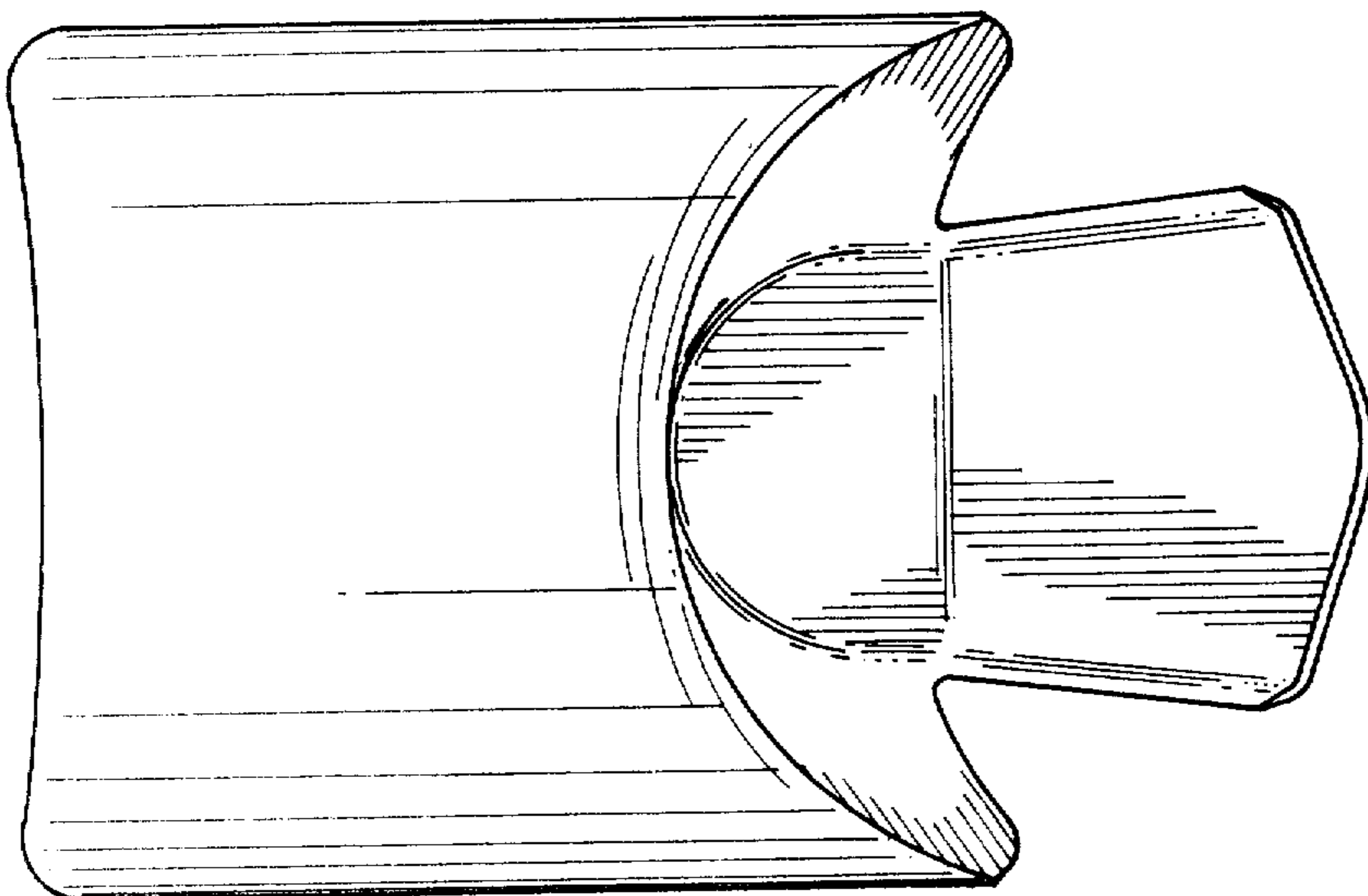


FIG 3

