

[54] TABLE A-FRAME FOR A BOOTH SEATING SYSTEM

[75] Inventor: Scott D. Crowe, 715 W. Longden Ave., Arcadia, Calif. 91106

[73] Assignee: Scott D. Crowe, Camarillo, Calif.

[**] Term: 14 Years

[21] Appl. No.: 245,581

[22] Filed: Mar. 19, 1981

[51] Int. Cl. D6-06

[52] U.S. Cl. D6/191; D6/196

[58] Field of Search D6/42, 43, 45, 191, D6/196; 297/157, 159; 108/35

[56] References Cited

U.S. PATENT DOCUMENTS

D. 228,162	8/1973	Fink	D6/45
D. 244,067	4/1977	Uhl	D6/45
D. 265,787	8/1982	Berquist	D6/191 X
3,574,393	4/1971	Hughes	D6/45 X

OTHER PUBLICATIONS

Food Service Equipment Dealer, Sep. 1969, p. 31, Seat & Table Unit at center.

Primary Examiner—Bruce W. Dunkins
Attorney, Agent, or Firm—Edward J. DaRin

[57] CLAIM

The ornamental design for a table A-frame for a booth seating system, or the like, substantially as shown and described.

DESCRIPTION

FIG. 1 is a top plan view of the table A-frame for a booth seating system, or the like, and showing my new design;

FIG. 2 is a side elevational view thereof, the opposite side being the mirror image thereof;

FIG. 3 is a left side elevational view thereof; and

FIG. 4 is a right side elevational view thereof.

The bottom side of the table A-frame is plain and unornamental.

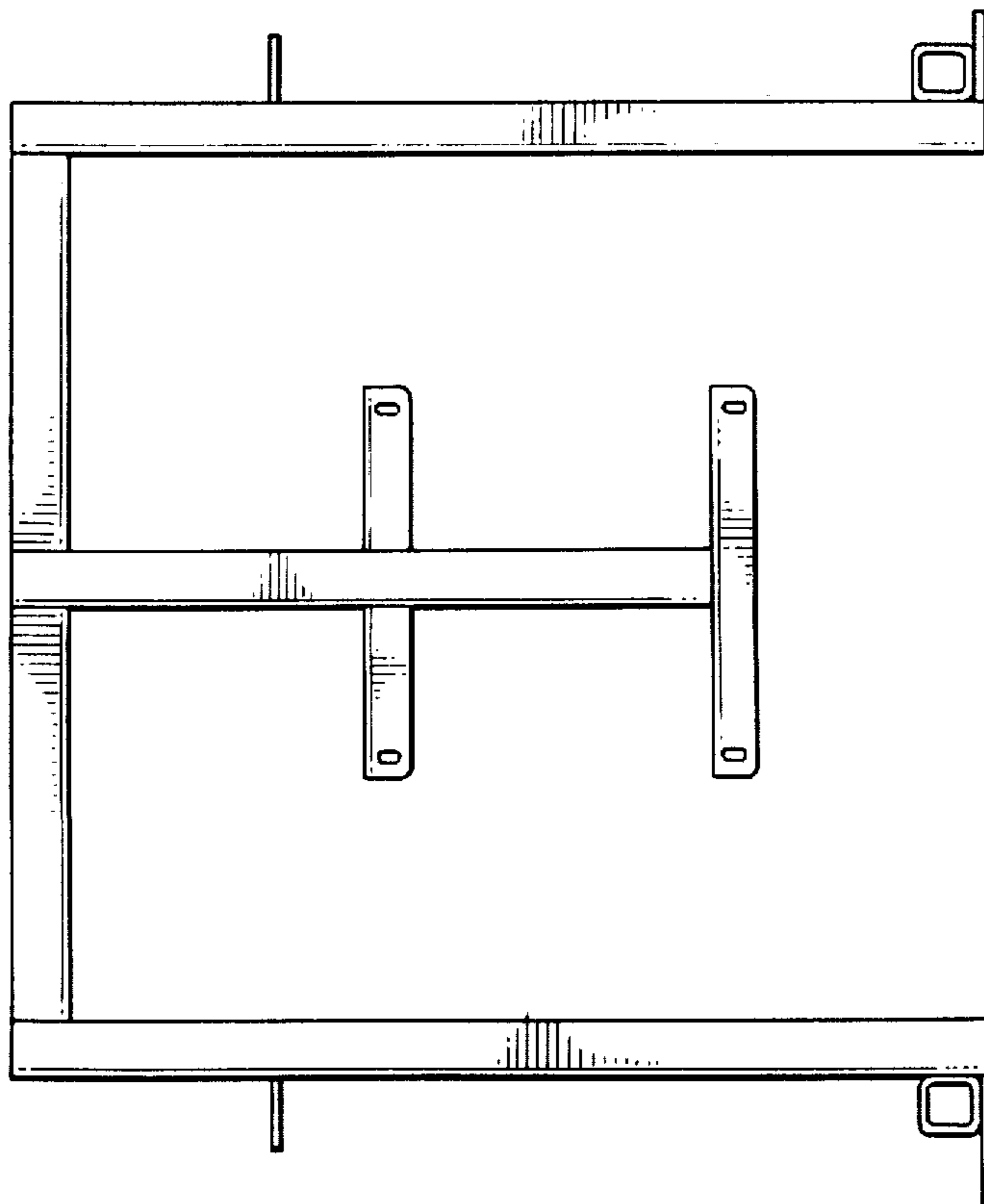


FIG. 1.

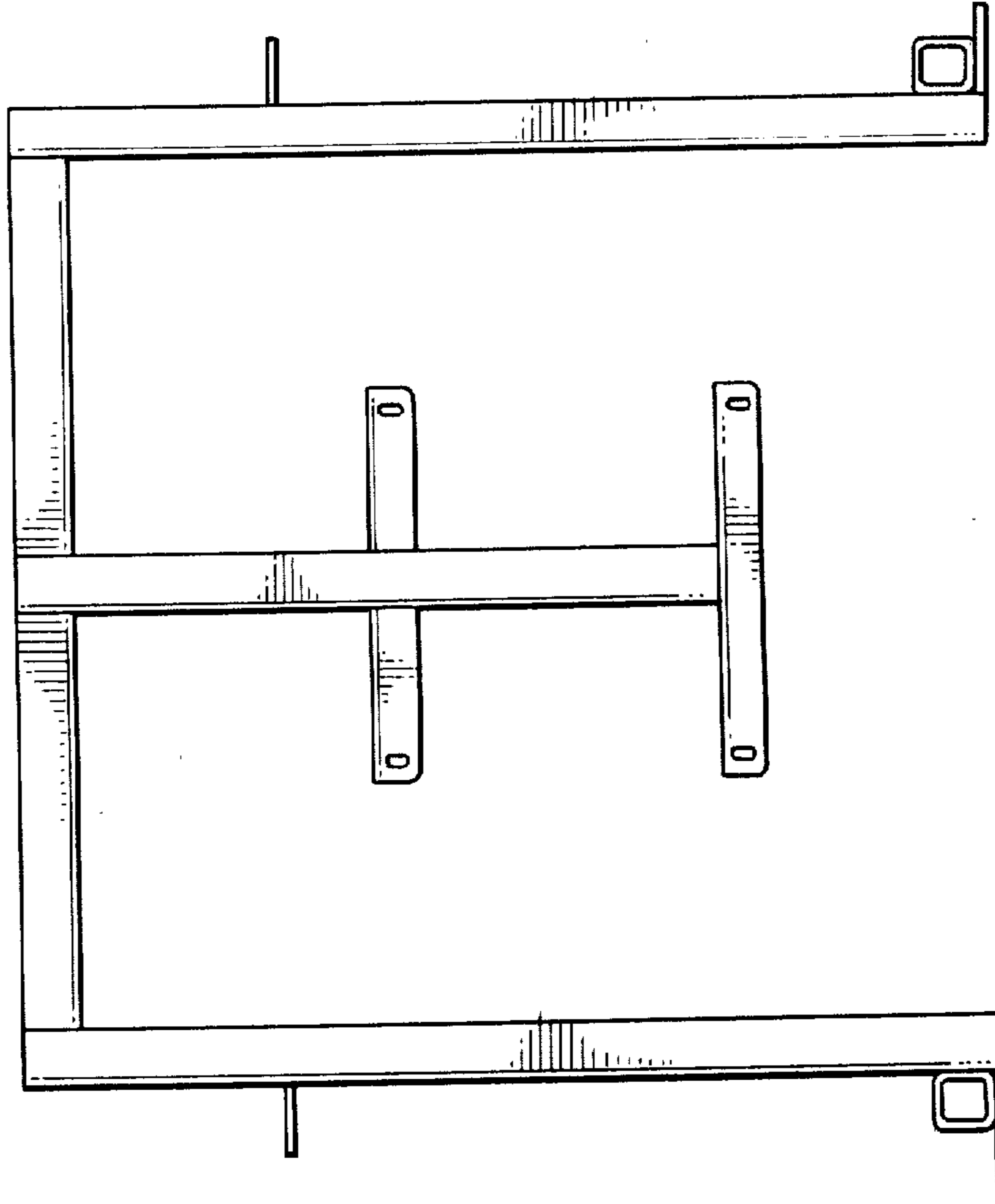


FIG. 2.

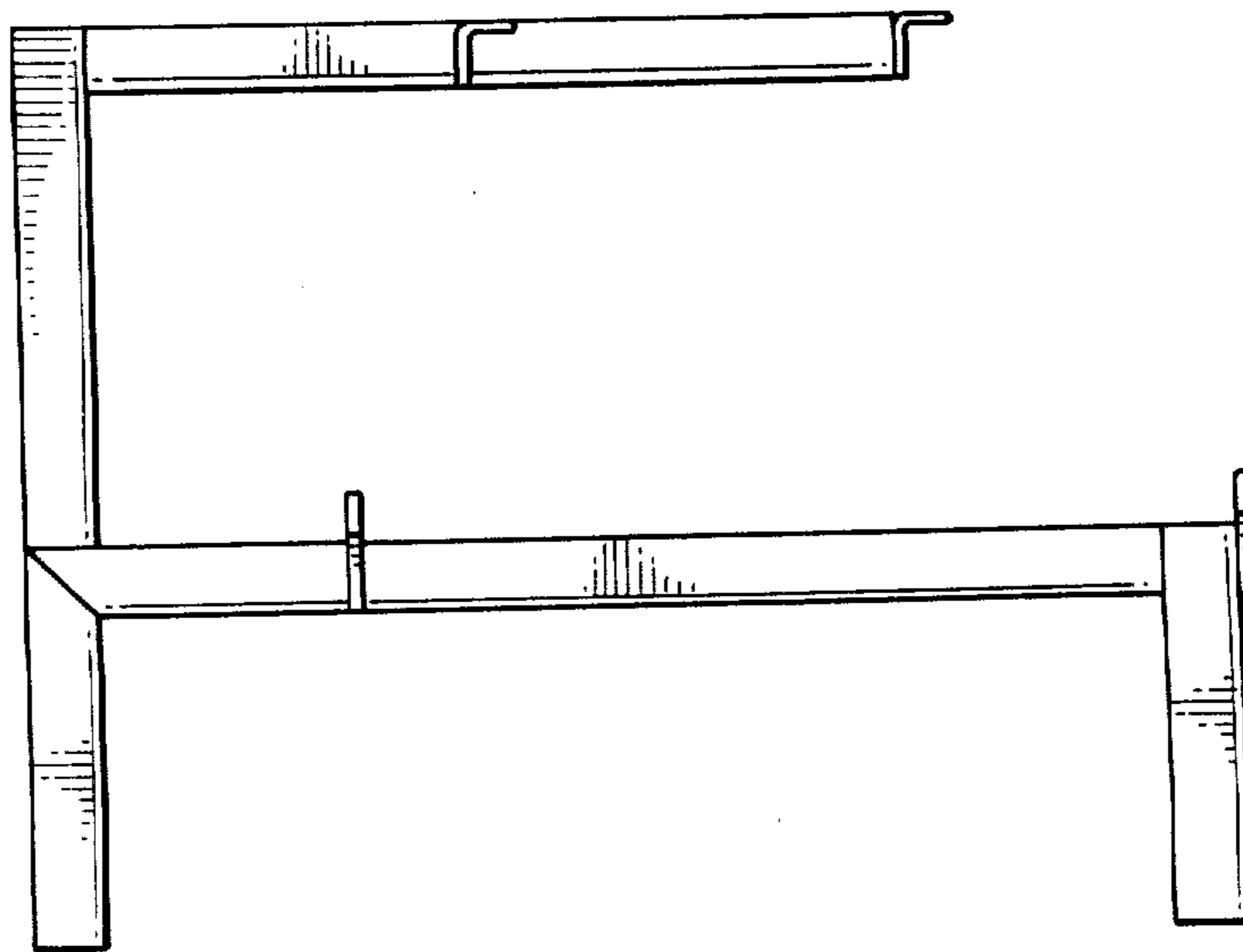


FIG. 3.

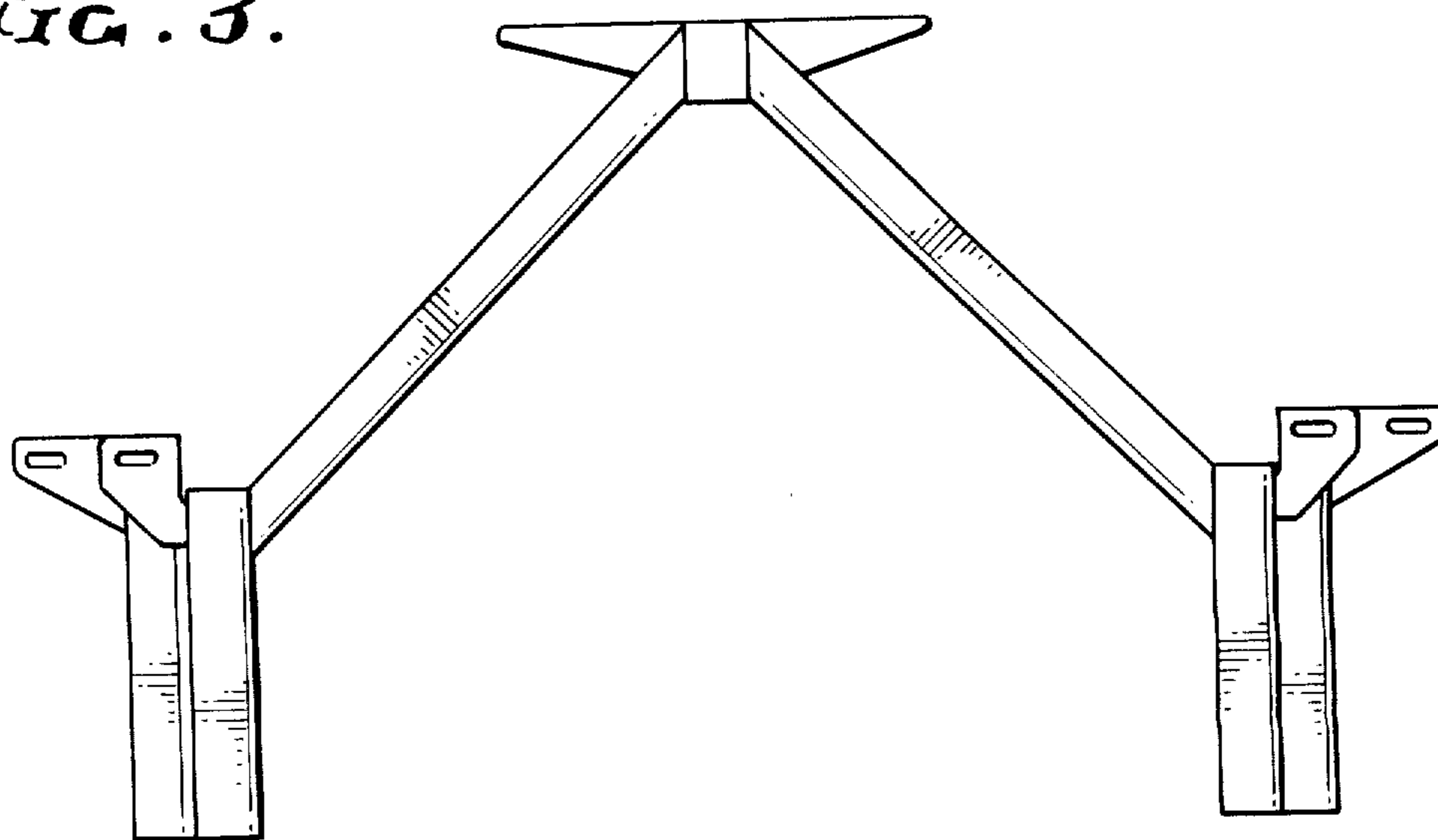


FIG. 4.

