

[54] COUNTER ARMCHAIR

[76] Inventor: David L. Rowland, 8 E. 62nd St., New York, N.Y. 10021

[**] Term: 14 Years

[21] Appl. No.: 158,328

[22] Filed: Jun. 10, 1980

[51] Int. Cl. D6-01

[52] U.S. Cl. D6/72; D6/35

[58] Field of Search D6/32-36, D6/47-78; 297/239, 440, 445, 450

[56] References Cited

U.S. PATENT DOCUMENTS

- D. 248,432 7/1978 Petersen D6/72
- 3,767,261 10/1973 Rowland D6/76 X
- 3,845,986 11/1974 Rowland D6/76 X

OTHER PUBLICATIONS

Interiors, 1-1973, p. 117, Chair top center.

Primary Examiner—Bruce W. Dunkins
Attorney, Agent, or Firm—Owen, Wickersham & Erickson

[57] CLAIM

The ornamental design for a counter armchair, substantially as shown and described.

DESCRIPTION

FIG. 1 is a perspective view, looking from the front and side at about a 45° angle, of a counter armchair embodying my new design.

FIG. 2 is a perspective view thereof, looking from one side.

FIG. 3 is a perspective view thereof, looking down from above and from the rear at about 45°.

FIG. 4 is a perspective view thereof, looking from the rear and slightly above.

FIG. 5 is a bottom view thereof.

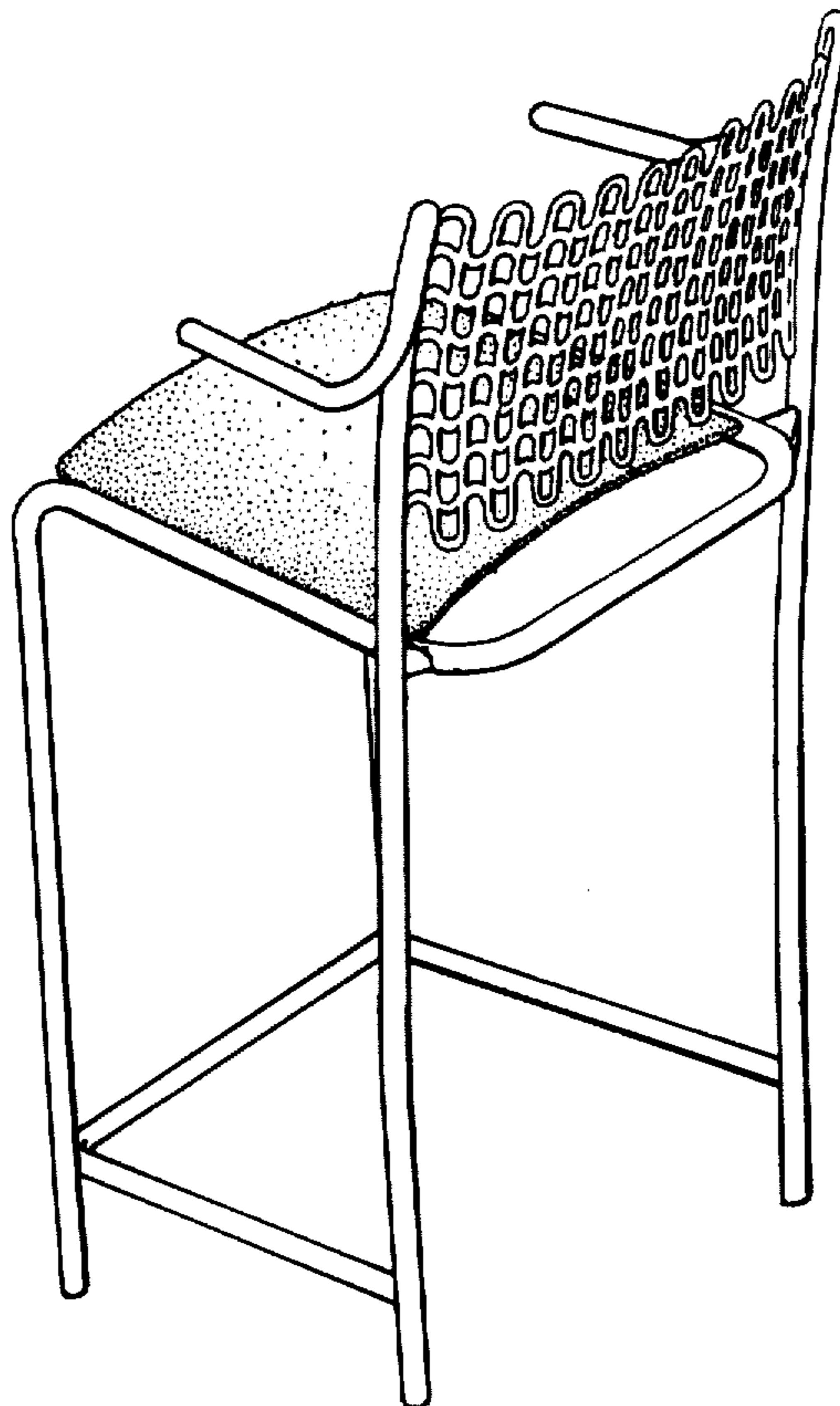
FIG. 6 is a perspective view, looking down from above and from one side and the front of a modified form of counter armchair also embodying my new design.

FIG. 7 is a perspective view of the counter armchair of FIG. 6, looking from the rear and one side and from above.

FIG. 8 is a perspective view, looking down from the front and one side of another modified form of counter armchair also embodying my new design.

FIG. 9 is a perspective view of the counter armchair of FIG. 8, looking down from the rear and one side.

FIG. 10 is a bottom view of the counter armchair of FIGS. 8 and 9.



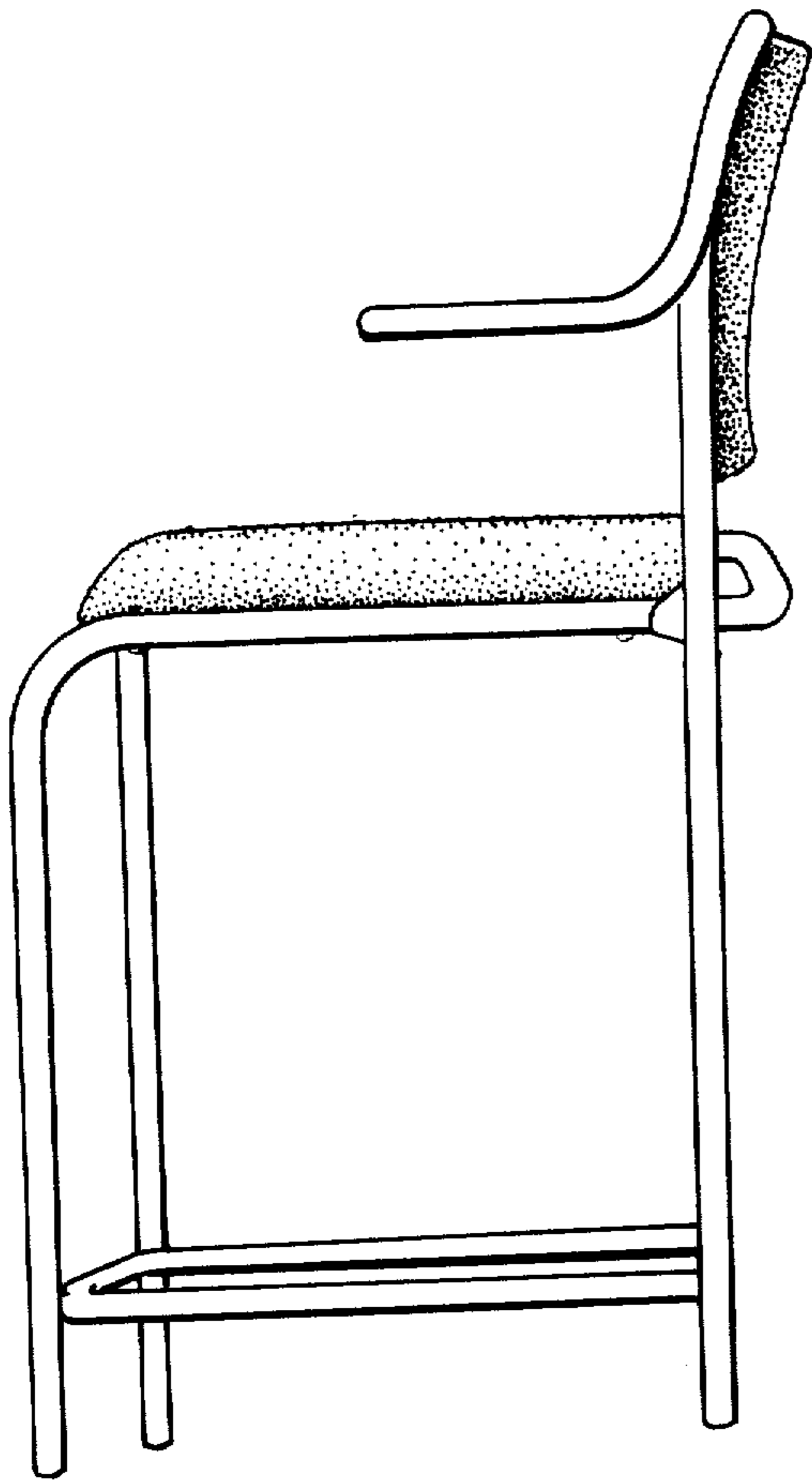


FIG. 2

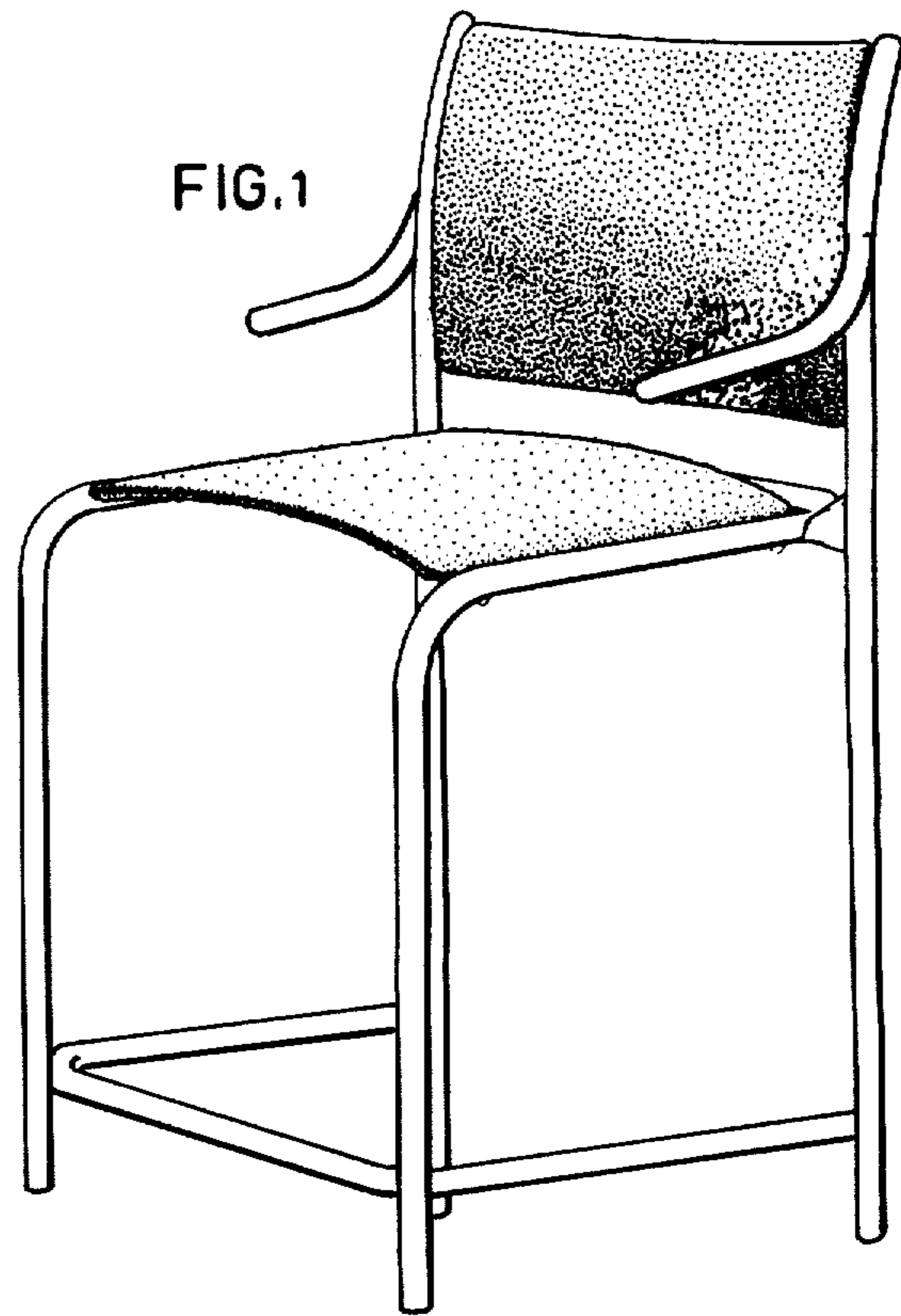


FIG. 1

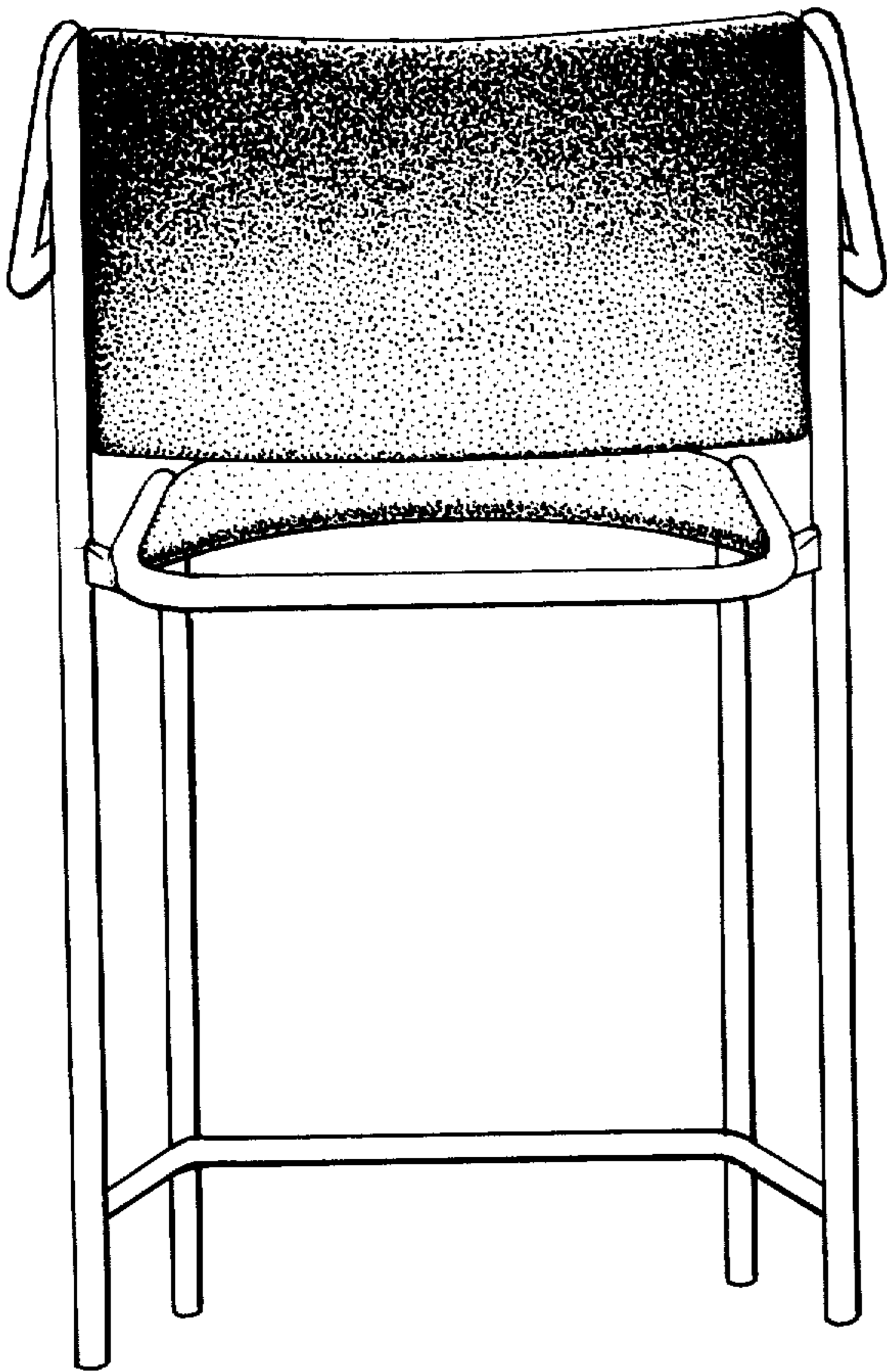


FIG. 3

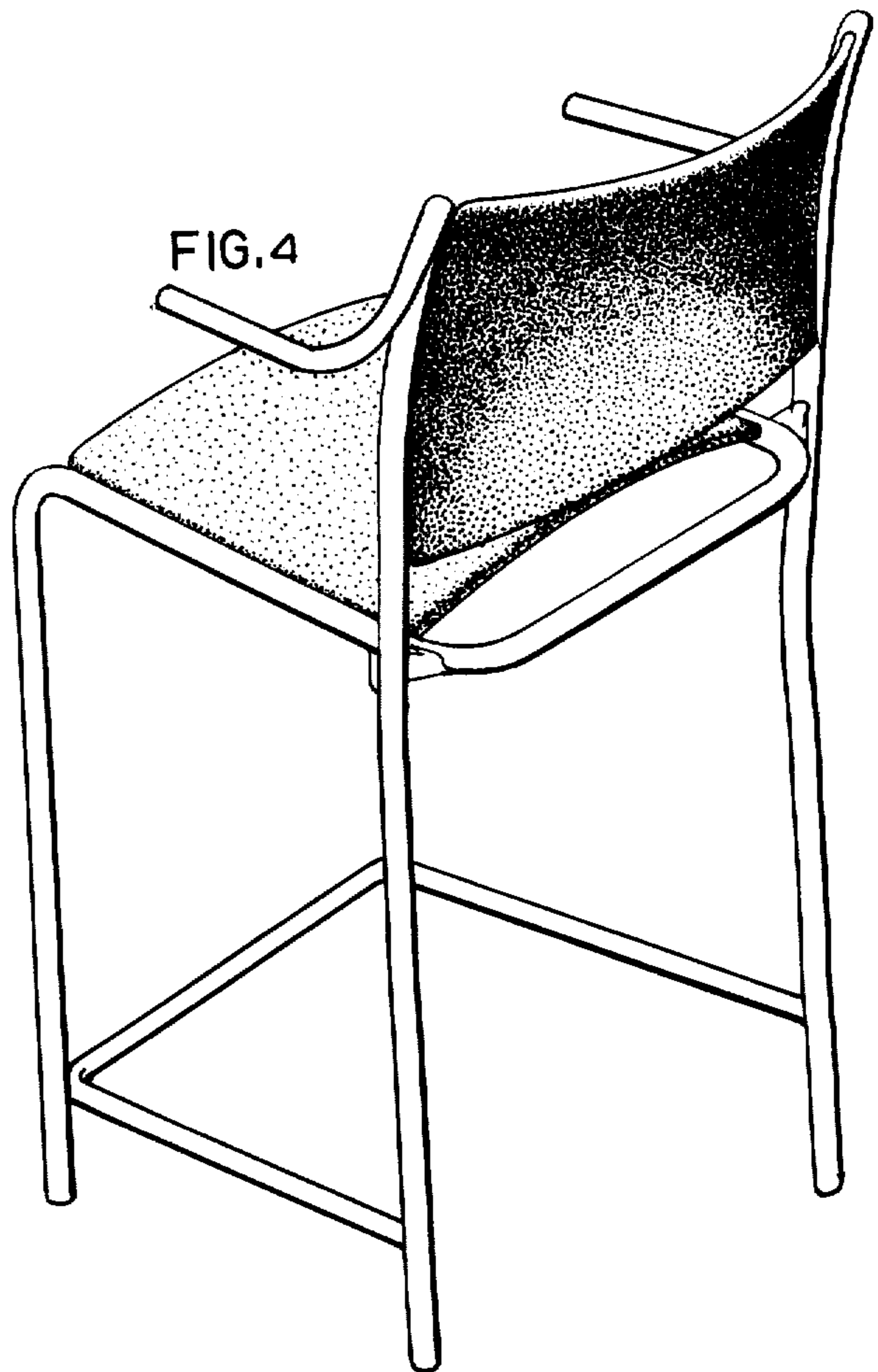


FIG. 4

FIG. 5

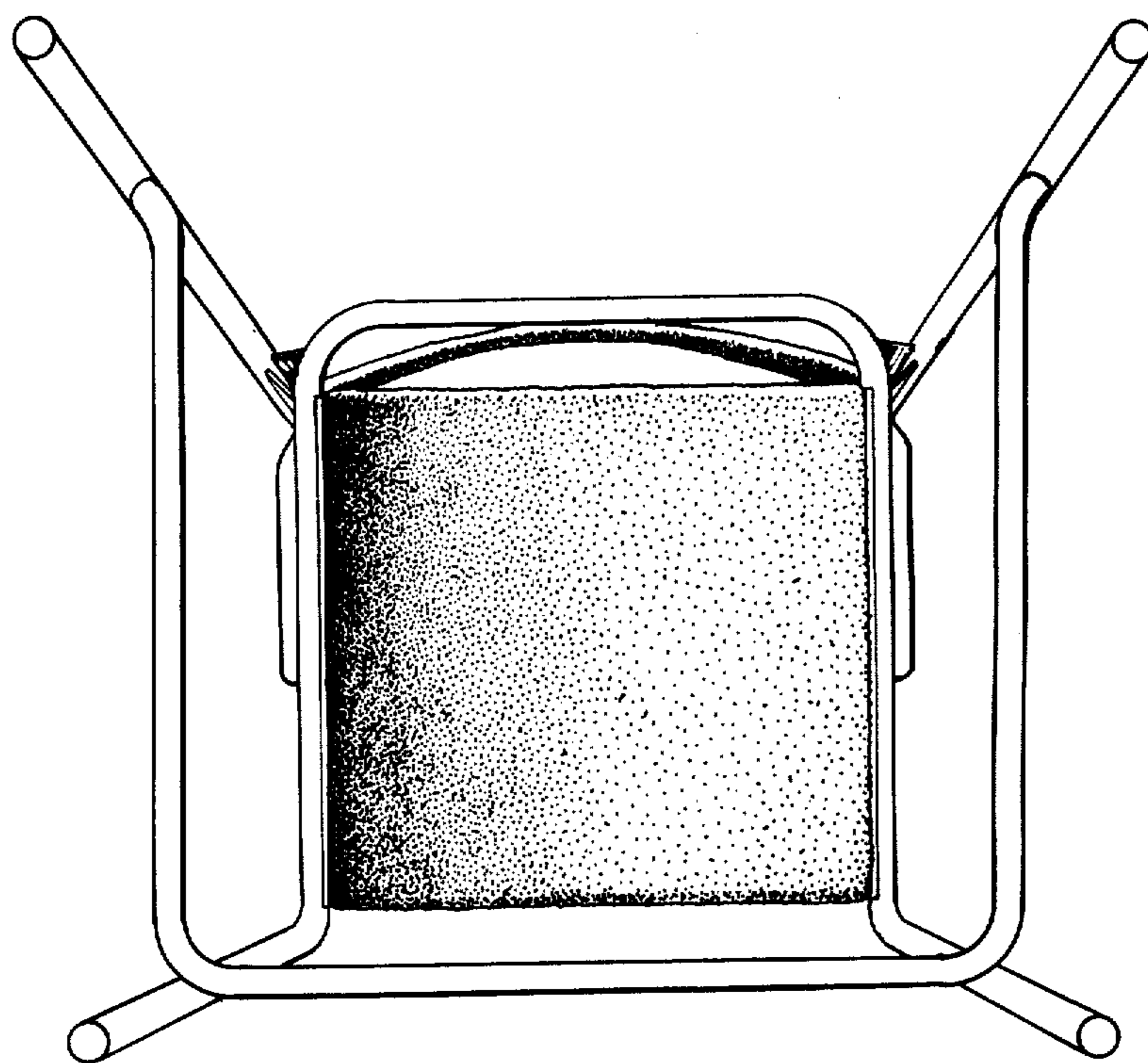


FIG.6

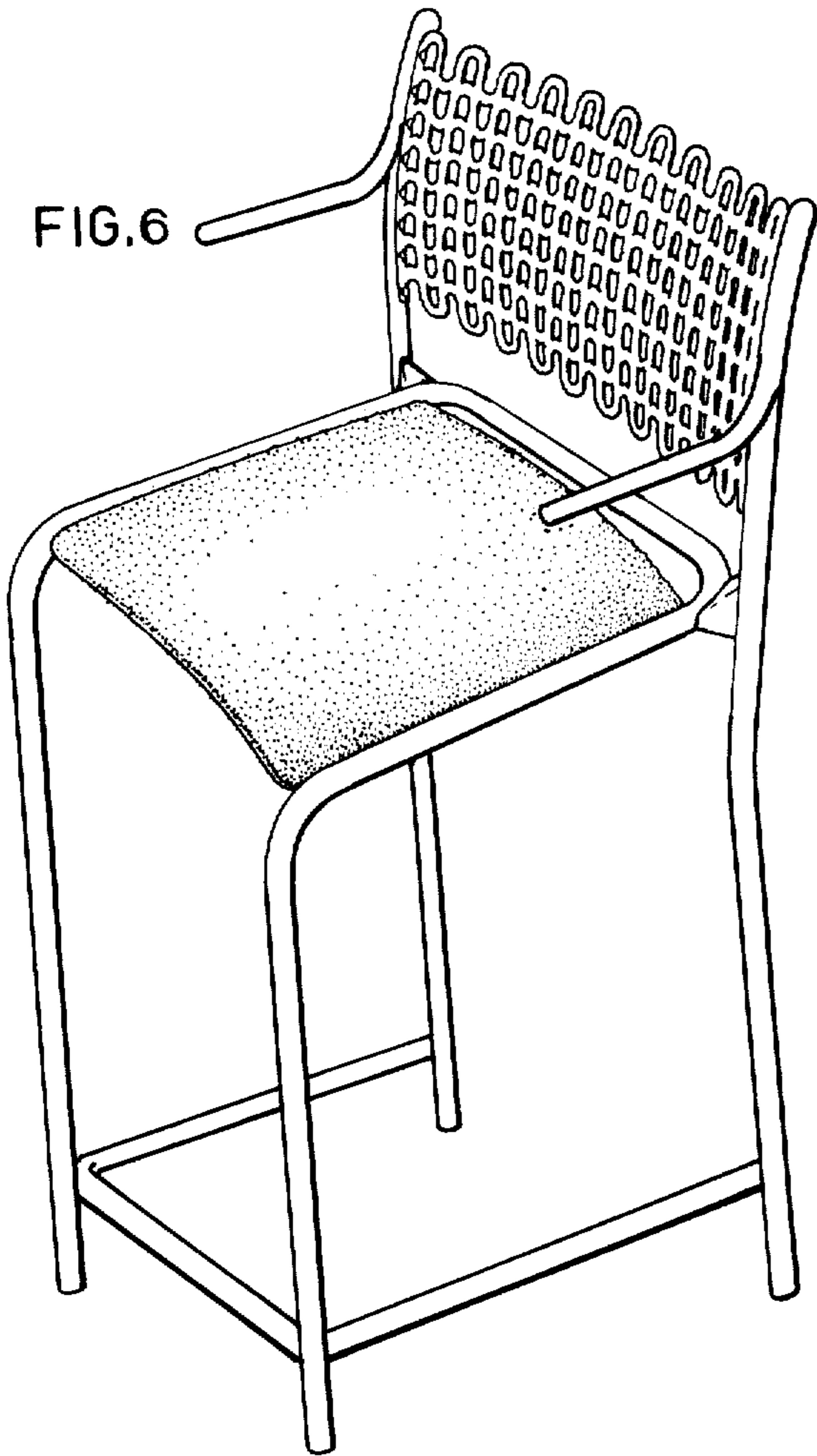
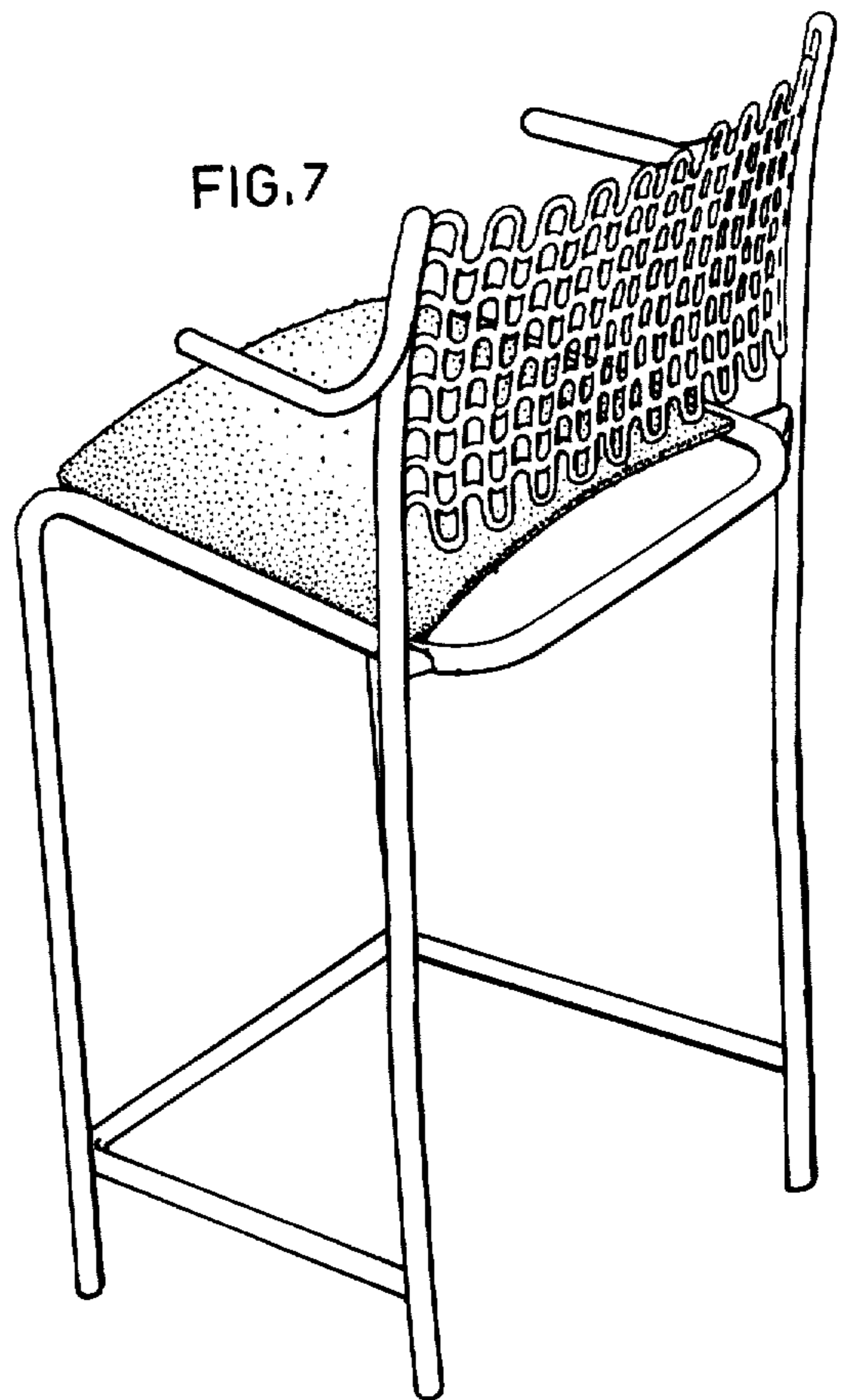


FIG.7



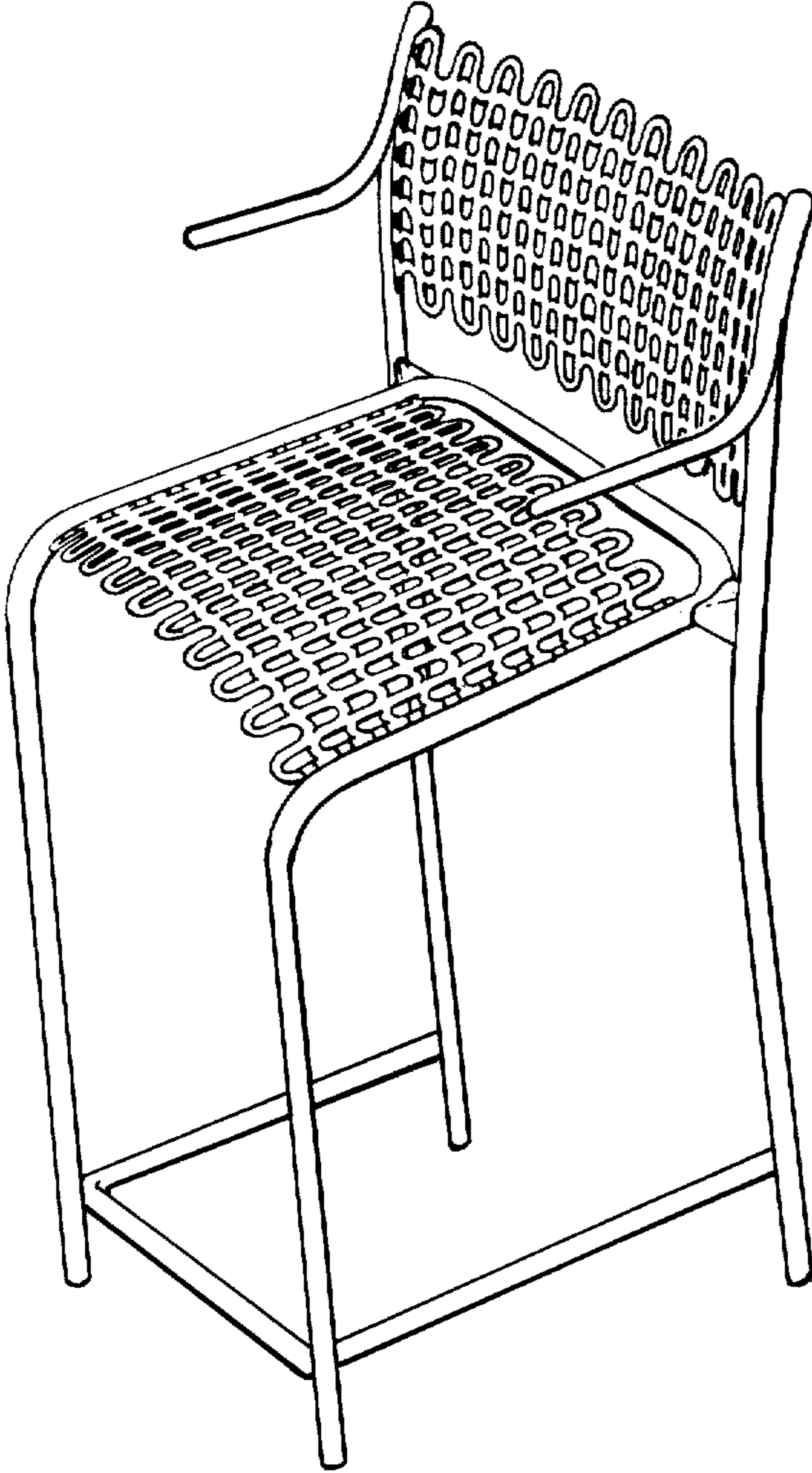


FIG.8

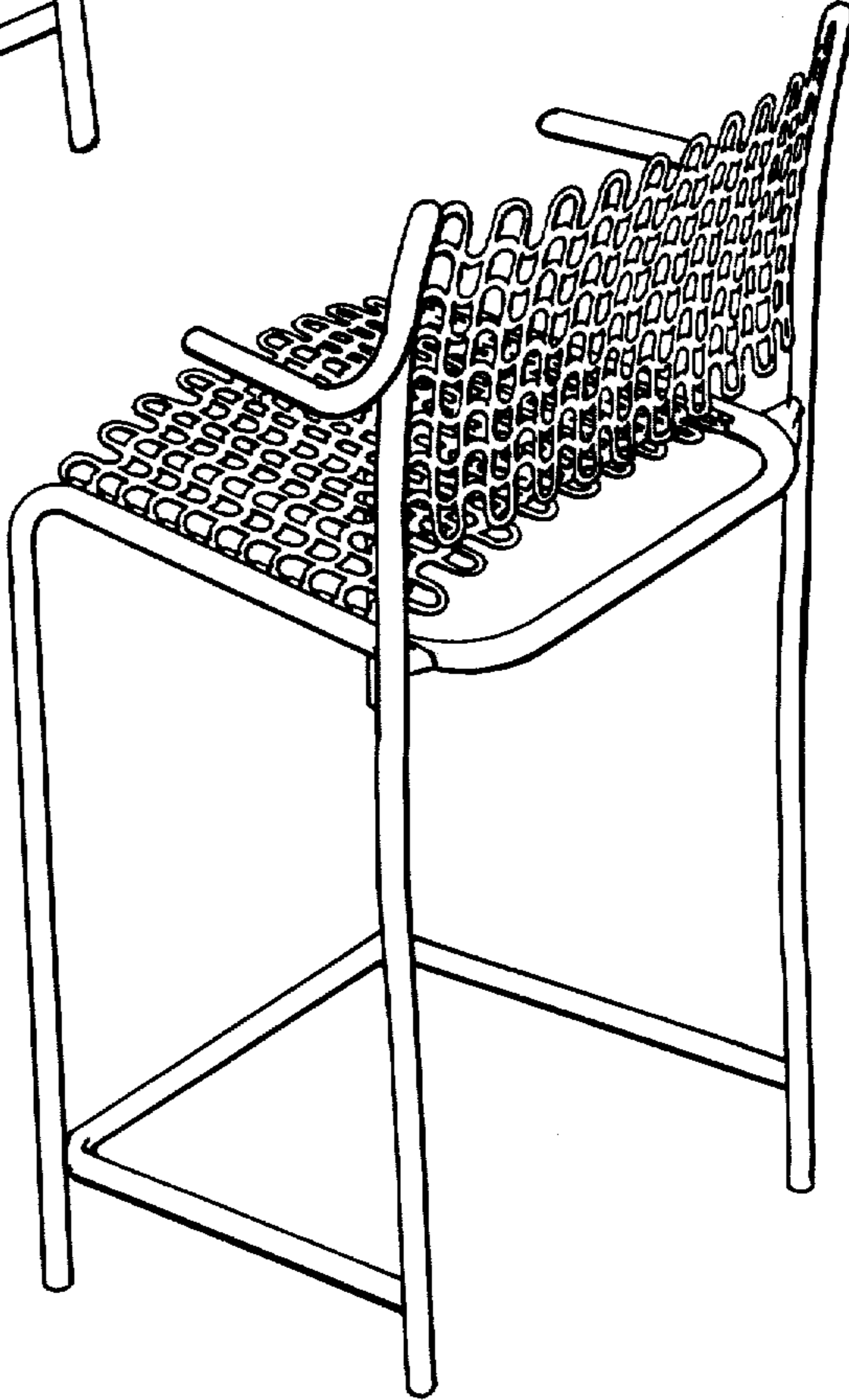


FIG.9

FIG. 10

