

[54] LAMP

[76] Inventor: **Kathy L. Sweetman**, 936 W. Isabella, Mesa, Ariz. 85202

[\*\*] Term: **14 Years**

[21] Appl. No.: **208,882**

[22] Filed: **Nov. 21, 1980**

[51] Int. Cl. .... **D26-02**

[52] U.S. Cl. .... **D26/8**

[58] Field of Search ..... **D26/8-23, D26/6; 431/125, 126, 288-297; 362/158, 101**

[56] **References Cited**

**U.S. PATENT DOCUMENTS**

- D. 50,671 4/1917 Will ..... D26/6
- D. 106,168 9/1937 Gilmore ..... D26/8

- 653,617 7/1900 Climenson et al. .... 362/101 X
- 3,697,739 10/1972 Novak et al. .... 431/125 X

**FOREIGN PATENT DOCUMENTS**

- 851609 10/1960 United Kingdom ..... 43/291

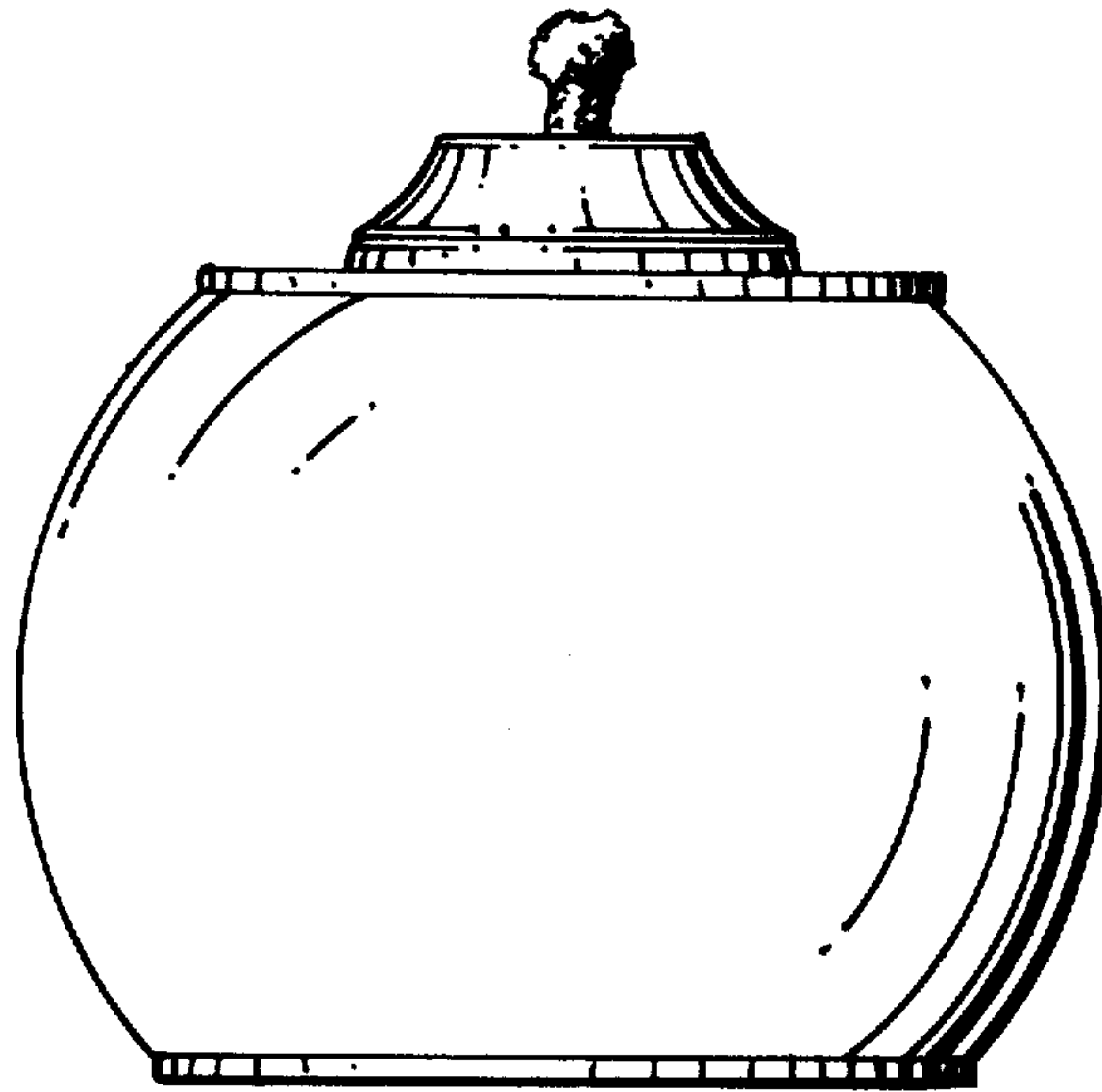
*Primary Examiner*—Susan J. Lucas  
*Attorney, Agent, or Firm*—Cahill, Sutton & Thomas

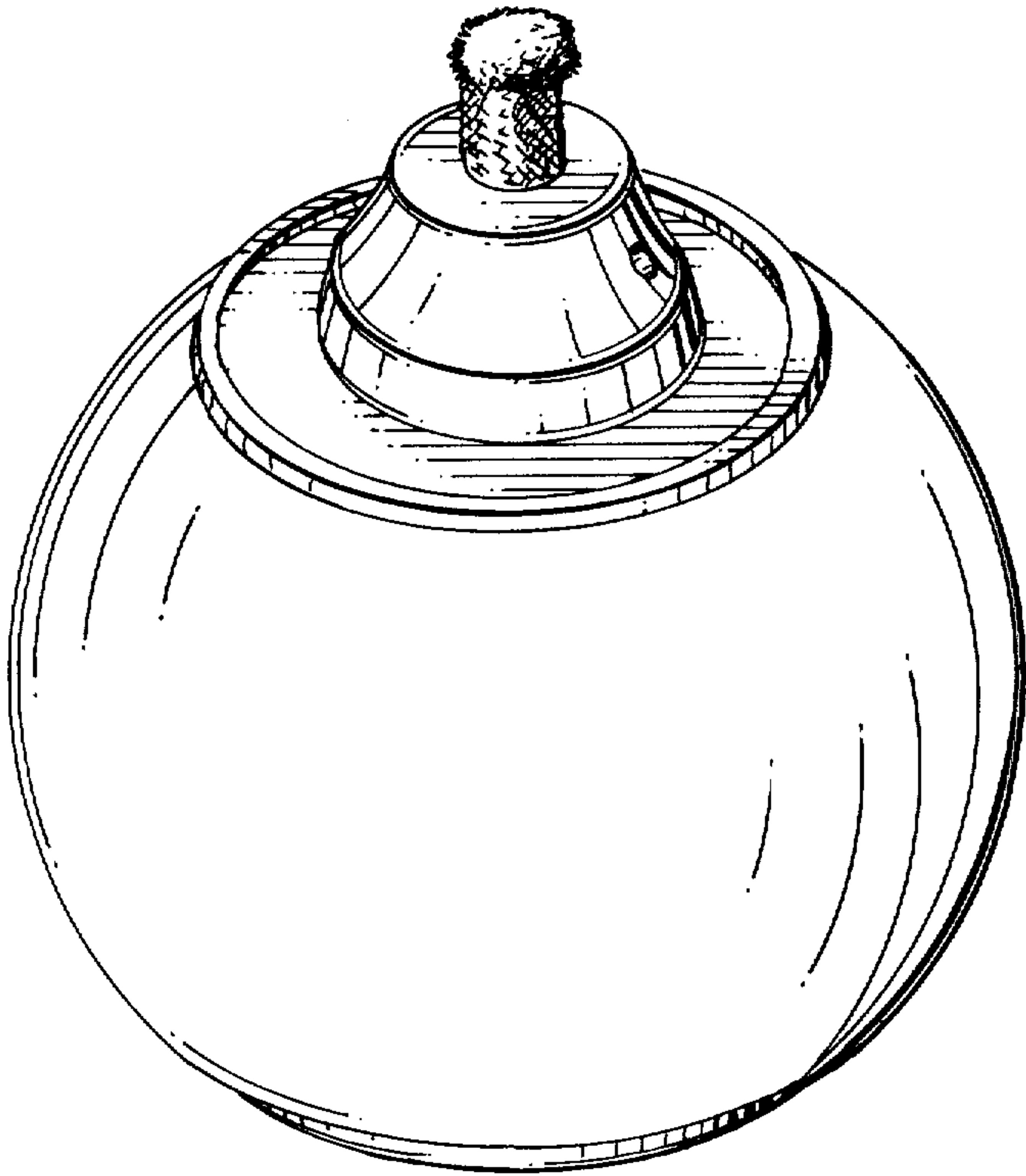
[57] **CLAIM**

The ornamental design for a lamp, as shown and described.

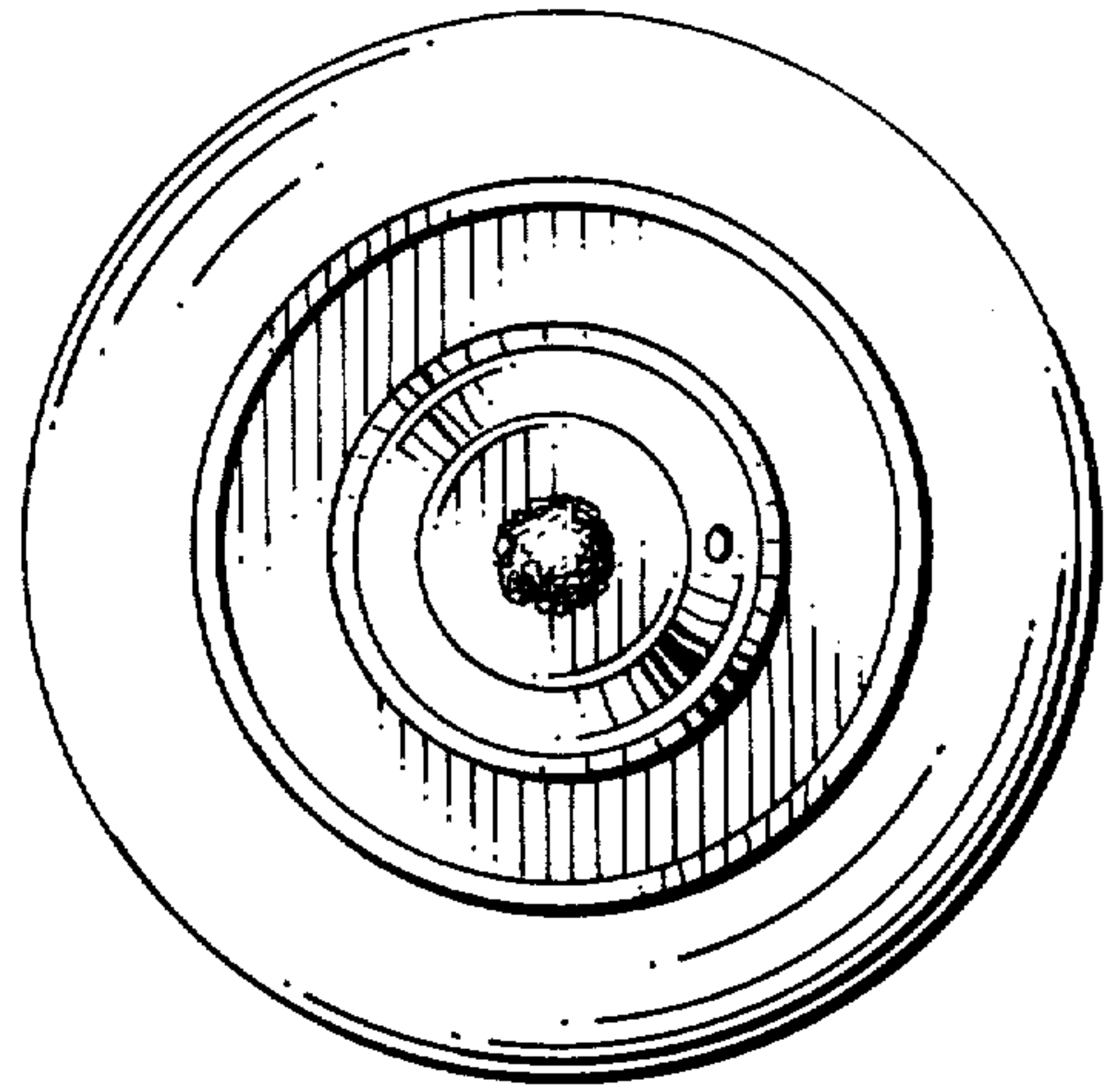
**DESCRIPTION**

- FIG. 1 is a top isometric view of a lamp showing my new design;
- FIG. 2 is a bottom isometric view thereof;
- FIG. 3 is a top view thereof on a reduced scale;
- FIG. 4 is a bottom view thereof on a reduced scale; and
- FIG. 5 is a side elevational view thereof.

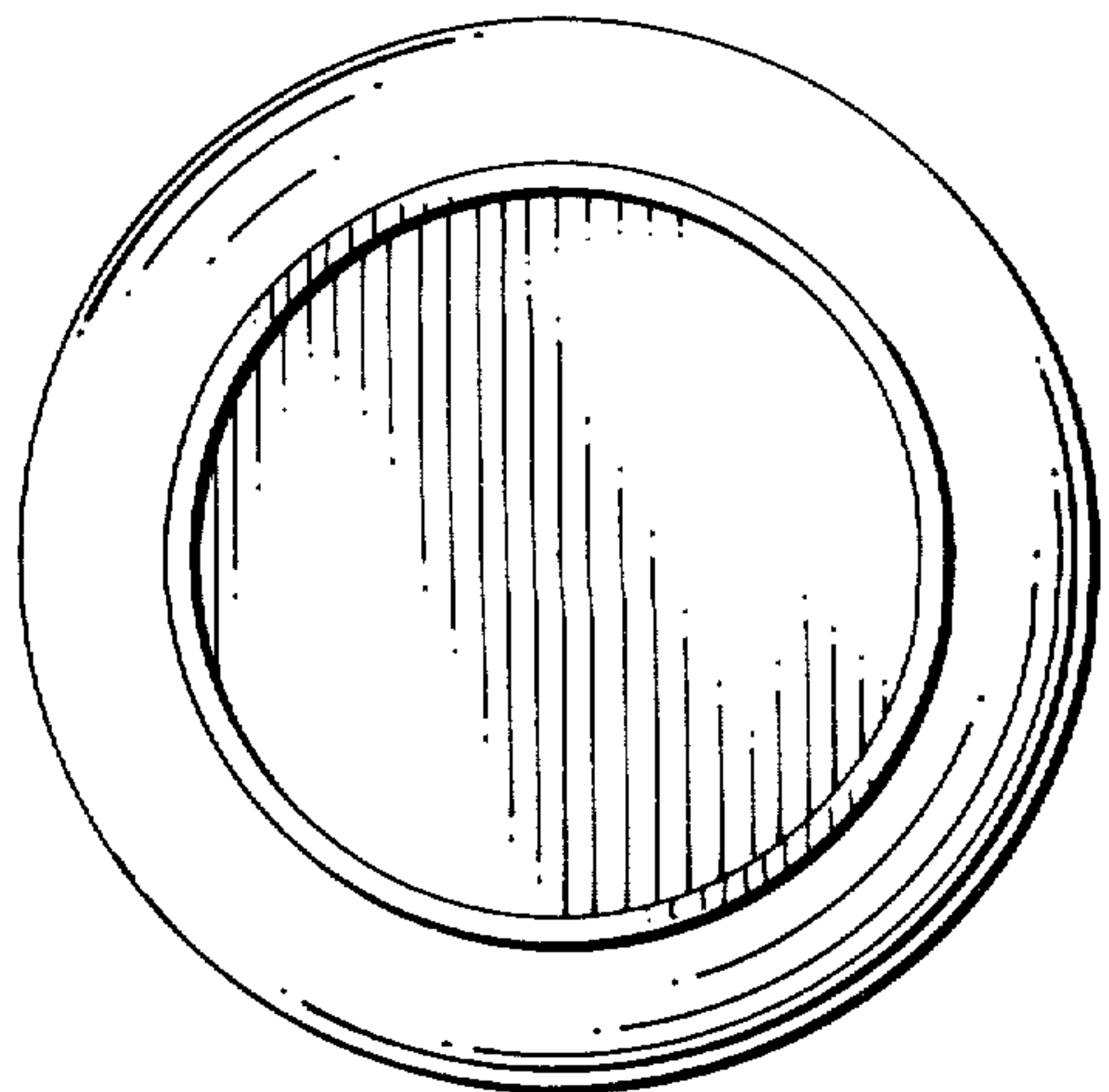




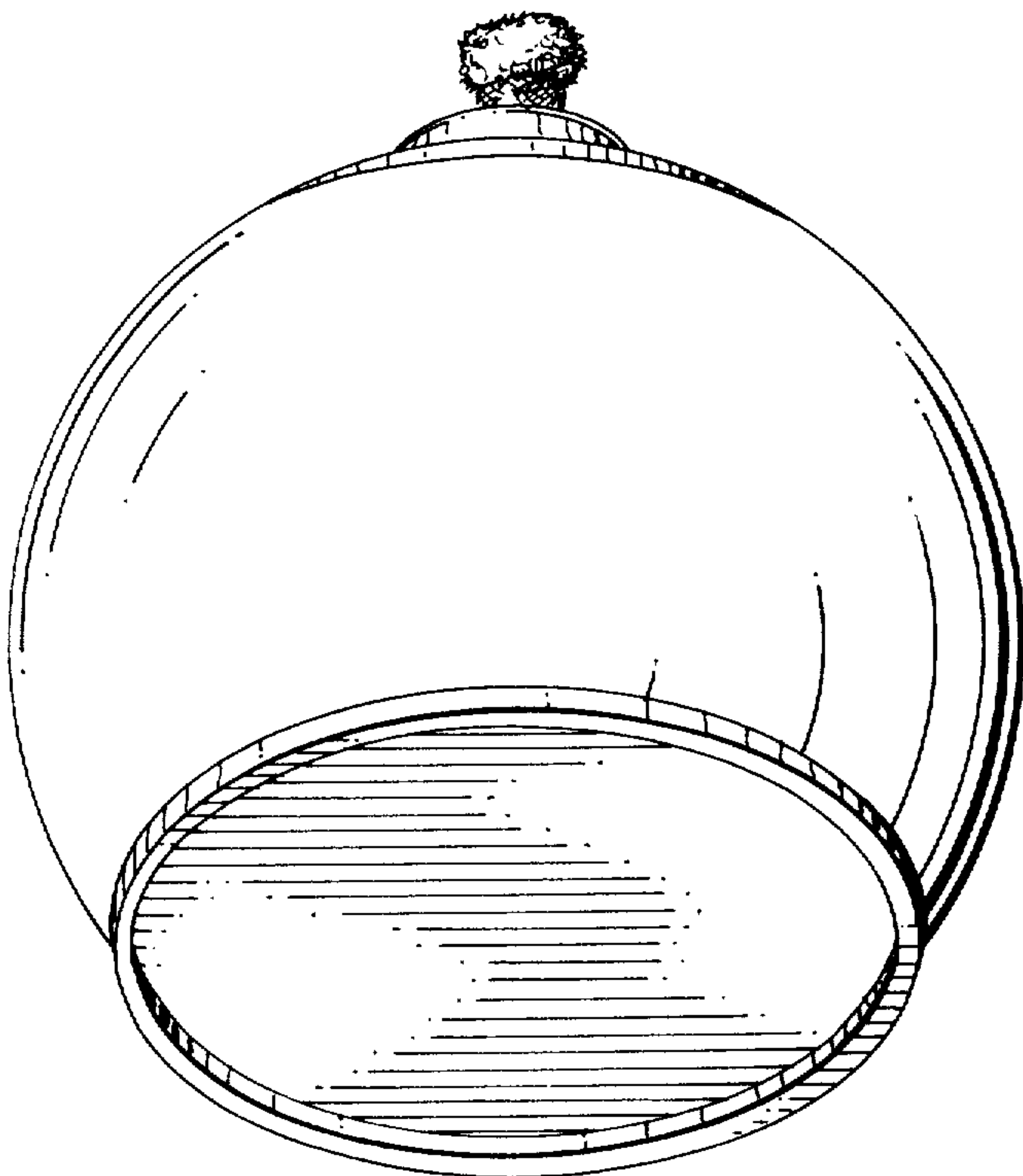
*FIG. 1*



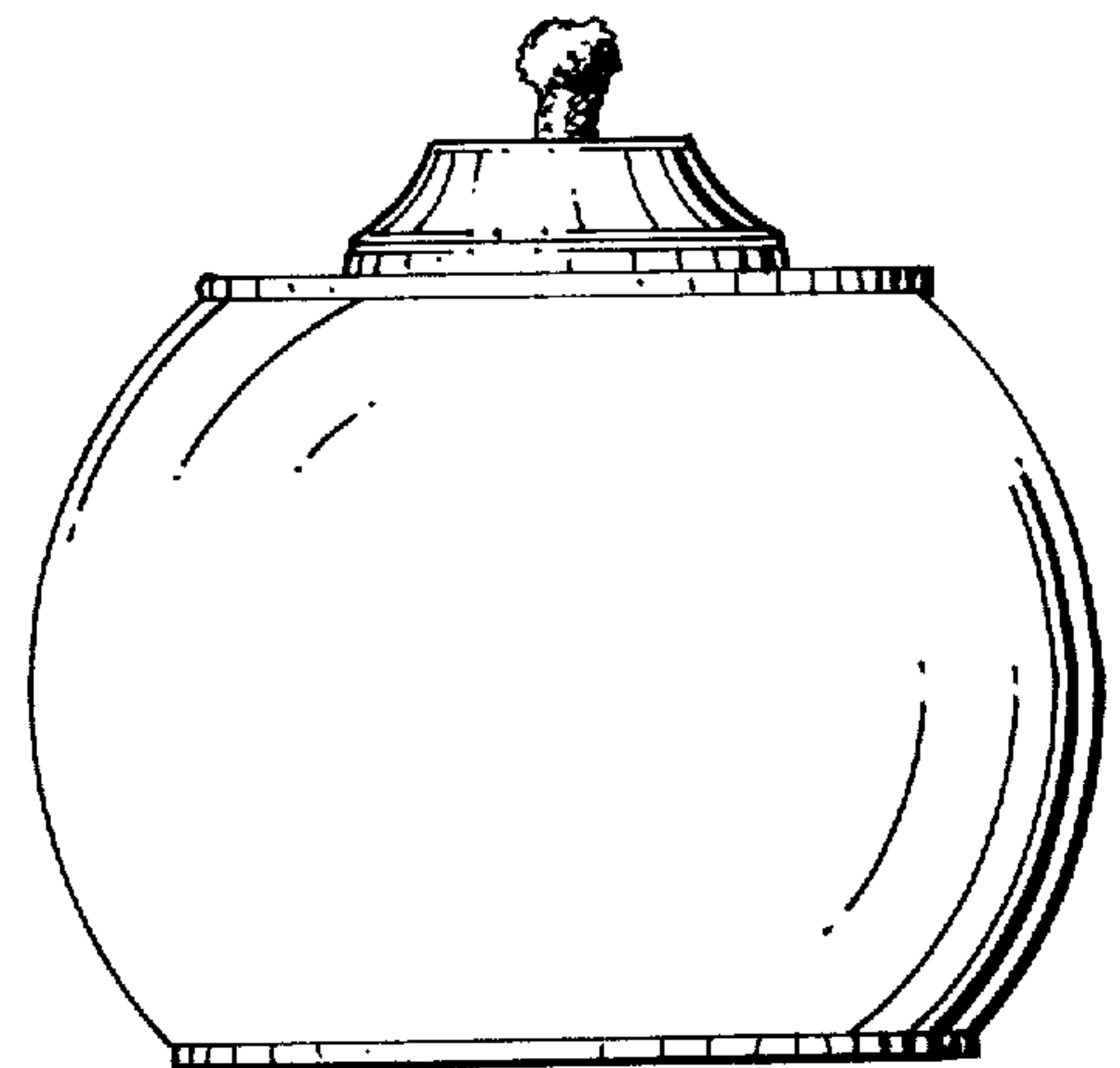
*FIG. 3*



*FIG. 4*



*FIG. 2*



*FIG. 5*