

[54] **SUSPENDED CEILING GRID**

[76] Inventor: **Rudolph D. Galindo**, 6561 E. Carnegie Ave., Anaheim, Calif. 92807

[\*\*] Term: **14 Years**

[21] Appl. No.: **36,330**

[22] Filed: **May 7, 1979**

[51] Int. Cl. .... **D25—02**

[52] U.S. Cl. .... **D25/58; D25/74**

[58] Field of Search ..... 52/586, 497, 496, 495, 52/668, 489, 488, 484; D25/73, 74, 75, 80, 92, 97, 58, 55, 60

[56] **References Cited**

**U.S. PATENT DOCUMENTS**

D. 223,235 4/1972 Busby et al. .... D25/73  
2,963,751 12/1960 Mancini ..... D25/75 X

4,034,531 7/1977 Balinski ..... 52/489 X

**OTHER PUBLICATIONS**

Sweet's Architectural Catalog File, 1977, Section 9.2/How, p. 3, item S-40.

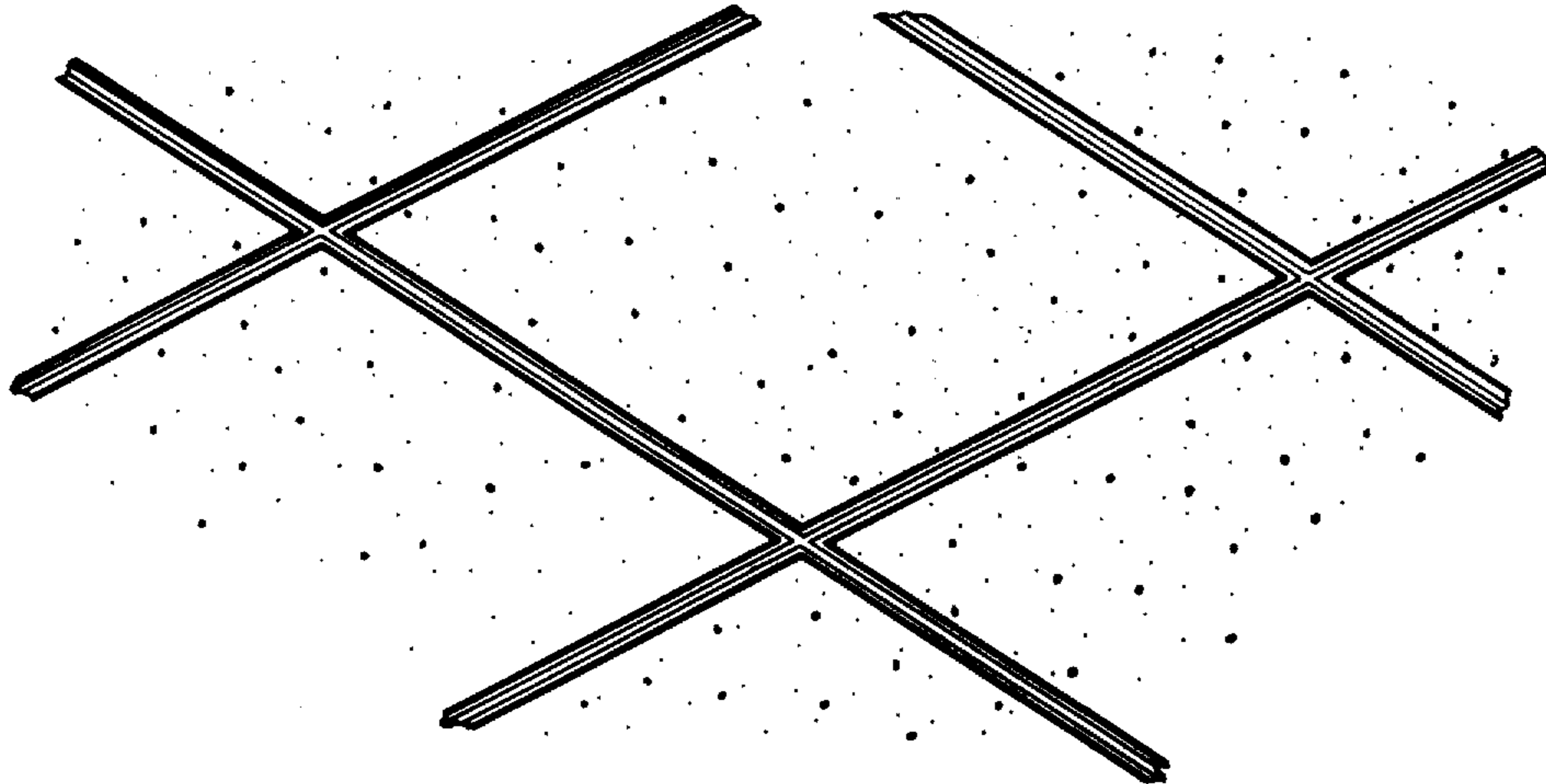
*Primary Examiner*—A. Hugo Word  
*Attorney, Agent, or Firm*—Wagner & Bachand

[57] **CLAIM**

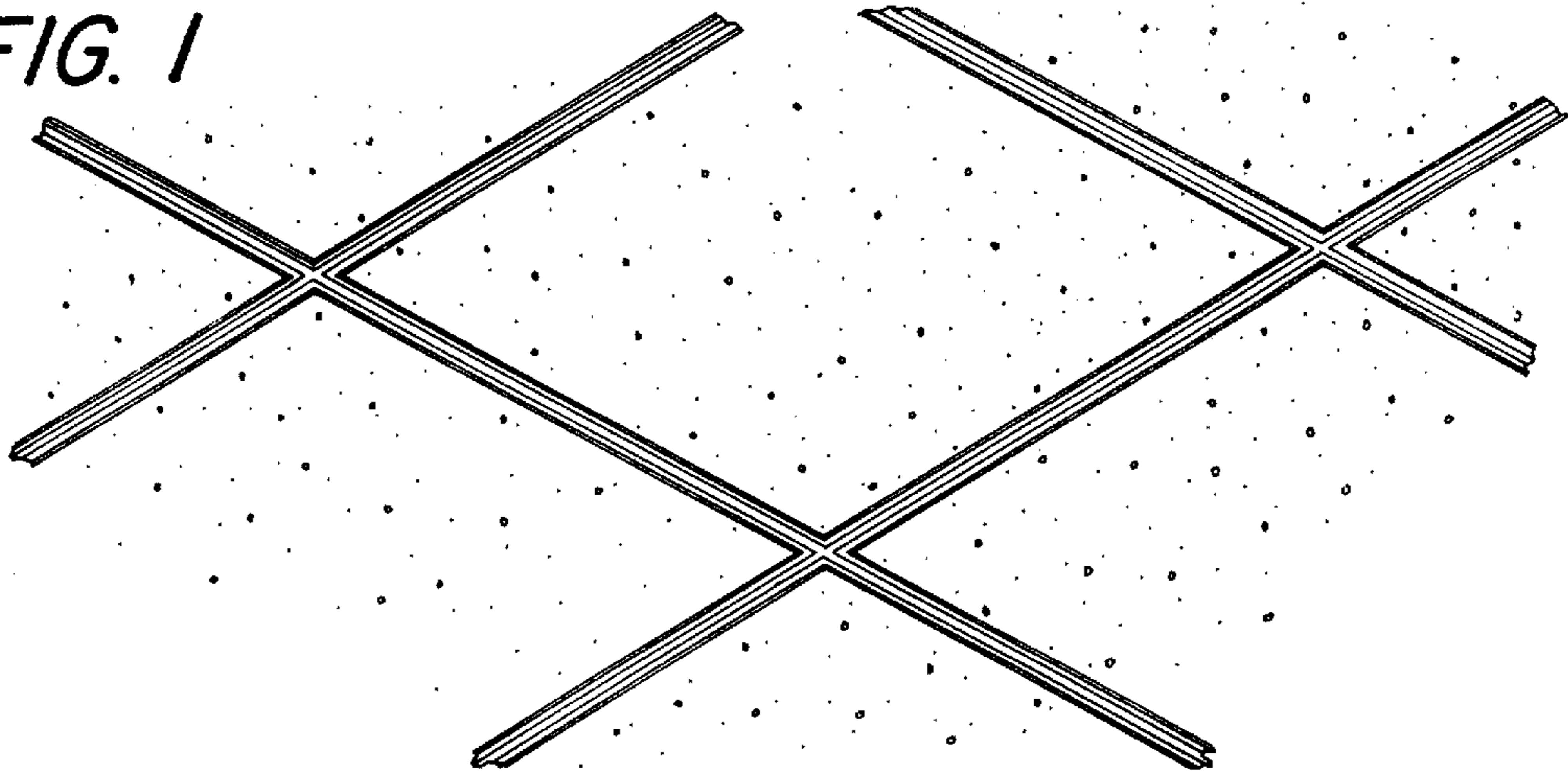
The ornamental design for a suspended ceiling grid, as shown and described.

**DESCRIPTION**

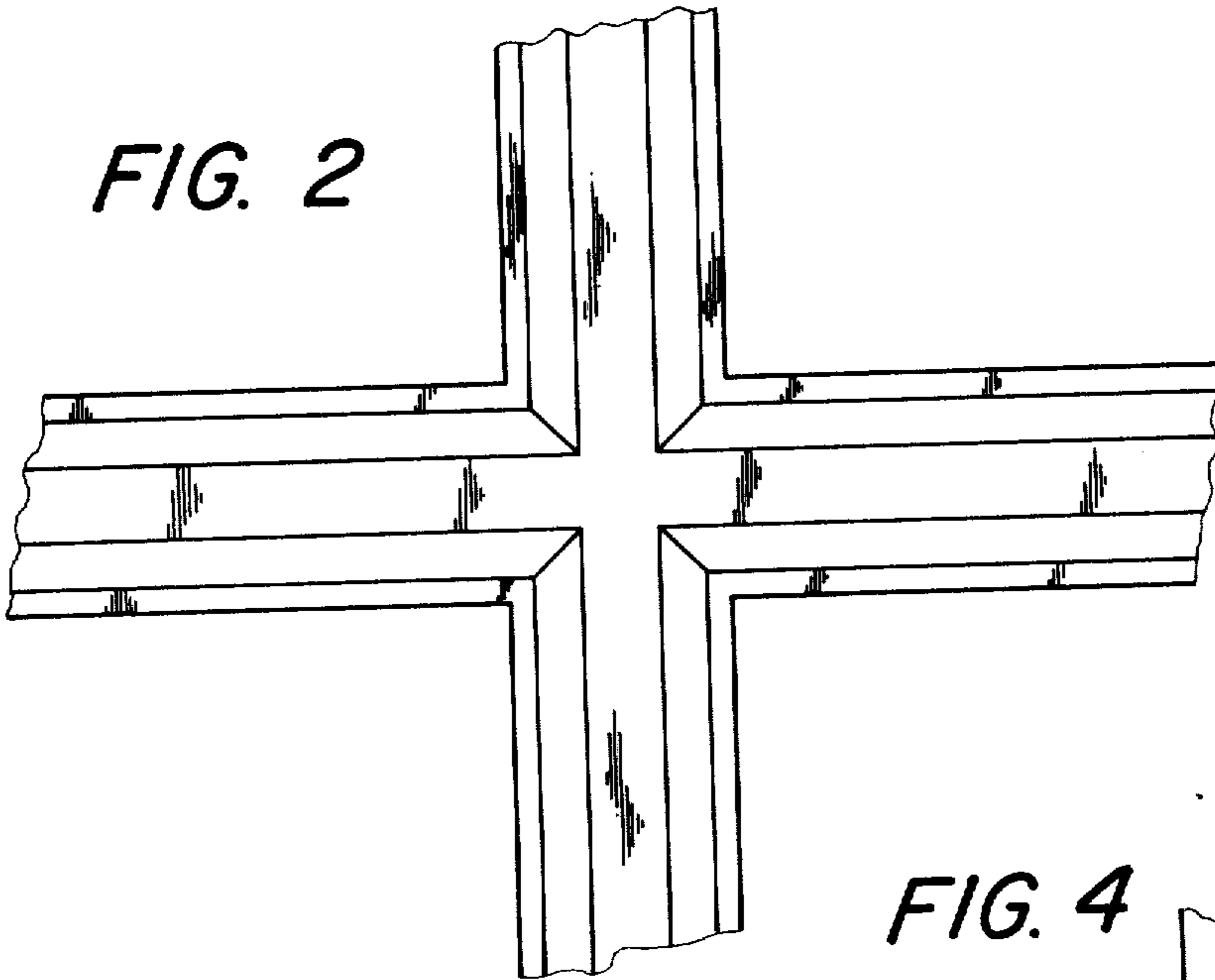
FIG. 1 is a perspective view of a suspended ceiling grid of my invention;  
FIG. 2 is a front plan view of an intersection thereof;  
FIG. 3 is a side view of an intersection thereof, the opposite side and opposite end views being mirror images thereof; and  
FIG. 4 is a rear plan view thereof.



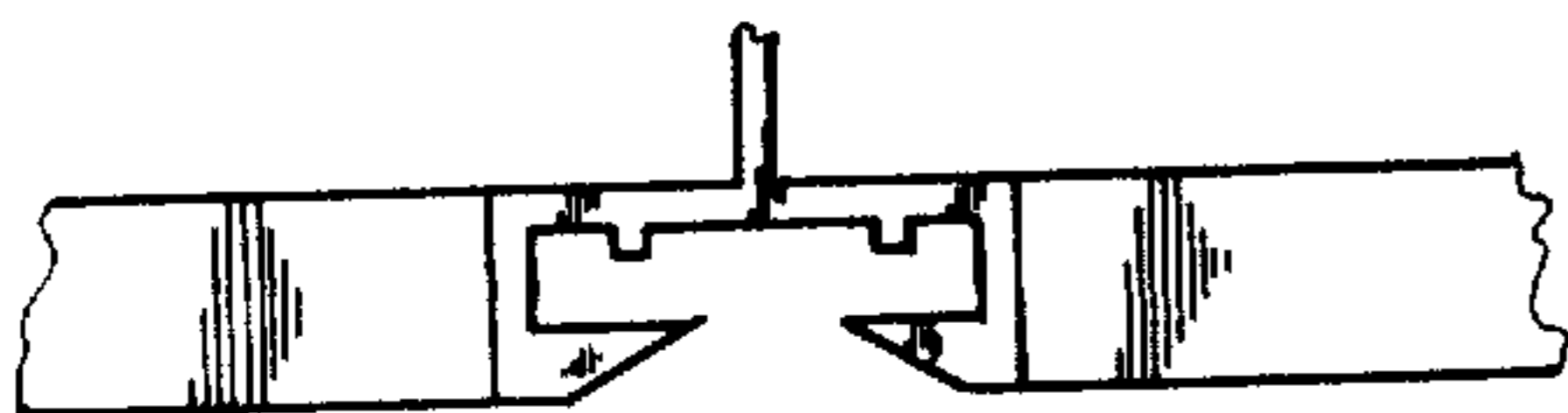
*FIG. 1*



*FIG. 2*



*FIG. 3*



*FIG. 4*

