

[54] **PAINT SPRAYER**

[75] **Inventor:** Howard R. Moon, Ft. Atkinson, Wis.

[73] **Assignee:** Acme Burgess, Inc., Grayslake, Ill.

[**] **Term:** 14 Years

[21] **Appl. No.:** 213,480

[22] **Filed:** Dec. 5, 1980

[51] **Int. Cl.** D23-01

[52] **U.S. Cl.** D23/18

[58] **Field of Search** D23/17, 18; 239/317,
 239/332, 526

[56]

References Cited

U.S. PATENT DOCUMENTS

D. 179,665	2/1957	Sykes	D23/18
D. 191,476	10/1961	Palma, Jr.	D23/18
D. 228,475	9/1973	Fishbein	D23/18 X
D. 235,544	6/1975	Bippus et al.	D23/18

D. 237,796	11/1975	Wagner	D23/18
3,455,507	7/1969	Ryder et al.	239/332
3,899,134	8/1975	Wagner	239/332
3,993,250	11/1976	Shurp	239/332
4,049,197	9/1977	Brouwer	239/332 X
4,162,037	7/1979	Koyama	239/332

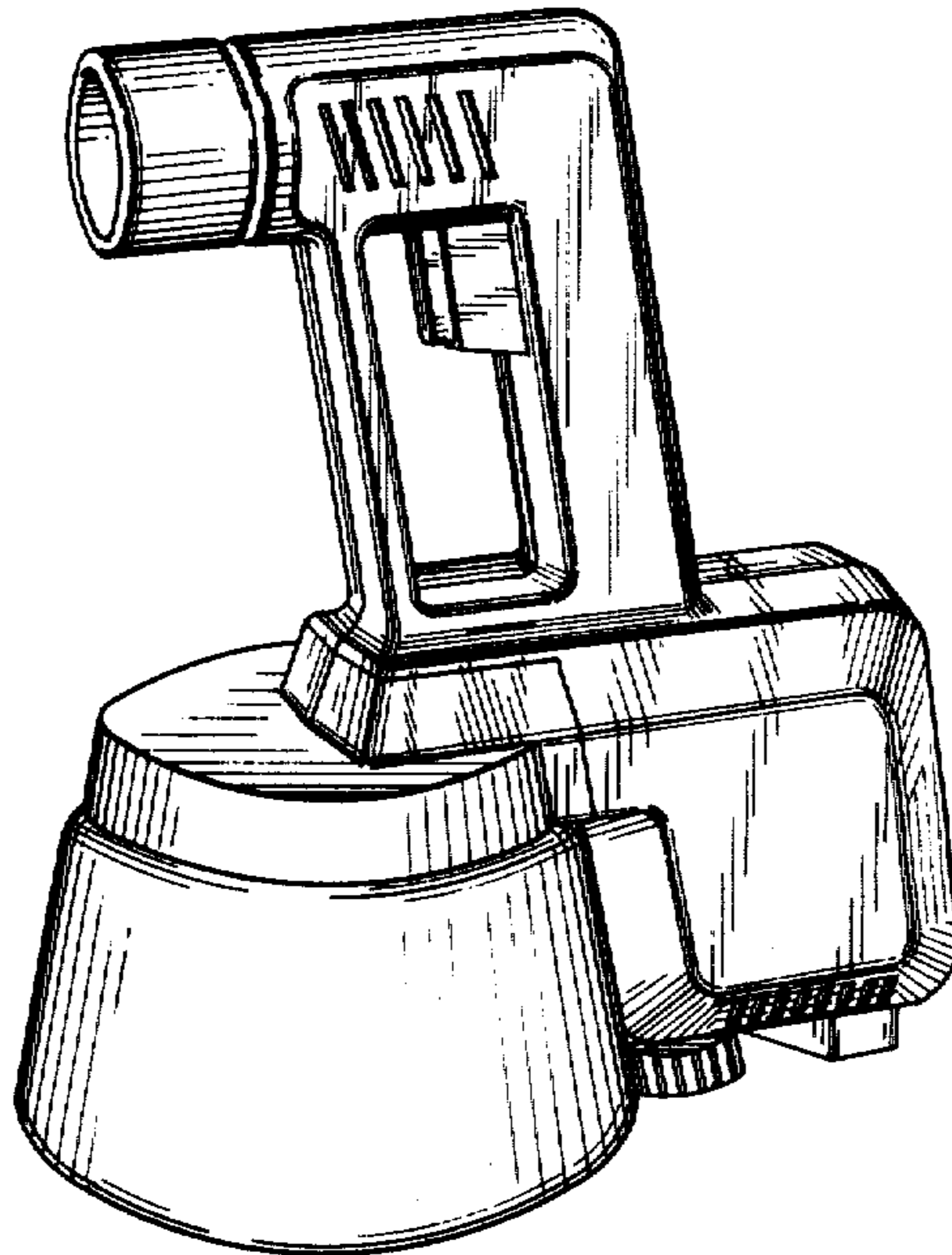
Primary Examiner—James R. Largen
Attorney, Agent, or Firm—Howard H. Darbo

[57] **CLAIM**

The ornamental design for a paint sprayer, as shown and described.

DESCRIPTION

FIG. 1 is a perspective view of a paint sprayer showing my new design;
 FIG. 2 is a top plan view thereof;
 FIG. 3 is a left side elevational view thereof, the right side being a mirror image of the left side shown;
 FIG. 4 is a bottom plan view thereof;
 FIG. 5 is a front elevational view thereof, and
 FIG. 6 is a rear elevational view thereof.



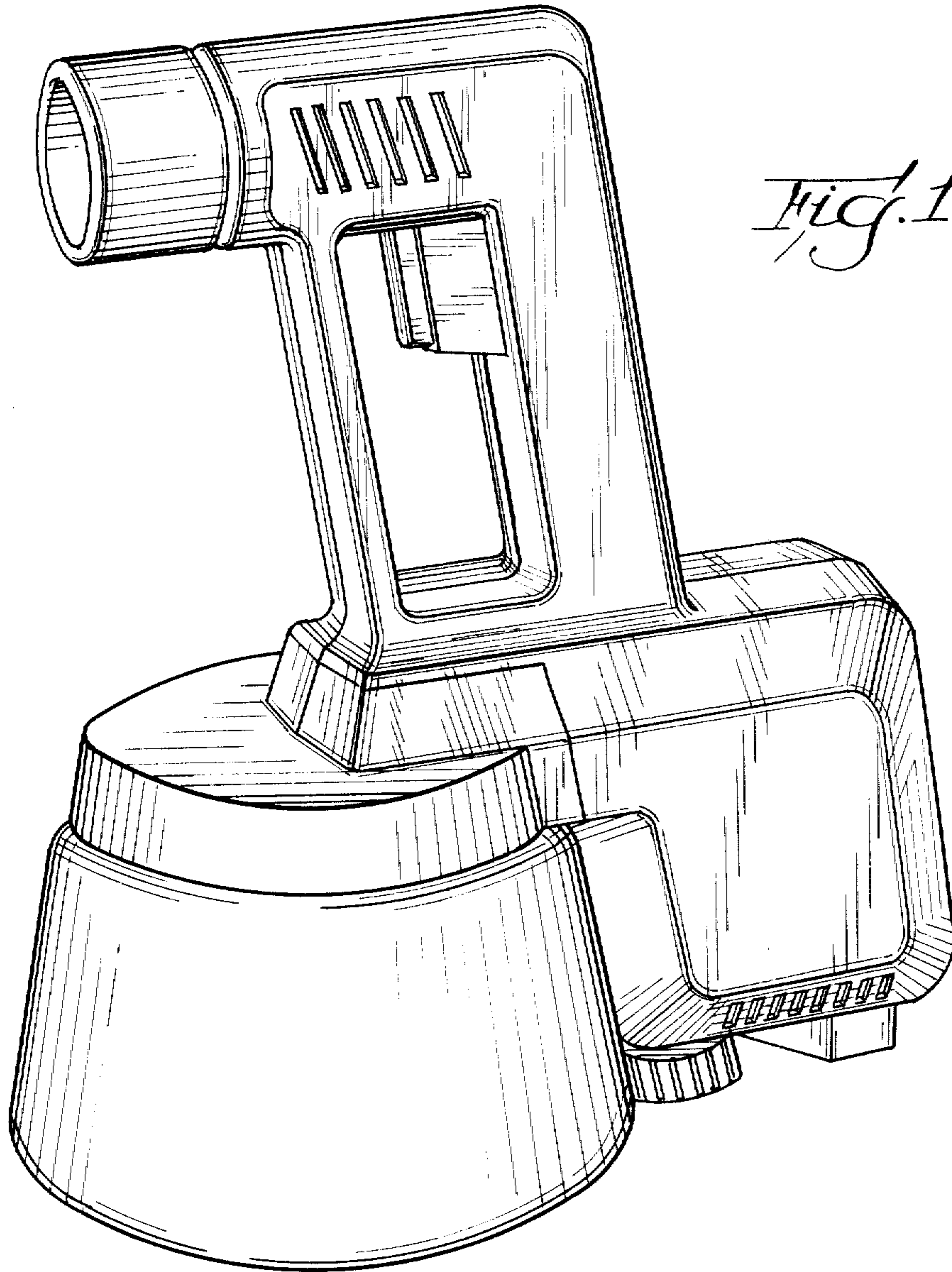


Fig. 1.

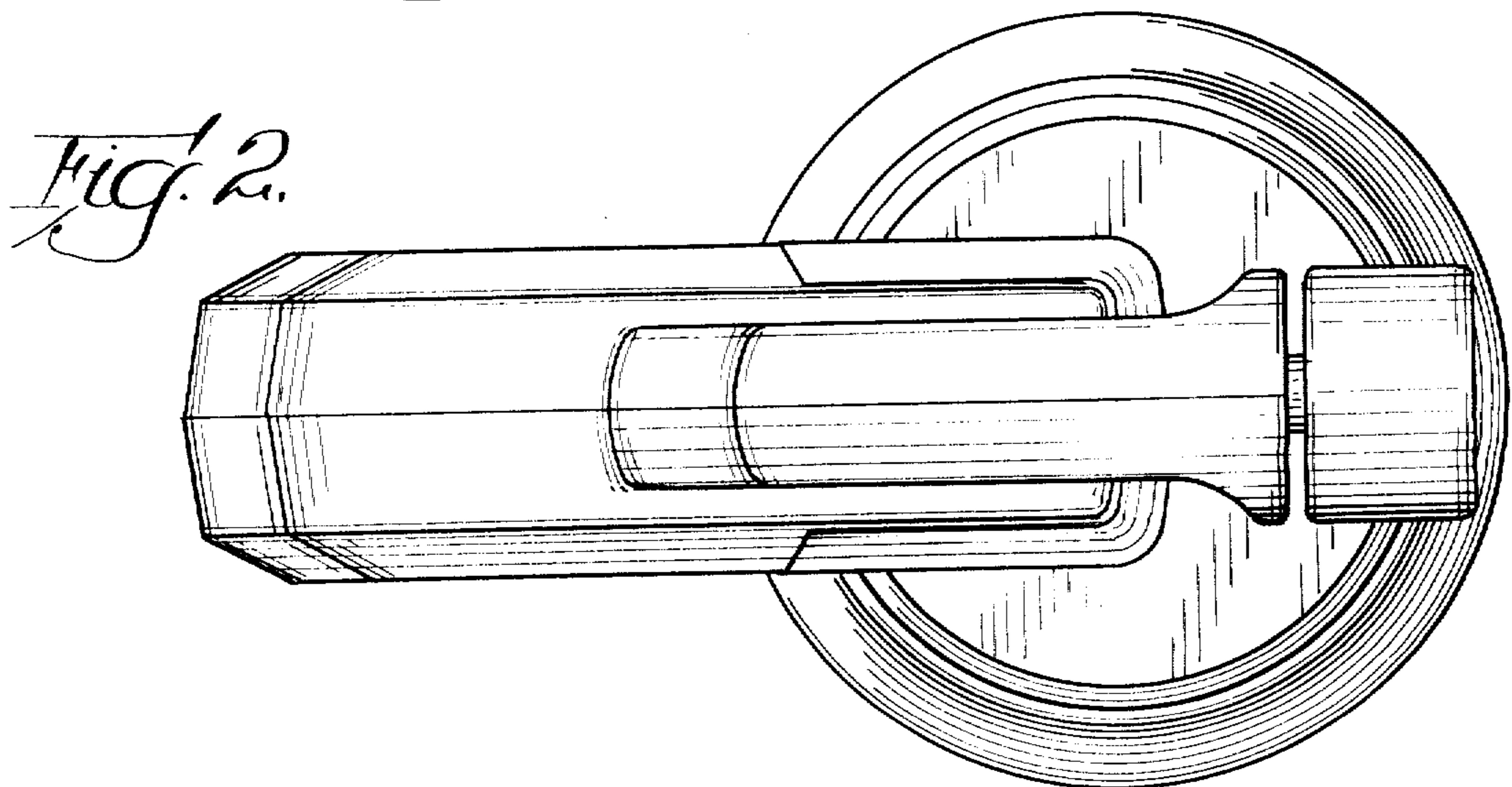


Fig. 2.

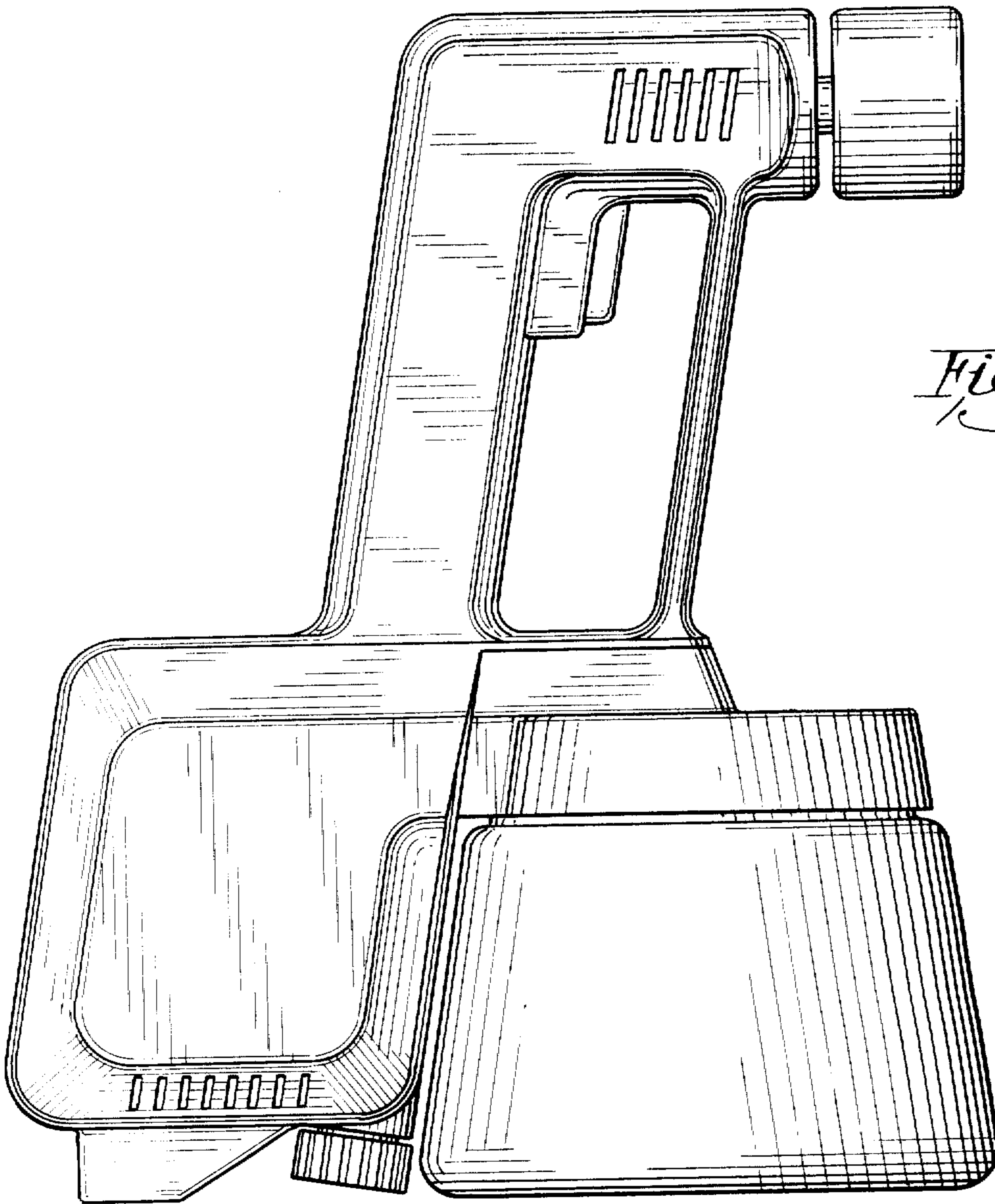


Fig. 3.

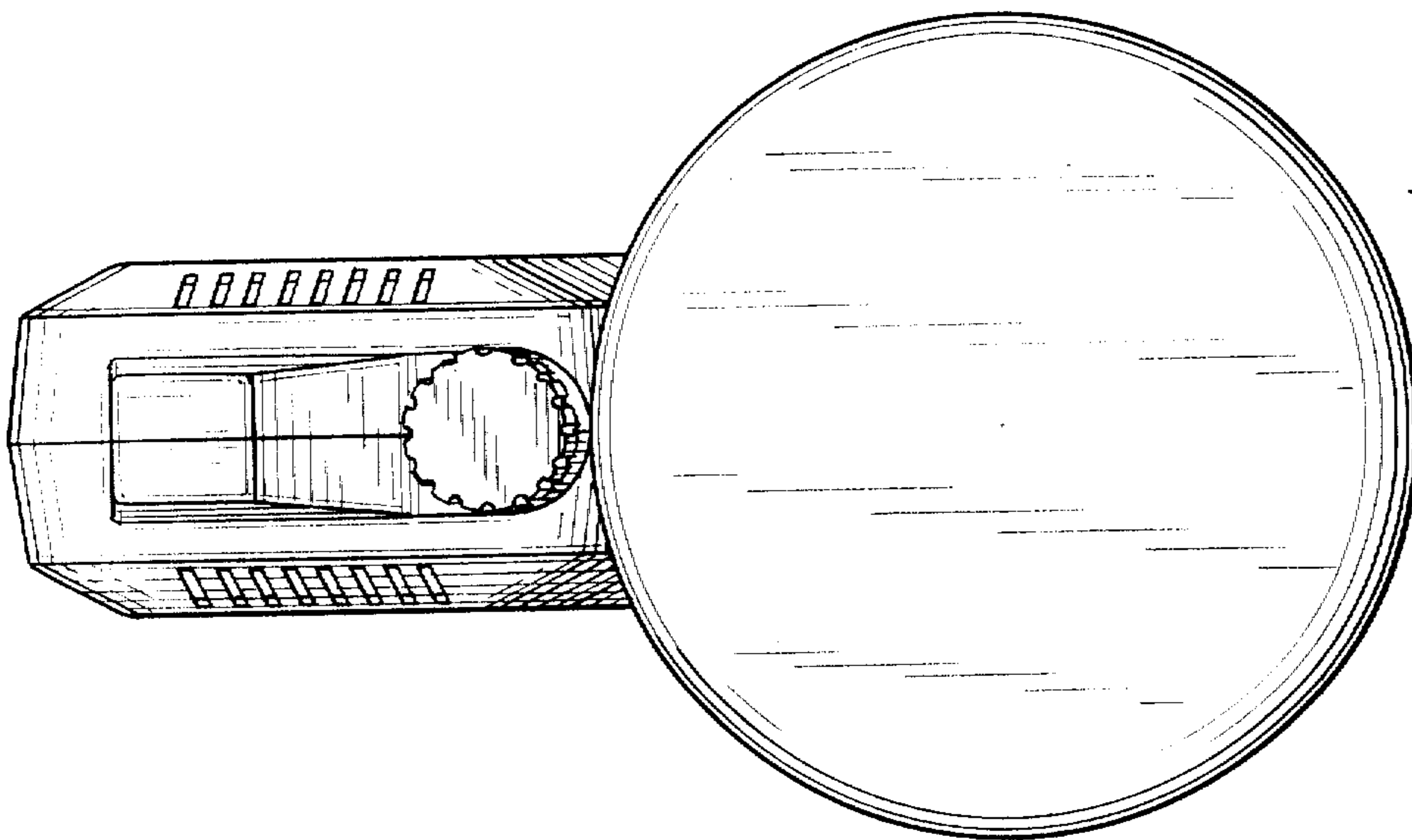


Fig. 4.

Fig. 5.

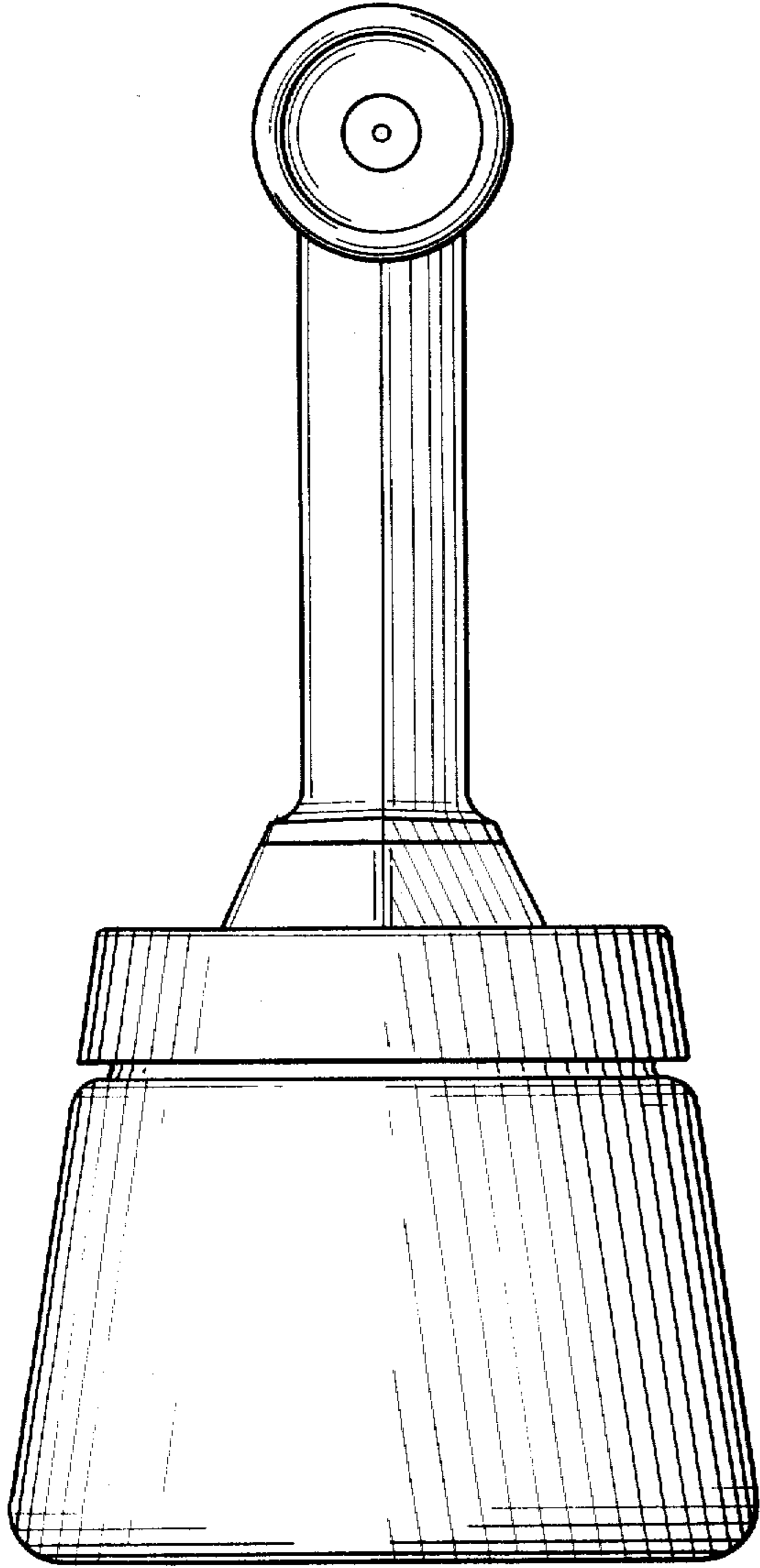


Fig. 6.

