

[54] **HEEL UNIT OF A SKI SAFETY BINDING**

[75] Inventor: **Jean J. A. Beyl**, Nevers, France

[73] Assignee: **LOOK**, Nevers, France

[**] Term: **14 Years**

[21] Appl. No.: **117,446**

[22] Filed: **Feb. 1, 1980**

[30] **Foreign Application Priority Data**

Aug. 7, 1979 [FR] France 124

[51] Int. Cl. D21-02; D21-022

[52] U.S. Cl. D21/230

[58] Field of Search D21/229, 230; 280/614,
280/615, 623-630

[56] **References Cited**

U.S. PATENT DOCUMENTS

D. 236,015 7/1975 Murata D21/230
D. 254,983 5/1980 Hauglin D21/230

FOREIGN PATENT DOCUMENTS

1454509 8/1966 France 280/623

Primary Examiner—Leland A. Sebastian
Attorney, Agent, or Firm—Bierman & Bierman

[57] **CLAIM**

The ornamental design for a heel unit of a ski safety binding, as shown.

DESCRIPTION

FIG. 1 is a side elevational view of a heel unit of a ski safety binding showing my new design; FIG. 2 is a rear elevational view thereof; FIG. 3 is a front elevational view thereof; FIG. 4 is a bottom plan view thereof; and FIG. 5 is a top plan view thereof.

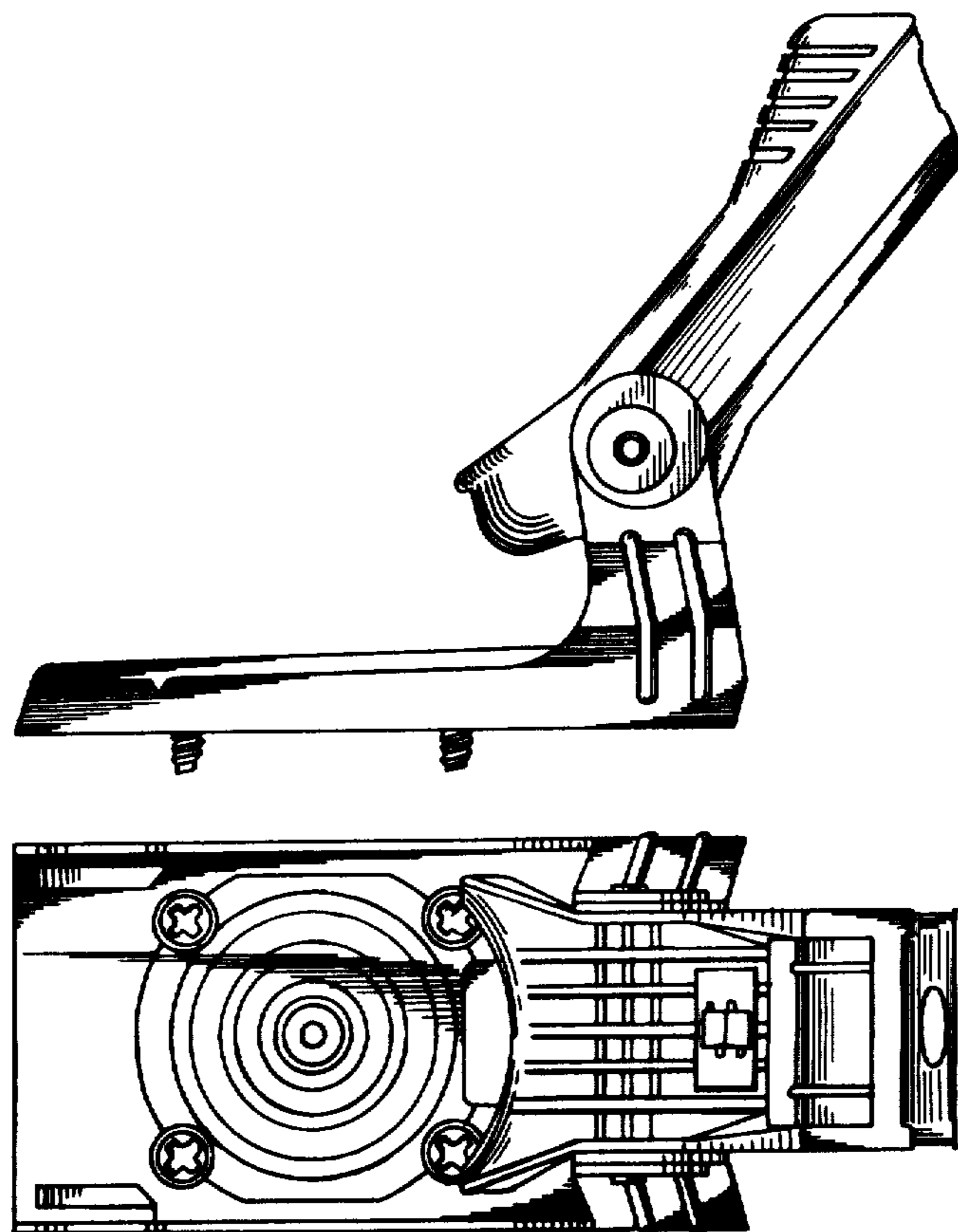


FIG-4

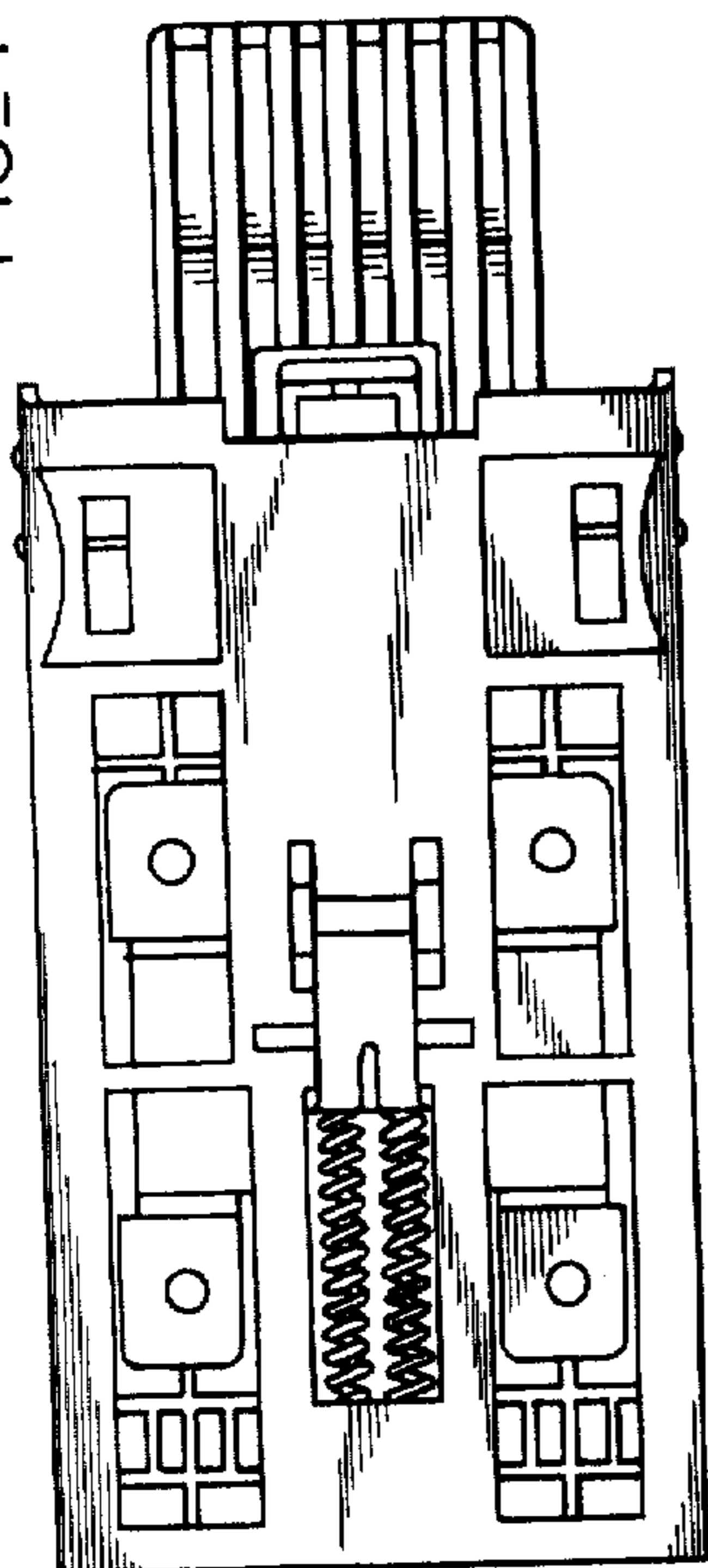


FIG-1

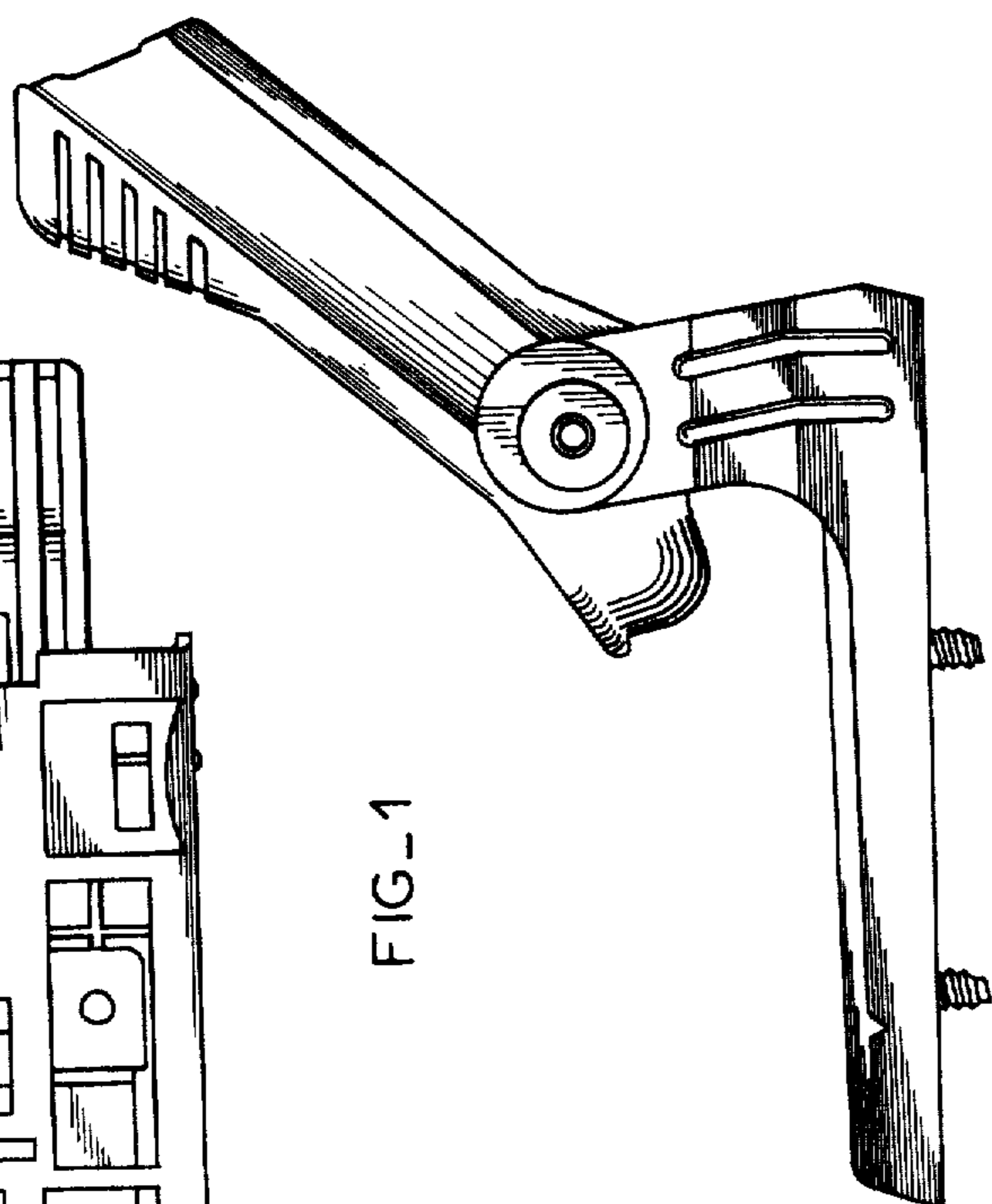


FIG-2

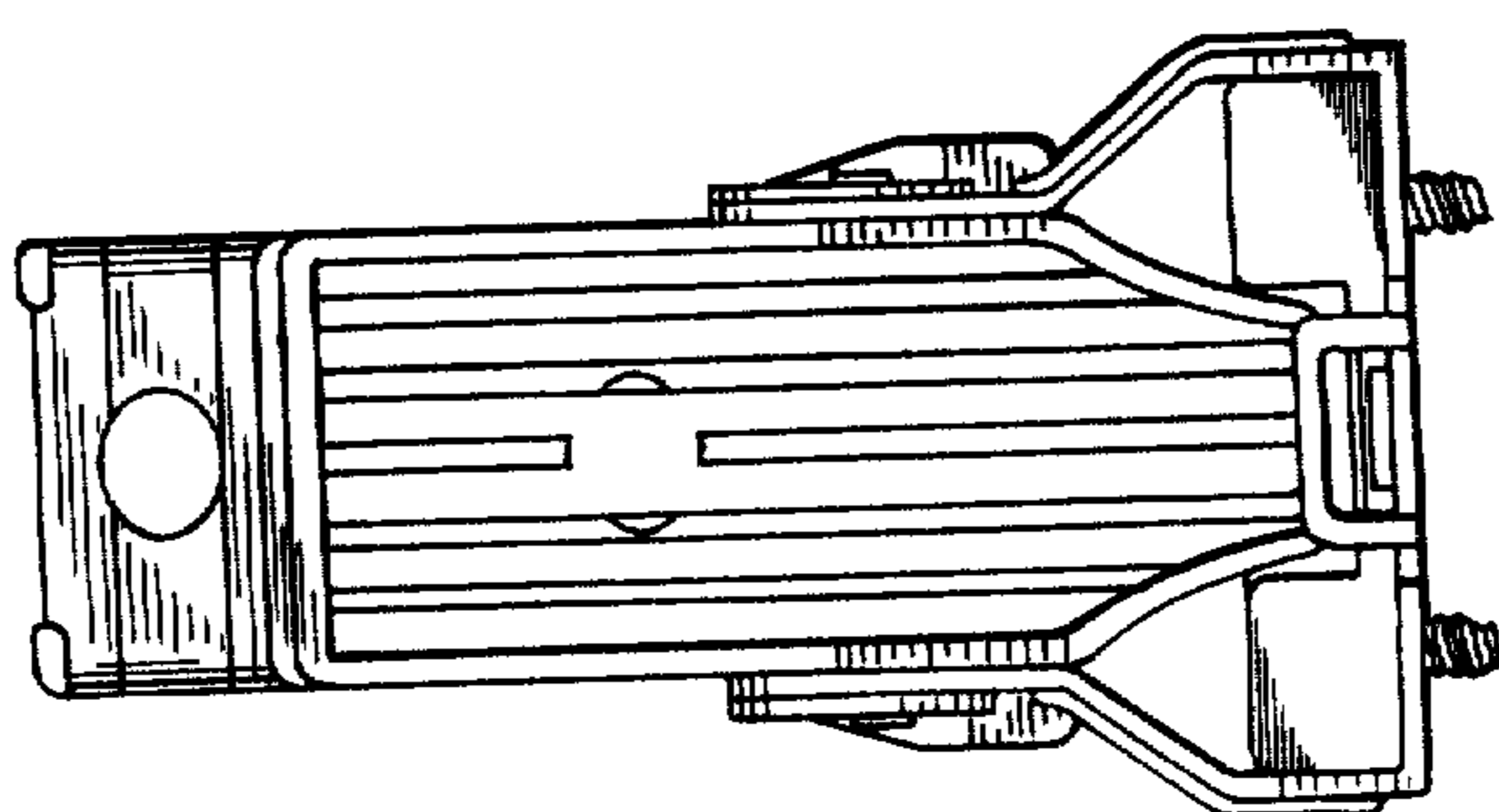


FIG-3

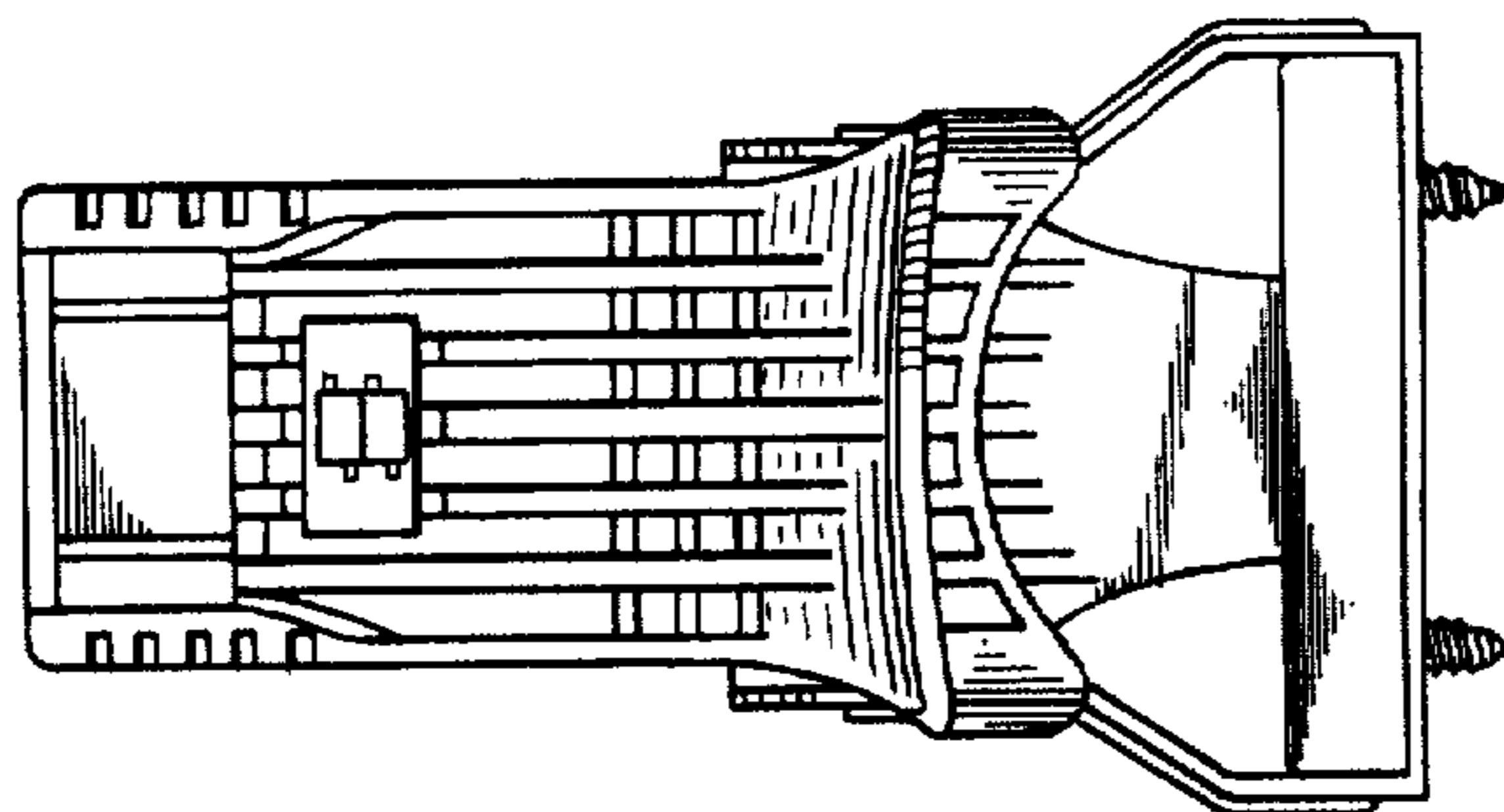


FIG-5

