

[54] GOLF CLUB HEAD

[76] Inventor: Jerry L. Pace, 415 Enterprise Dr., Charlotte, N.C. 28206

[\*\*] Term: 14 Years

[21] Appl. No.: 229,774

[22] Filed: Jan. 29, 1981

[51] Int. Cl. .... D21-02

[52] U.S. Cl. .... D21/220

[58] Field of Search ..... D21/214-220; 273/163 R, 164, 167-175

[56] References Cited

PUBLICATIONS

Ping by Karsten Mfg. Corp., Brochure, 1971, p. 1, Matched Irons.

Primary Examiner—Melvin B. Feifer

[57] CLAIM

The ornamental design for a golf club head, as shown and described.

DESCRIPTION

FIG. 1 is a front view of the golf club head with the shaft of the club shown in phantom lines for illustrative purposes only;

FIG. 2 is a rear view of the golf club head;

FIG. 3 is an enlarged front view of the golf club head similar to FIG. 1 but omitting the shaft;

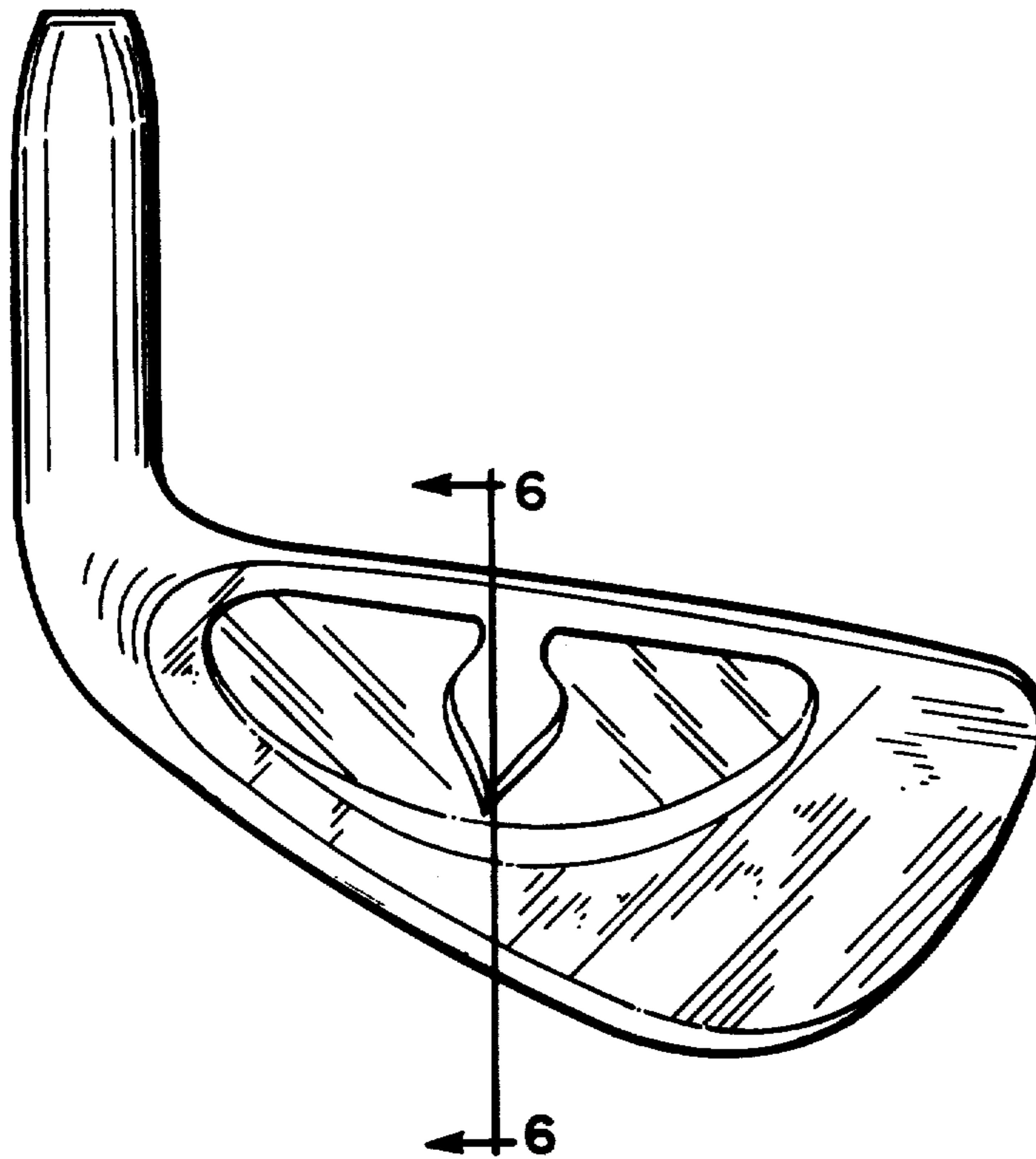
FIG. 4 is a top view of the golf club head;

FIG. 5 is a bottom view of the golf club head;

FIG. 6 is a sectional view taken substantially along the line 6-6 in FIG. 2; and

FIG. 7 is a front view of a golf club head with a different loft than that shown in FIG. 1 and the shaft of the club is shown in phantom lines for illustrative purposes only.

The characteristic feature of my design resides in the particular shaped inset formed in the cavity in the rear surface of the club head.



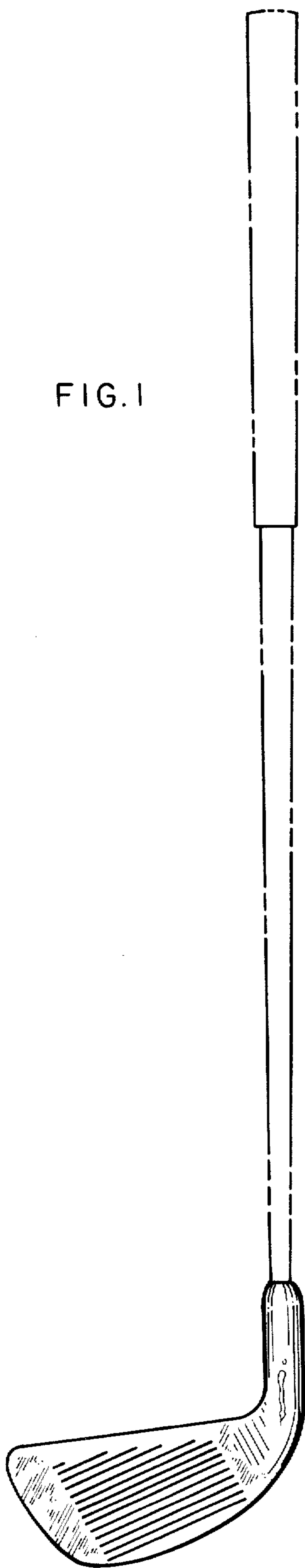


FIG. 1

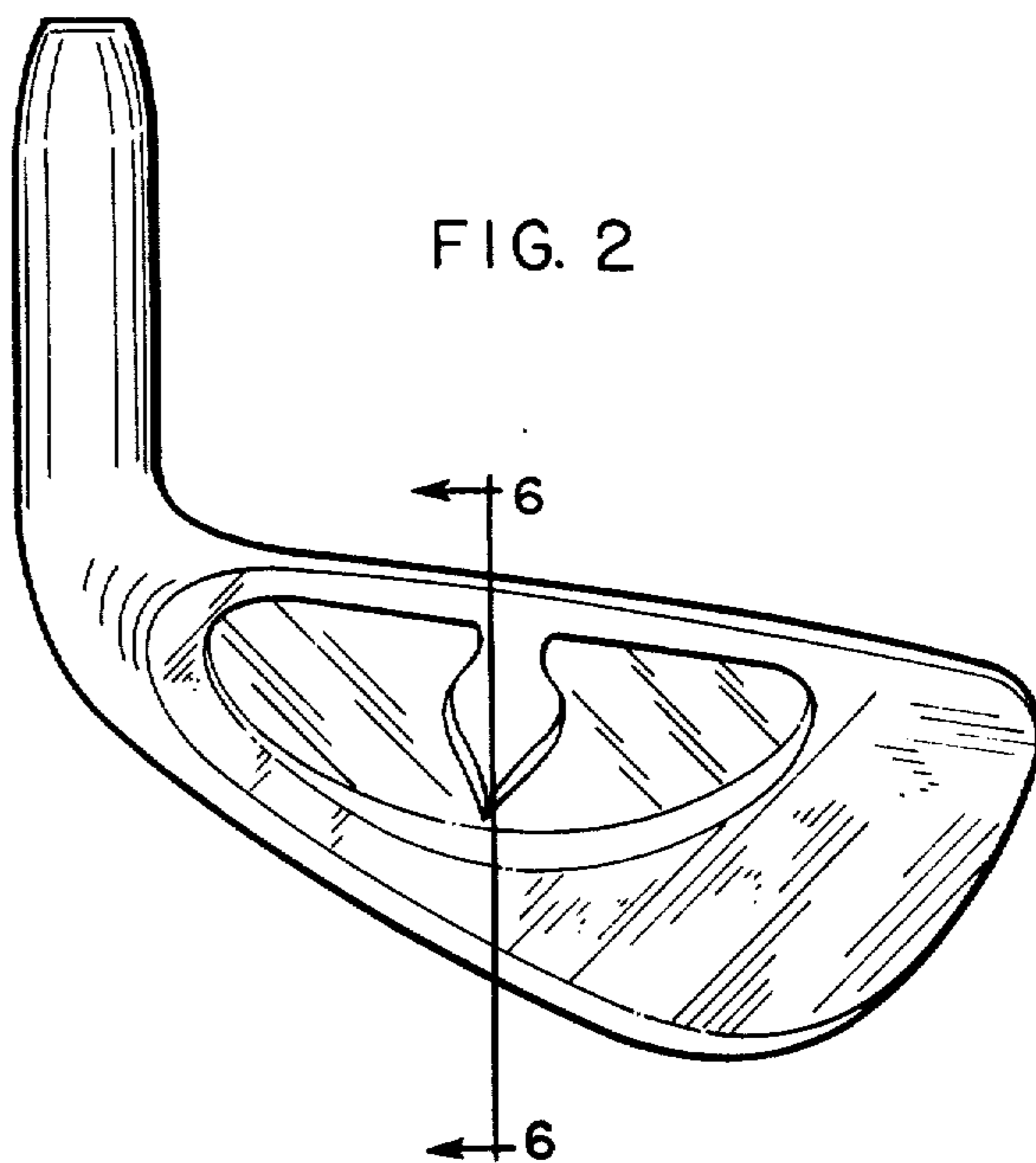


FIG. 2

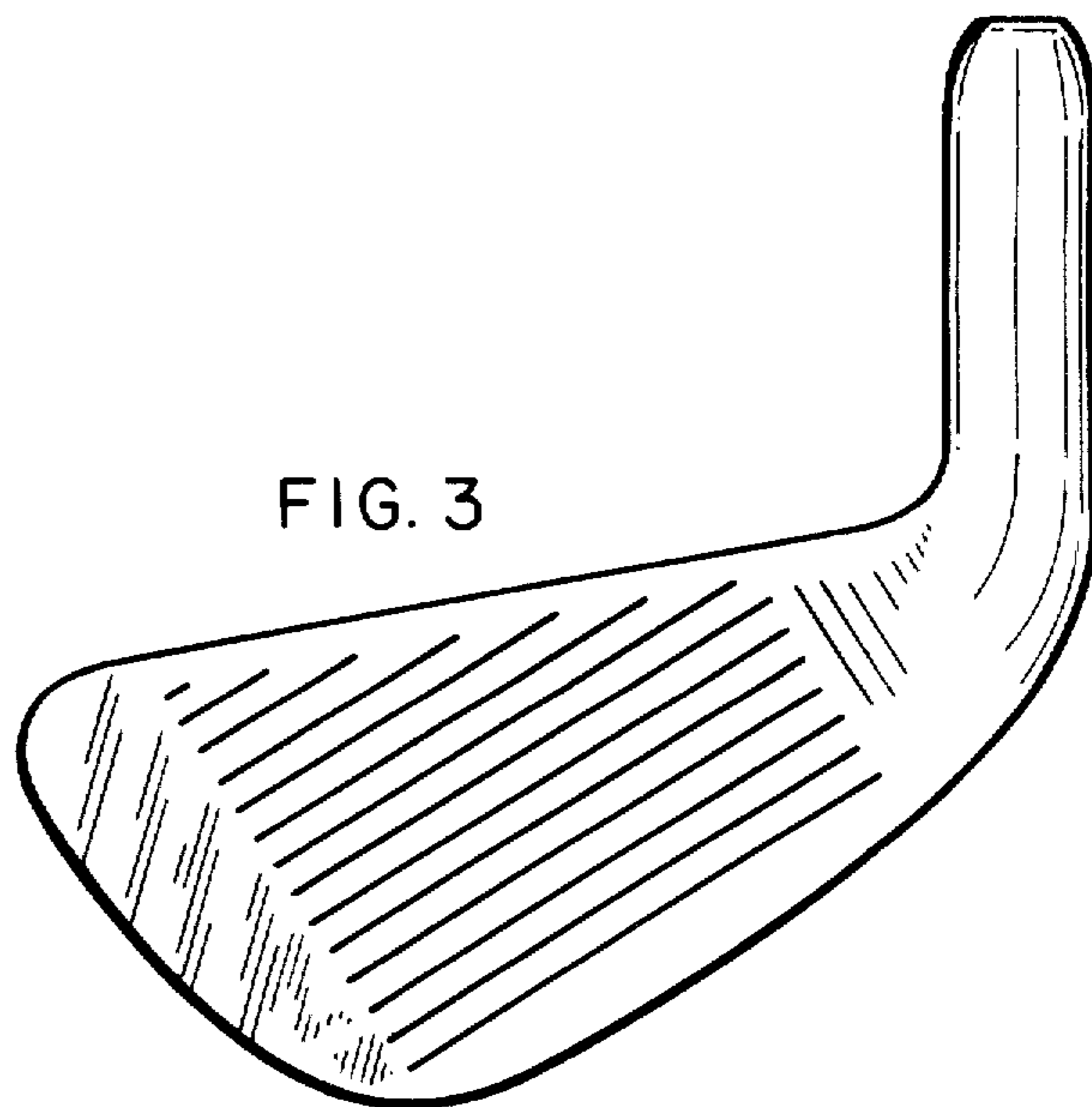


FIG. 3

