

[54] ROTATABLE GAME BOARD

[76] Inventor: John Daugherty, 3611 Bangor St., SE., Washington, D.C. 20020

[**] Term: 14 Years

[21] Appl. No.: 169,006

[22] Filed: Jul. 15, 1980

[51] Int. Cl. D21-01

[52] U.S. Cl. D21/33

[58] Field of Search D21/33, 39, 40, 20-22, D21/32; D7/2, 81; 273/280, 148 R, 148 A, 292; D6/149; D9/341, 424; D3/74

[56] References Cited

U.S. PATENT DOCUMENTS

- D. 251,969 5/1979 Tucky D6/149
- 2,008,829 7/1935 Israel 273/148 A
- 3,011,789 12/1961 Eliassen et al. 273/148 A
- 4,249,742 2/1981 Vergara 273/309

FOREIGN PATENT DOCUMENTS

- 2040694 9/1980 United Kingdom 273/292

Primary Examiner—Melvin B. Feifer

Attorney, Agent, or Firm—Geoffrey R. Myers; Darle M. Short

[57] CLAIM

The ornamental design for a rotatable game board, as shown and described.

DESCRIPTION

FIG. 1 is a top plan view of a rotatable game board showing my new design;

FIG. 2 is an elevational view looking from the side of FIG. 1, each side view being a mirror image of its opposite side view;

FIG. 3 is a bottom plan view thereof;

FIG. 4 is a partial, top plan view thereof with a tray removed to show the tray holders;

FIG. 5 is a partial, perspective view of the central chip holder in FIG. 4;

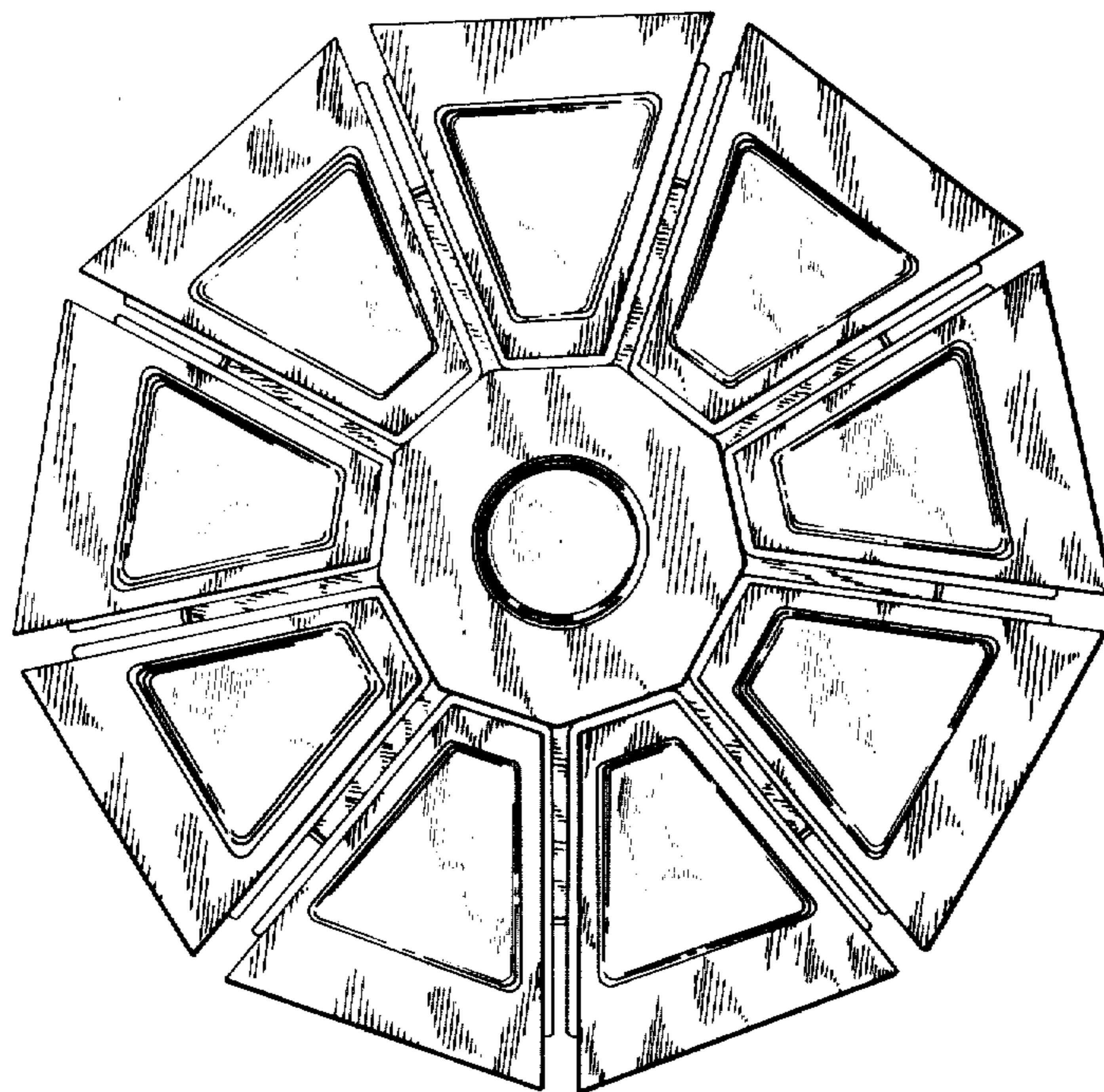
FIG. 6 is a partial elevational view of the exposed tray holder of FIG. 4;

FIG. 7 is a bottom plan view of a tray, the top plan view being shown in FIG. 1;

FIG. 8 is an elevational view showing the inner end of the tray of FIG. 7, the outer end being shown in FIG. 2;

FIG. 9 is a side elevational view of the tray of FIG. 7, the opposite side being a mirror image thereof; and

FIG. 10 is an elevational sectional view of FIG. 9.



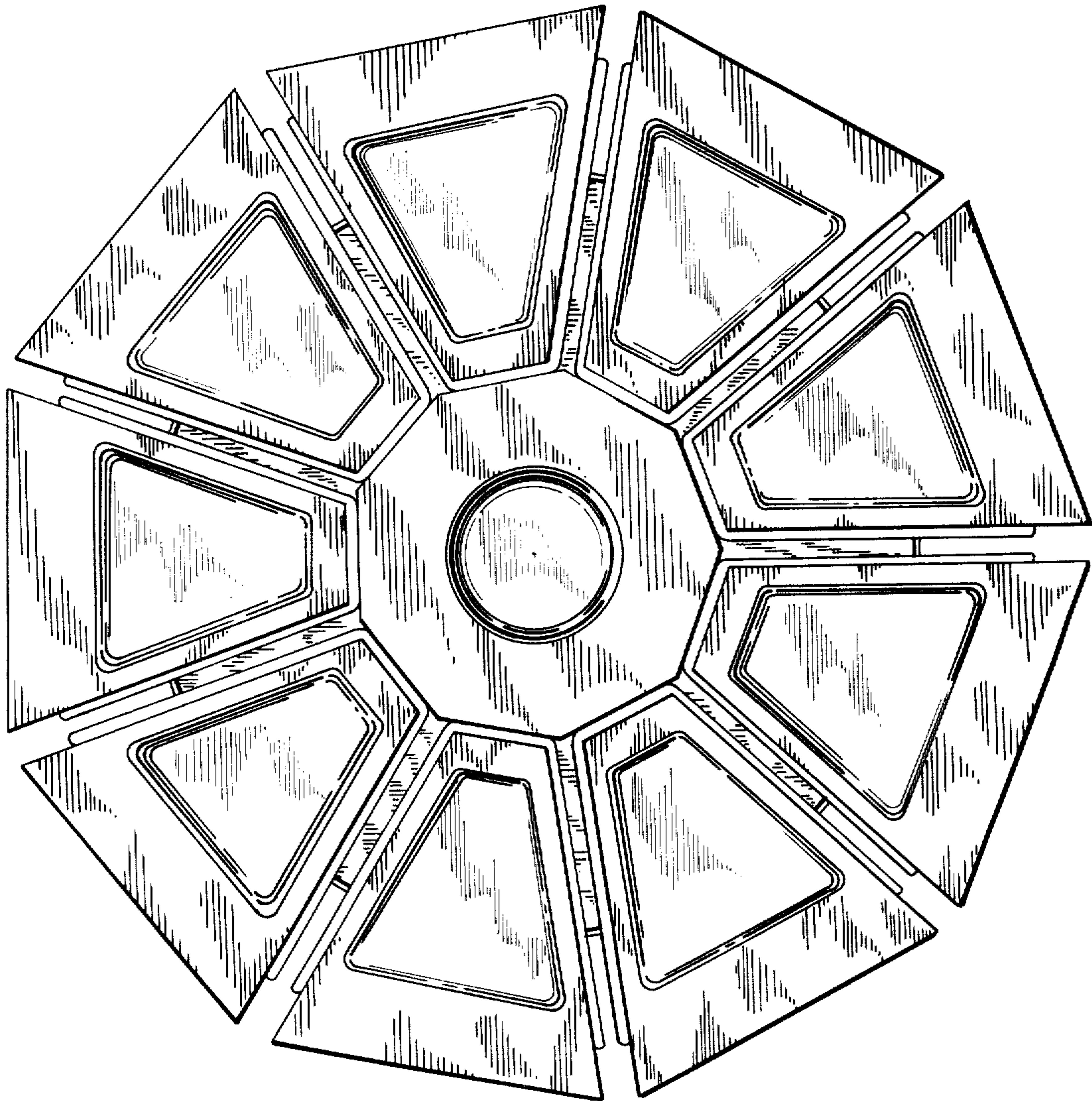


FIG. 1

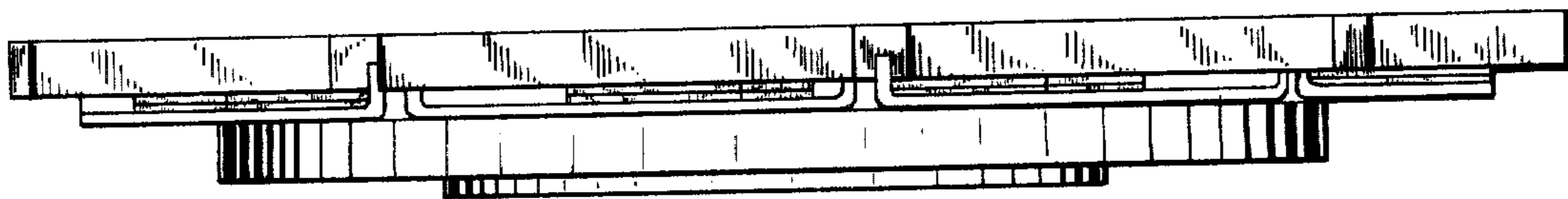


FIG. 2

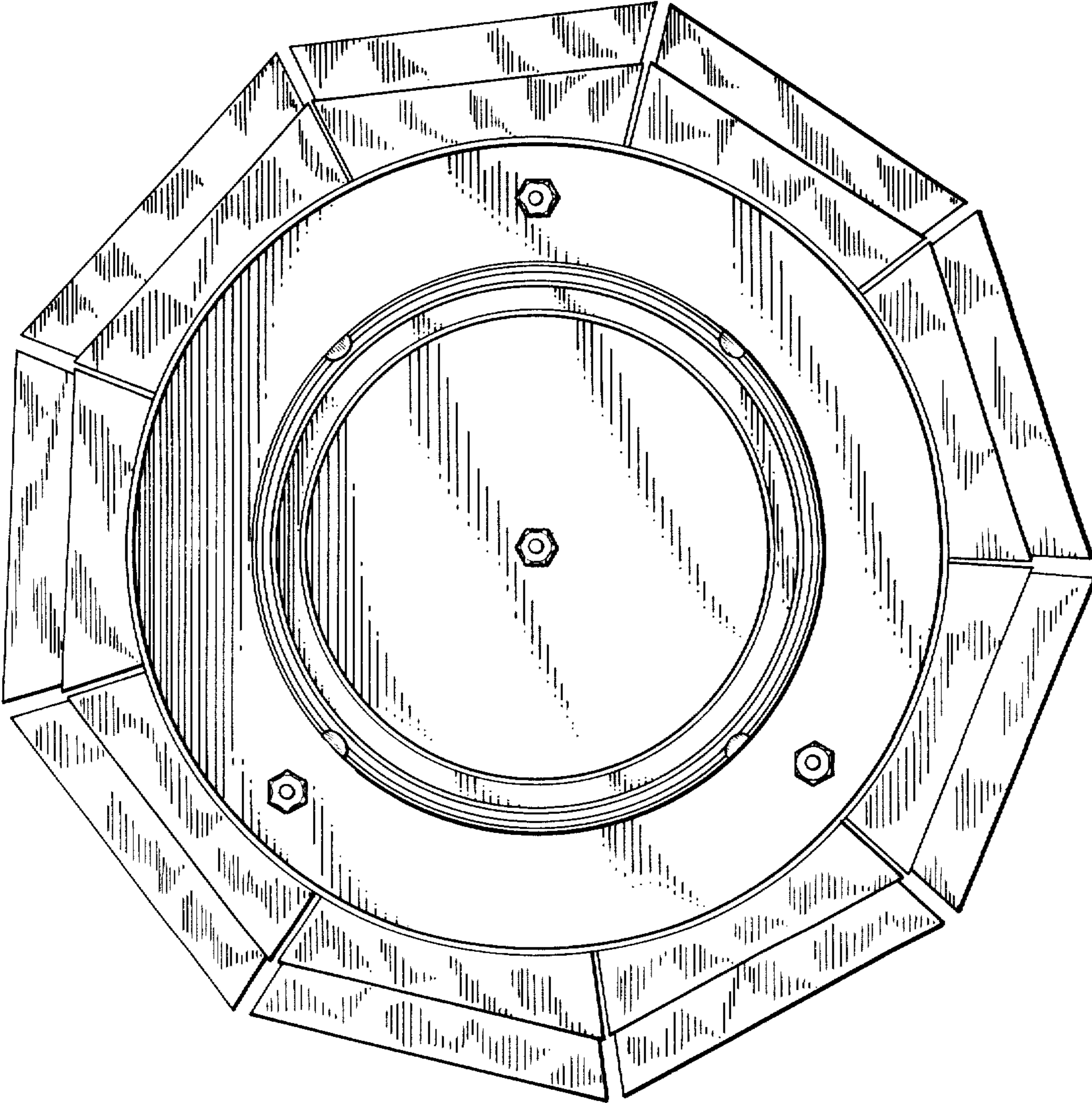


FIG. 3

