

[54] **WRIST-WORN DISK CAMERA**
 [75] Inventors: **Bernard A. Seckendorf, Flushing;**
 John Sanchez, Ossining, both of N.Y.
 [73] Assignee: **Wrist-A-Matic, Ltd., Elmhurst, N.Y.**
 [**] Term: **14 Years**
 [21] Appl. No.: **205,215**
 [22] Filed: **Nov. 7, 1980**
 [51] Int. Cl. **D16-01**
 [52] U.S. Cl. **D16/1**
 [58] Field of Search **D16/1, 2, 6, 8-10;**
 354/121, 250, 288

604,733 5/1898 Daniels 354/121 X
 2,446,200 8/1948 Tait 354/121
 2,521,743 9/1950 Perlin 354/121
 2,531,652 11/1950 Tait 354/121
 2,625,087 1/1953 Steineck 354/121
 4,081,806 3/1978 Seckendorf 354/121
 4,325,619 4/1982 Seckendorf 354/121

Primary Examiner—Nelson C. Holtje
Attorney, Agent, or Firm—Jordan and Hamburg

[57] **CLAIM**

The ornamental design for a wrist-worn disk camera, as shown.

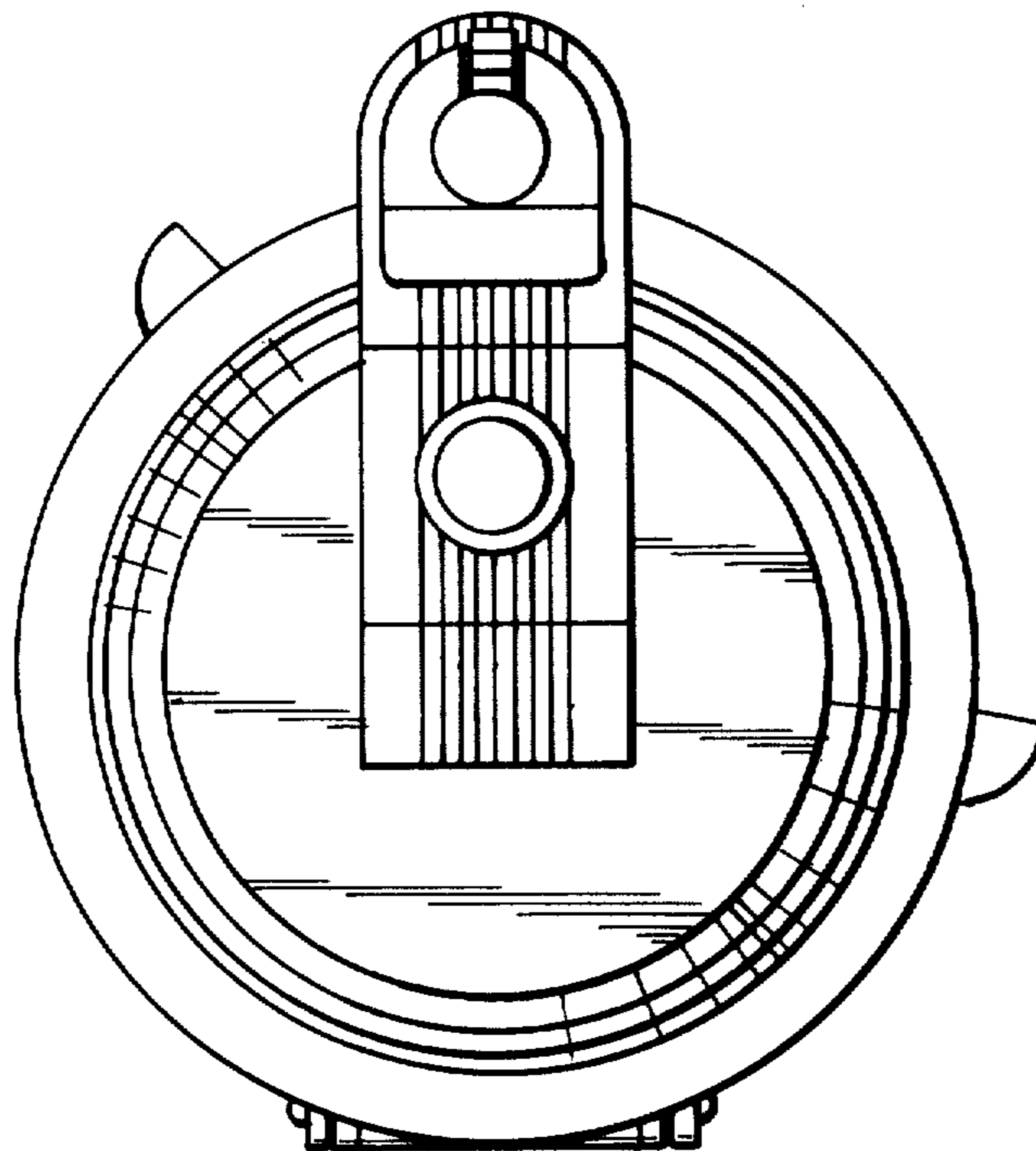
DESCRIPTION

FIG. 1 is a right side elevational view of a wrist-worn disk camera showing our new design;
 FIG. 2 is a front elevational view thereof;
 FIG. 3 is a left side elevational view thereof;
 FIG. 4 is a rear elevational view thereof;
 FIG. 5 is a top plan view thereof; and
 FIG. 6 is a bottom plan view thereof.

[56] **References Cited**

U.S. PATENT DOCUMENTS

D. 146,800 5/1947 Larson D16/9
 D. 147,930 11/1947 Shayne D16/9
 D. 217,304 4/1970 Doblin D16/1 X
 517,539 4/1894 Casler 354/121



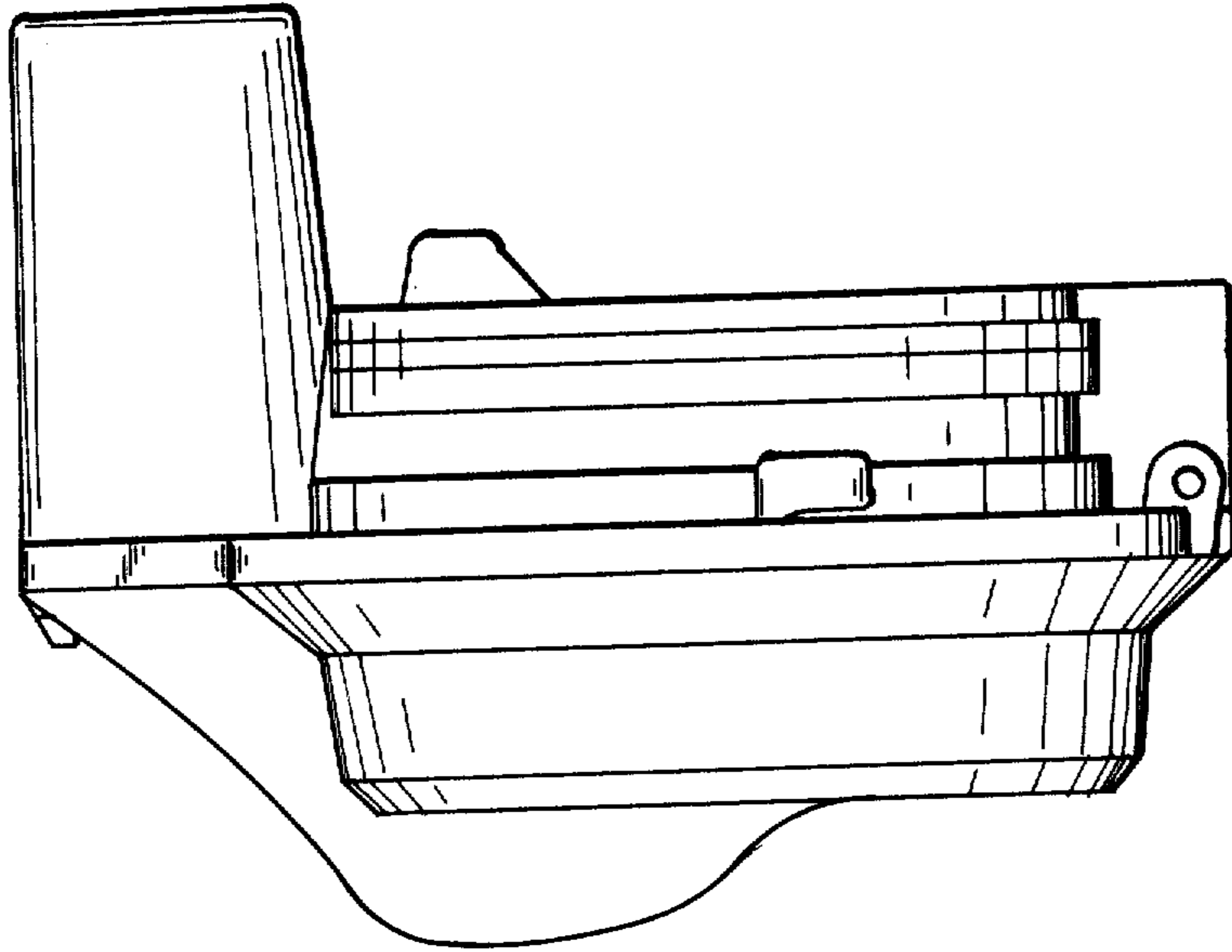


FIG. 1

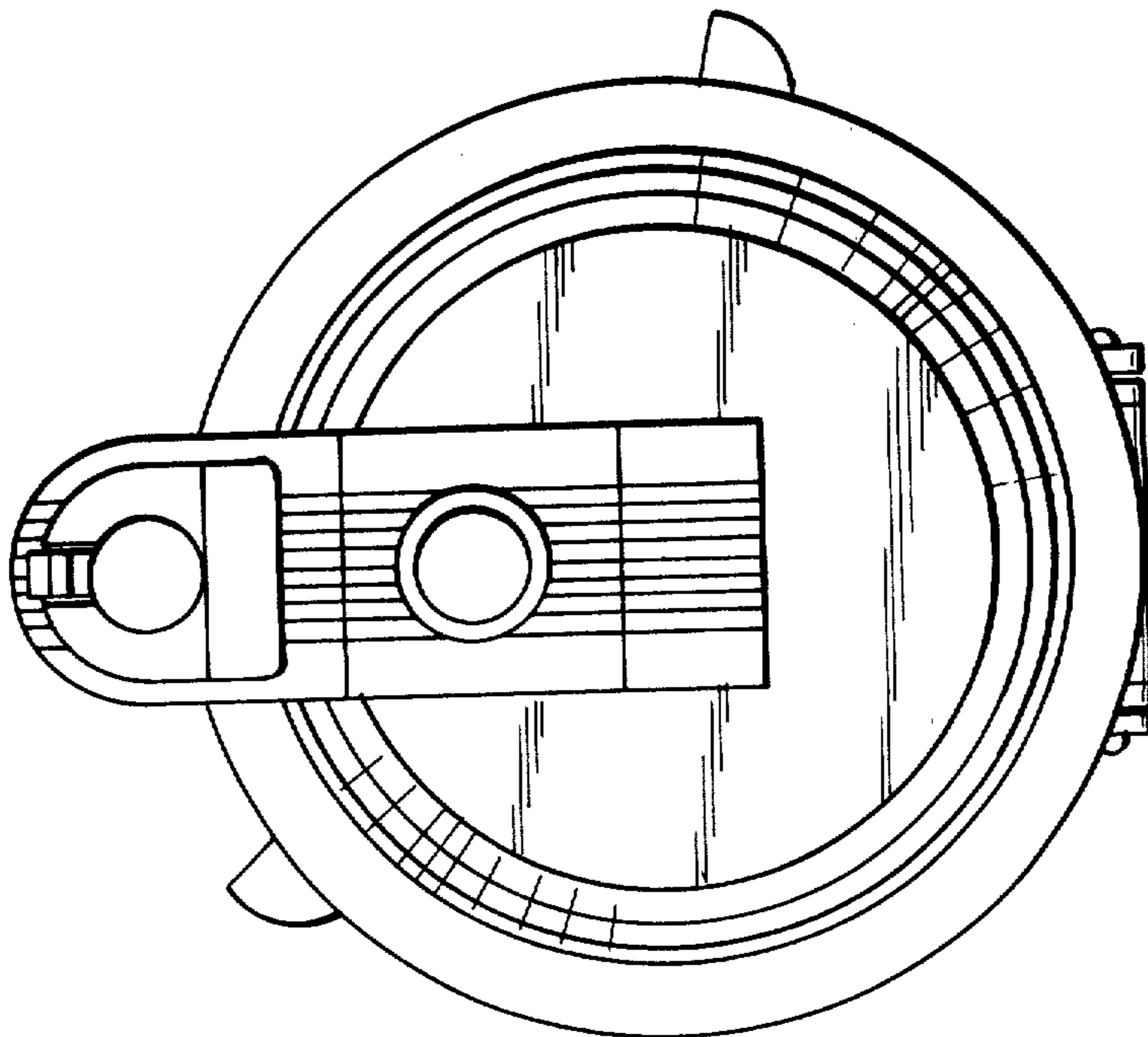


FIG. 2

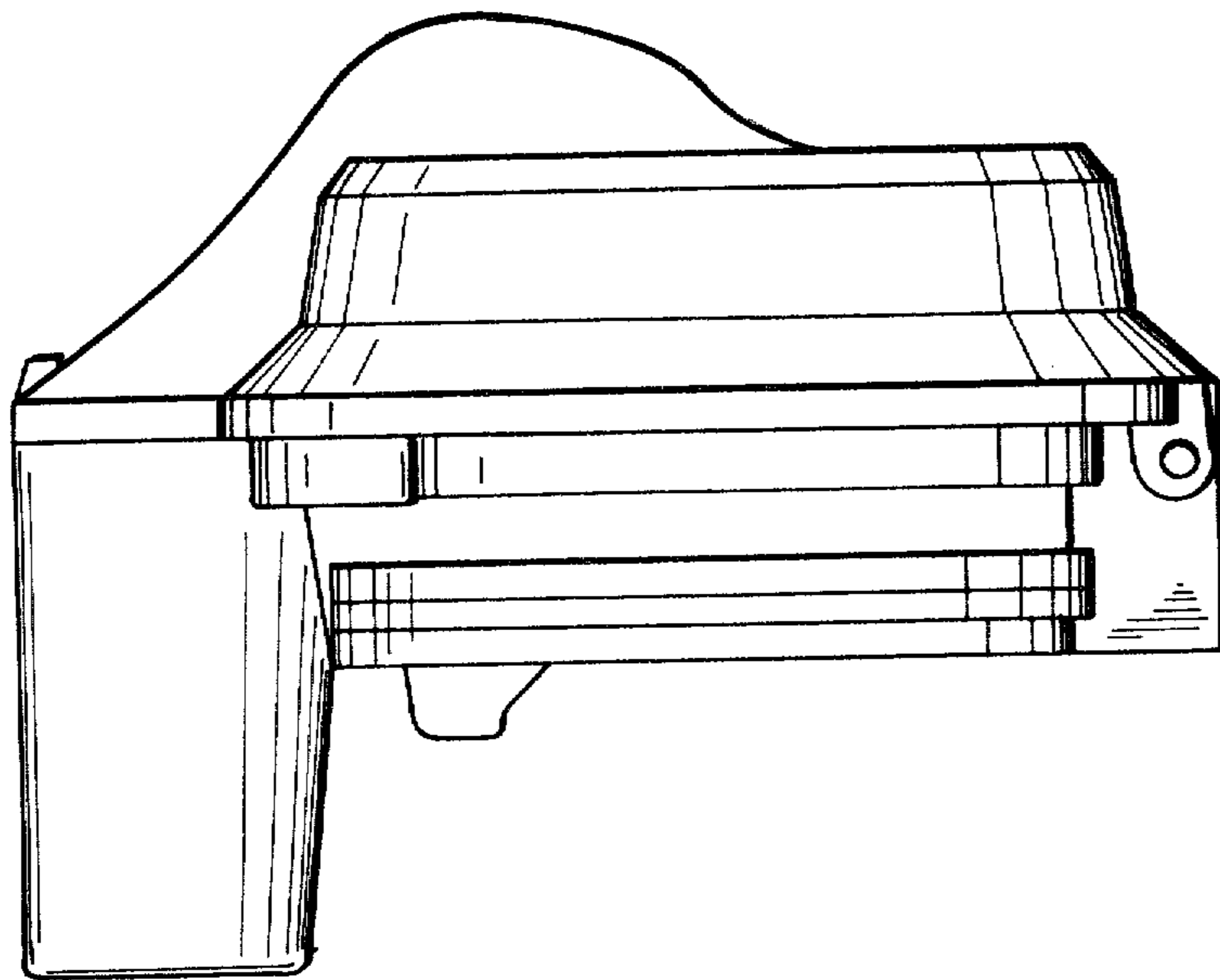


FIG. 3

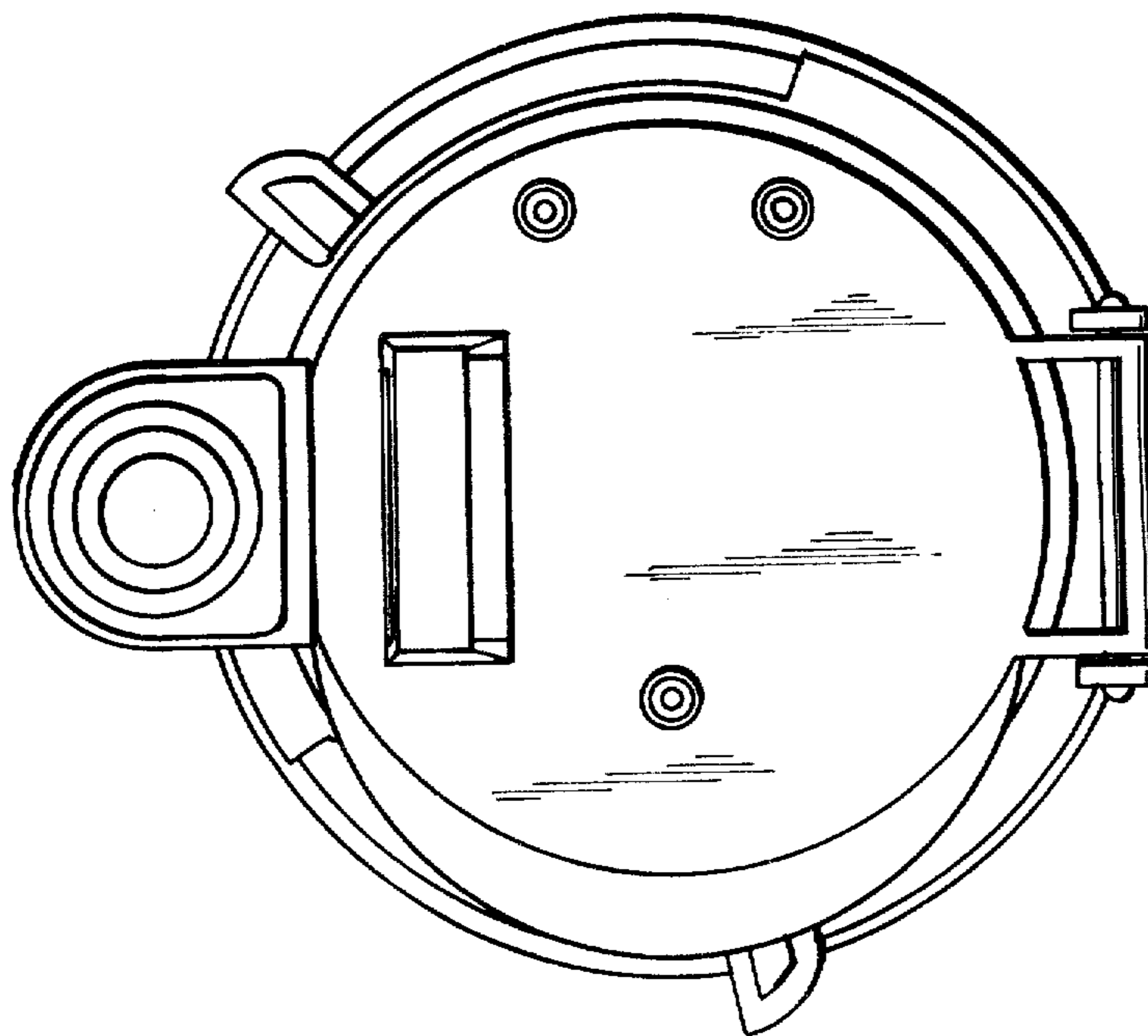


FIG. 4

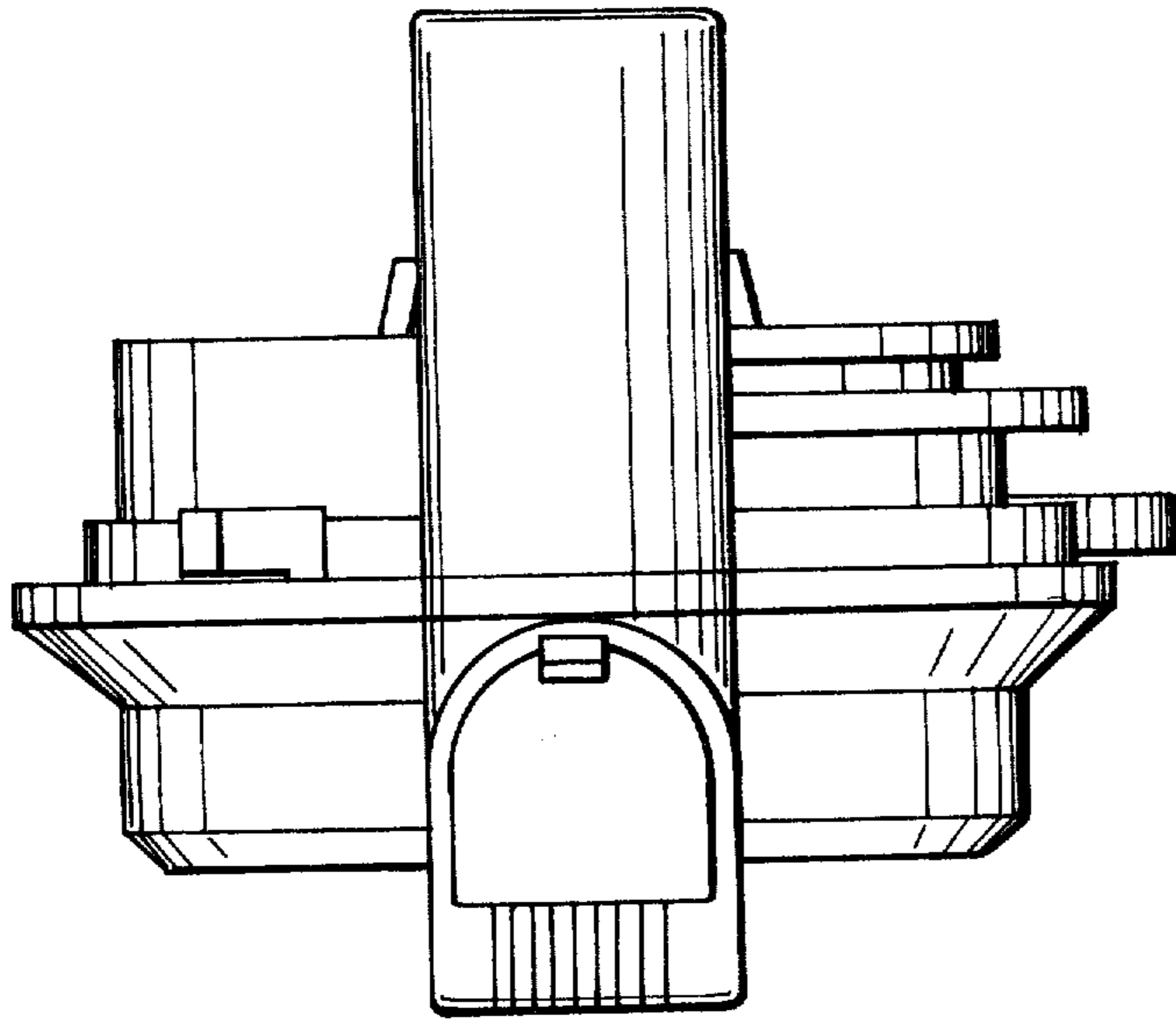


FIG. 5

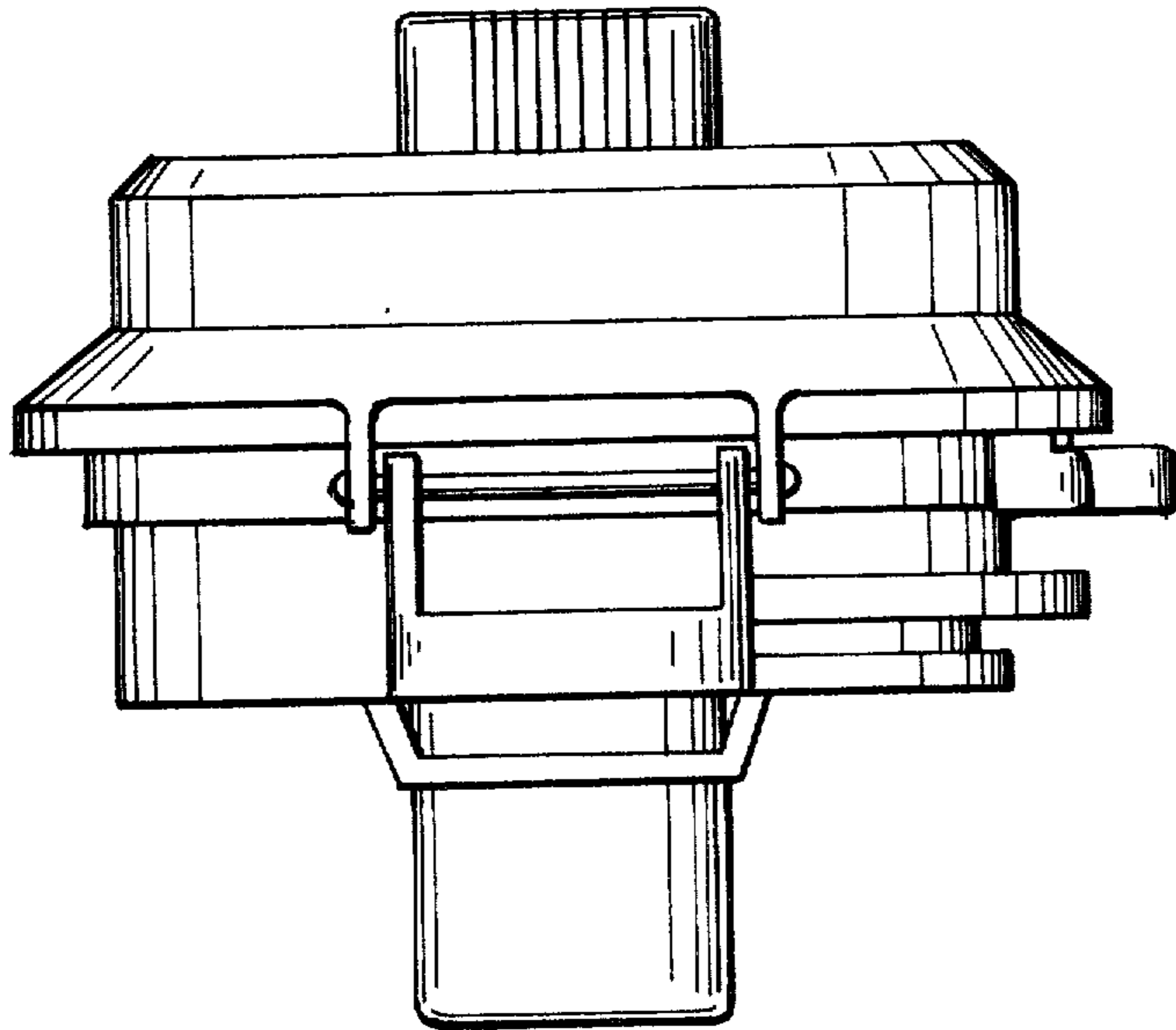


FIG. 6